

HERON WALL

FINISH

satin brass

DIMENSIONS (body of fixture)

114 x 145 x 200 mm (w x d x h)

WEIGHT

2kg (4.4lbs)

ILLUMINATION

220-240v - 1 x GU10 - 5.5w - 2700k - LED ONLY

110-130v - 1 x GU10 - 5.5w - 2700k - LED ONLY

DIMMING

dimmable bulb required

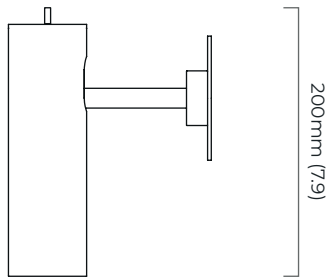
trailing edge dimmable / phase cut (rotary dimmer) - standard

DALI option available (220-240v only)

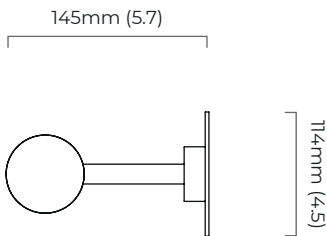
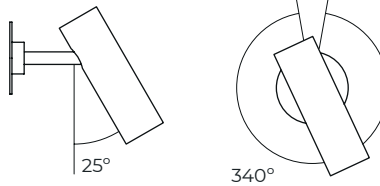
WALL ROSE / PLATE

round wall plate - \varnothing 114 x 5 mm (\varnothing x h)

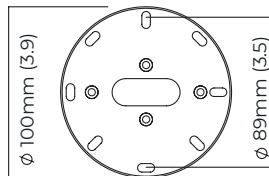
CERTIFICATION



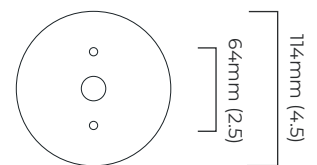
movable head



North America junction box cover



mounting plate dimensions



*Diagrams are not to scale.

SKU NUMBER	FINISH DESCRIPTION	VOLTAGE
HERWAOSB-240	satin brass	220 - 240V
HERWAOSB-110	satin brass	110 - 130V

HERON WALL - DALI-A

FINISH

satin brass

DIMENSIONS (body of fixture)

114 x 145 x 200 mm (w x d x h)

WEIGHT

2kg (4.4lbs)

ILLUMINATION

220-240v - 1 x GU10 - 5.5w - 2700k - LED ONLY
DALI converter to be installed in the cavity

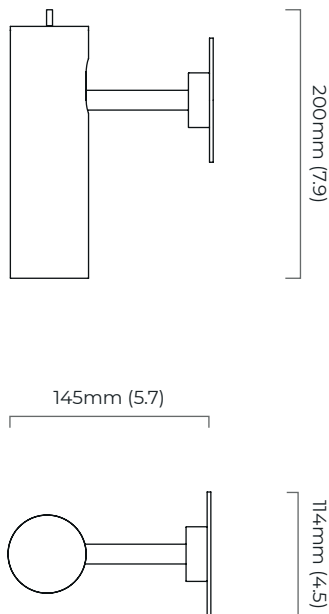
DIMMING

dimmable bulb required
DALI compatible

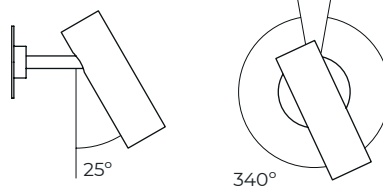
WALL ROSE / PLATE

round wall plate - \varnothing 114 x 5 mm (\varnothing x h)

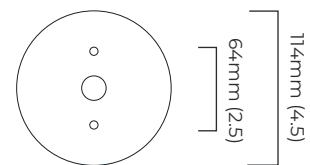
CERTIFICATION



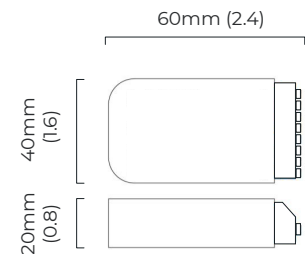
movable head



mounting plate dimensions



DALI converter dimensions



*Diagrams are not to scale.

SKU NUMBER	FINISH DESCRIPTION	TYPE OF DALI	VOLTAGE
HERWAOSB-DALIA-240	satin brass	DALI A included - For lights that do not require aesthetic alterations. Dali can be fitted inside the ceiling/wall cavity	220 - 240V

HERON WALL - DALI-B

FINISH

satin brass

DIMENSIONS (body of fixture)

114 x 170 x 200 mm (w x d x h)

WEIGHT

2kg (4.4lbs)

ILLUMINATION

220-240v - 1 x GU10 - 5.5w - 2700k - LED ONLY
DALI converter to be installed in the wall rose

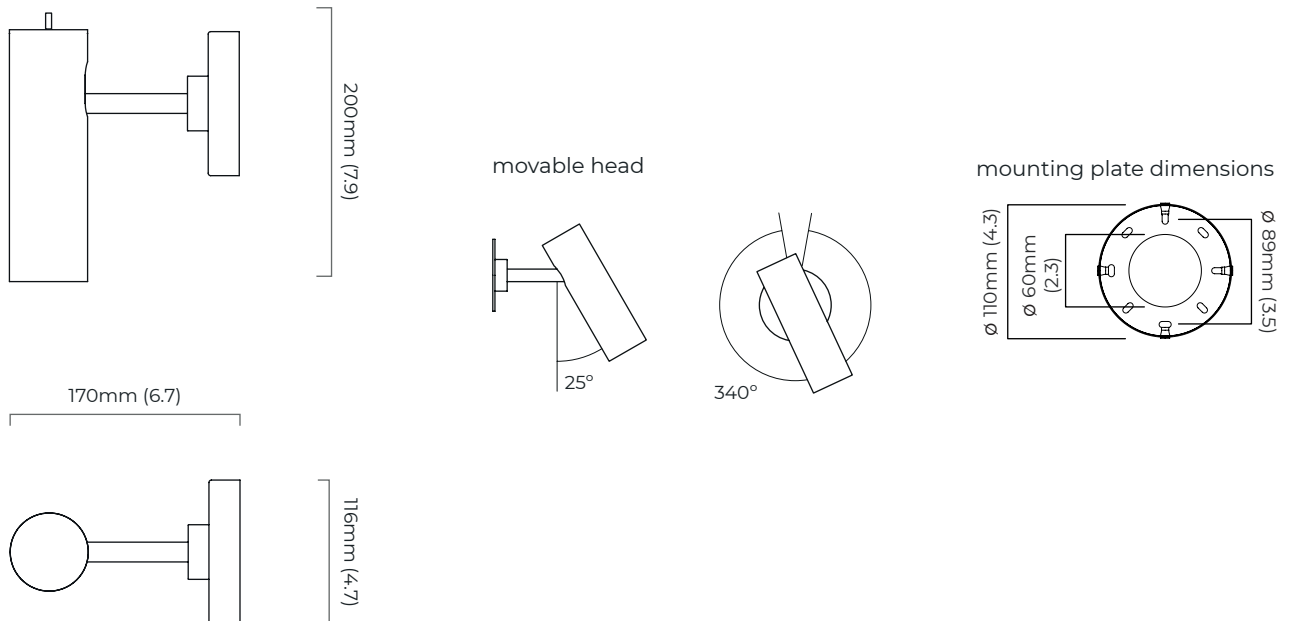
DIMMING

dimnable bulb required
DALI compatible

WALL ROSE / PLATE

round wall rose - \varnothing 116 x 25 mm (\varnothing x h)

CERTIFICATION



*Diagrams are not to scale.

SKU NUMBER	FINISH DESCRIPTION	TYPE OF DALI	VOLTAGE
HERWAOSB-DALIB-240	satin brass	DALI B included - The light will feature a deeper ceiling/wall rose. For use when there is no space in the existing ceiling/wall cavity	220 - 240V