

TINTO PENDANT (ROD)

FINISH

bronze shade and bronze details
 bronze shade and finial with satin brass drop rod and ceiling rose
 satin brass shade and finial with bronze drop rod and ceiling rose
 satin brass with satin brass details

DIMENSIONS (body of fixture)

∅ 450 x 145 mm (dia x h)

WEIGHT

7kg (15.4lbs)
 please ensure ceiling structure is strong enough to support the weight of the light

OVERALL DROP

minimum 265 mm
 maximum on request 6265 mm
 supplied with 1000 mm drop rod

ILLUMINATION

220-240v - integrated LED - 8w - 2700K
 110-130v - integrated LED - 8w - 2700K
 LED driver to be installed in the ceiling rose
 drivers must be installed up to 20 meters from the body of the light

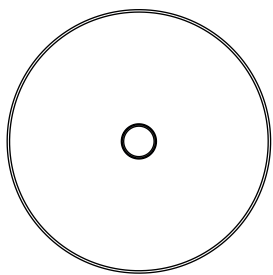
DIMMING

trailing edge dimmable / phase cut (rotary dimmer) - standard
 DALI option available (220-240v only)
 0/1-10v (220-240v or 110-130v) - on request

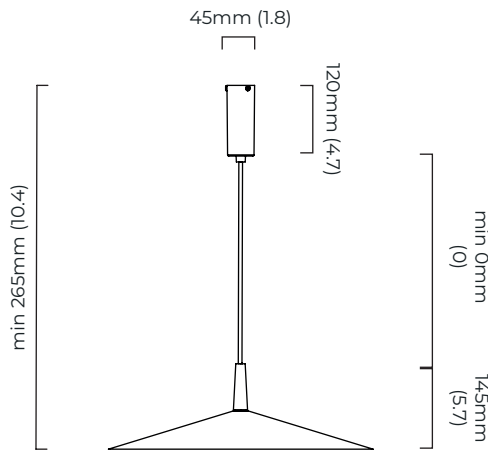
CEILING ROSE / PLATE

round ceiling rose - ∅ 45 x 120 mm (dia x h)

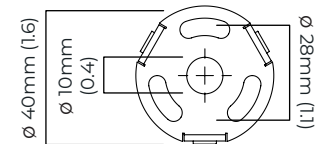
CERTIFICATION



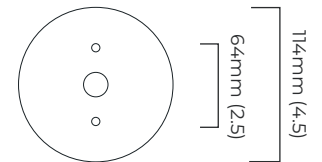
*Diagrams are not to scale.



mounting plate dimensions



North America junction box cover



SKU NUMBER	FINISH DESCRIPTION	VOLTAGE
TINPEMBZBZ-240	bronze shade and bronze details	220 - 240V
TINPEMBZSB-240	bronze shade and finial with satin brass drop rod and ceiling rose	220 - 240V
TINPEMSBBZ-240	satin brass shade and finial with bronze drop rod and ceiling rose	220 - 240V
TINPEMSBSB-240	satin brass with satin brass details	220 - 240V
TINPEMBZBZ-110	bronze shade and bronze details	110 - 130v
TINPEMBZSB-110	bronze shade and finial with satin brass drop rod and ceiling rose	110 - 130v
TINPEMSBBZ-110	satin brass shade and finial with bronze drop rod and ceiling rose	110 - 130v
TINPEMSBSB-110	satin brass with satin brass details	110 - 130v

TINTO PENDANT (ROD) - DALI-A

FINISH

bronze shade and bronze details
 bronze shade and finial with satin brass drop rod and ceiling rose
 satin brass shade and finial with bronze drop rod and ceiling rose
 satin brass with satin brass details

DIMENSIONS (body of fixture)

ø 450 x 145 mm (dia x h)

WEIGHT

7kg (15.4lbs)

please ensure ceiling structure is strong enough to support the weight of the light

OVERALL DROP

minimum 265 mm

maximum on request 6265 mm

supplied with 1000 mm drop rod

ILLUMINATION

integrated LED - 8w - 2700K

DALI convertter to be installed in the ceiling cavity

drivers must be installed up to 20 meters from the body of the light

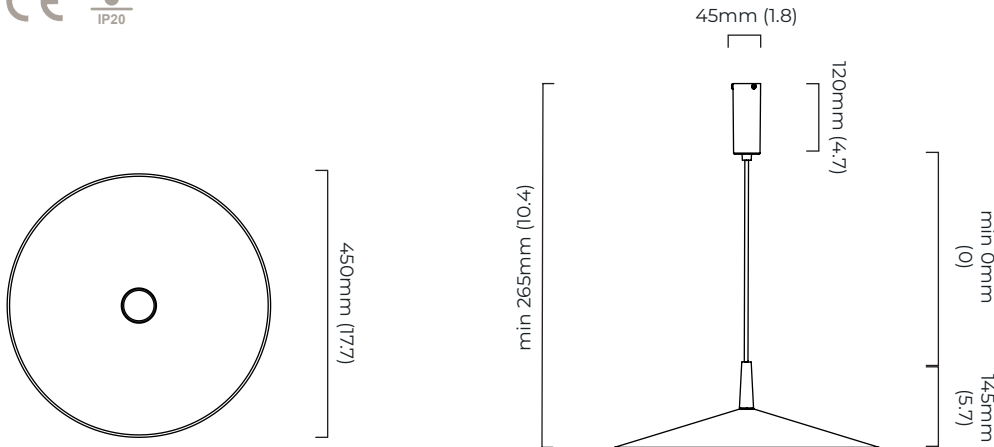
DIMMING

DALI compatible

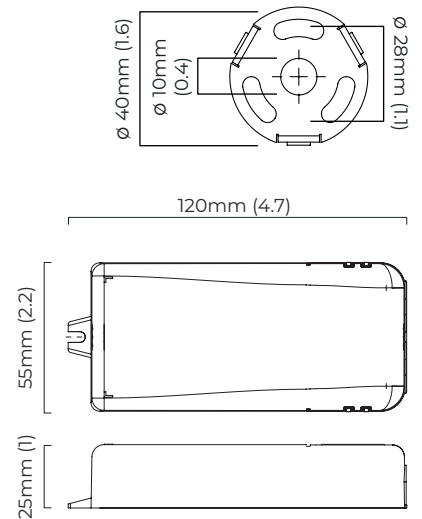
CEILING ROSE / PLATE

round ceiling rose - ø 45 x 120 mm (dia x h)

CERTIFICATION



mounting plate dimensions



*Diagrams are not to scale.

SKU NUMBER	FINISH DESCRIPTION	TYPE OF DALI	VOLTAGE
TINPEMBZBZ-DALIA-240	bronze shade and bronze details	DALI A included - For lights that do not require aesthetic alterations. Dali can be fitted inside the ceiling/wall cavity	220 - 240V
TINPEMBZSB-DALIA-240	bronze shade and finial with satin brass drop rod and ceiling rose	DALI A included - For lights that do not require aesthetic alterations. Dali can be fitted inside the ceiling/wall cavity	220 - 240V
TINPEMSBBZ-DALIA-240	satin brass shade and finial with bronze drop rod and ceiling rose	DALI A included - For lights that do not require aesthetic alterations. Dali can be fitted inside the ceiling/wall cavity	220 - 240V
TINPEMSBSB-DALIA-240	satin brass with satin brass details	DALI A included - For lights that do not require aesthetic alterations. Dali can be fitted inside the ceiling/wall cavity	220 - 240V

TINTO PENDANT (ROD) - DALI-B

FINISH

bronze shade and bronze details
 bronze shade and finial with satin brass drop rod and ceiling rose
 satin brass shade and finial with bronze drop rod and ceiling rose
 satin brass with satin brass details

DIMENSIONS (body of fixture)

∅ 450 x 145 mm (dia x h)

WEIGHT

7kg (15.4lbs)

please ensure ceiling structure is strong enough to support the weight of the light

OVERALL DROP

minimum 180 mm

maximum on request 6180 mm

supplied with 1000 mm drop rod

ILLUMINATION

integrated LED - 8w - 2700K

DALI converter to be installed in the ceiling rose

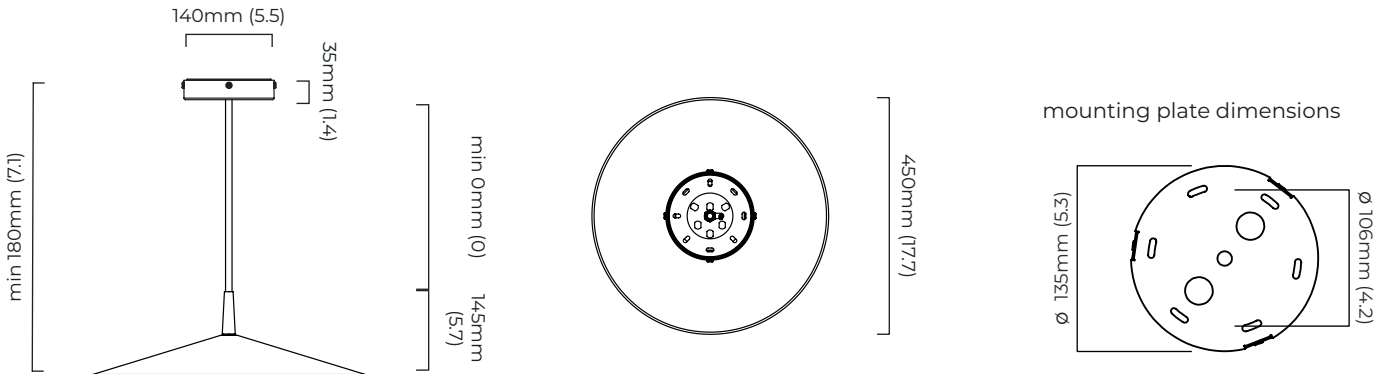
DIMMING

DALI compatible

CEILING ROSE / PLATE

round ceiling rose - ∅ 140 x 35 mm (dia x h)

CERTIFICATION



*Diagrams are not to scale.

SKU NUMBER	FINISH DESCRIPTION	TYPE OF DALI	VOLTAGE
TINPEMBZBZ-DALIB-240	bronze shade and bronze details	DALI B included - The light will feature a deeper ceiling/wall rose. For use when there is no space in the existing ceiling/wall cavity.	220 - 240V
TINPEMBZSB-DALIB-240	bronze shade and finial with satin brass drop rod and ceiling rose	DALI B included - The light will feature a deeper ceiling/wall rose. For use when there is no space in the existing ceiling/wall cavity.	220 - 240V
TINPEMSBBZ-DALIB-240	satin brass shade and finial with bronze drop rod and ceiling rose	DALI B included - The light will feature a deeper ceiling/wall rose. For use when there is no space in the existing ceiling/wall cavity.	220 - 240V
TINPEMSBSB-DALIB-240	satin brass with satin brass details	DALI B included - The light will feature a deeper ceiling/wall rose. For use when there is no space in the existing ceiling/wall cavity.	220 - 240V