

RING TALL WALL

FINISH

bronze
satin brass
satin nickel

DIMENSIONS (body of fixture)

120 x 130 x 540 mm (w x d x h)

WEIGHT

7kg (15.4lbs)

ILLUMINATION

220-240v - 4 x G9 - 25w max halogen (or 2.3w LED 2700k)
110-130v - 4 x G9 - 25w max halogen (or 2.3w LED 2700k)

DIMMING

dimnable bulb required
trailing edge dimmable / phase cut (rotary dimmer) - standard
DALI option available (220-240v only)

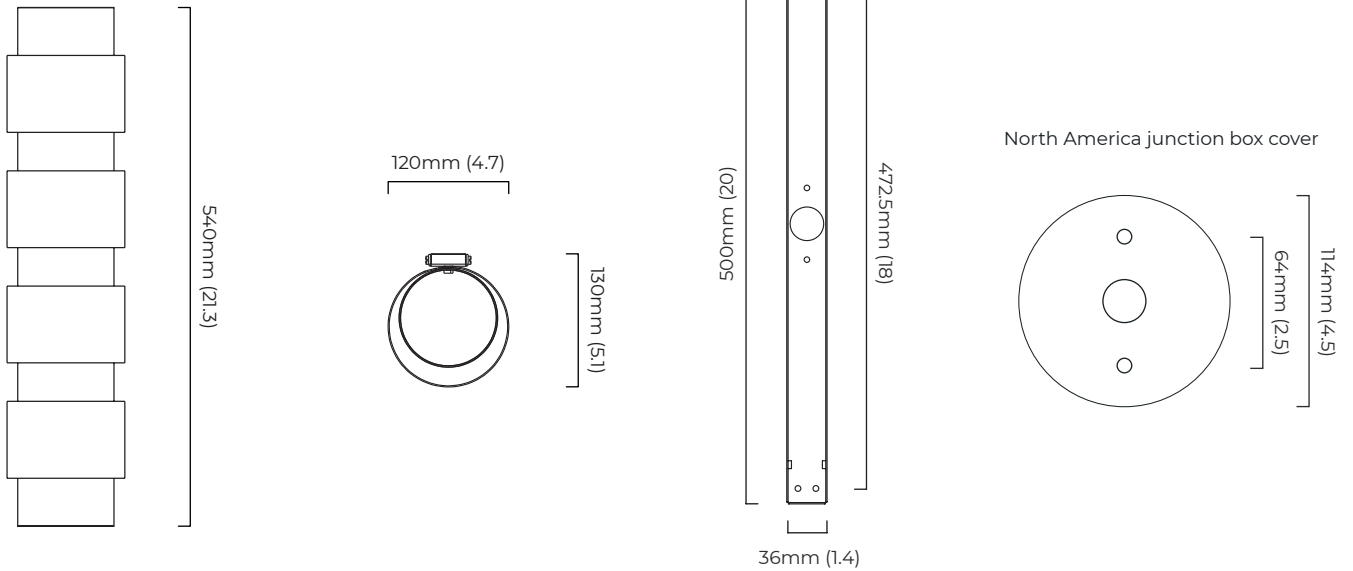
WALL ROSE / PLATE

rectangular wall box - 40 x 15 x 505 mm (w x d x h)

CERTIFICATION



mounting plate dimensions



*Diagrams are not to scale.

SKU NUMBER	FINISH DESCRIPTION	VOLTAGE
RINWATBZ-240	bronze	220 - 240V
RINWATSB-240	satin brass	220 - 240V
RINWATSN-240	satin nickel	220 - 240V
RINWATBZ-110	bronze	110 - 130V
RINWATSB-110	satin brass	110 - 130V
RINWATSN-110	satin nickel	110 - 130V

RING TALL WALL - DALI-A

FINISH

bronze
satin brass
satin nickel

DIMENSIONS (body of fixture)

120 x 130 x 540 mm (w x d x h)

WEIGHT

7kg (15.4lbs)

ILLUMINATION

220-240v - 4 x G9 - 25w max halogen (or 2.3w LED 2700k)
DALI converter to be installed in the cavity

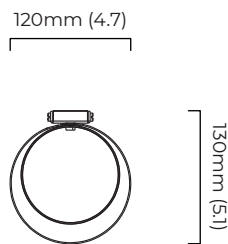
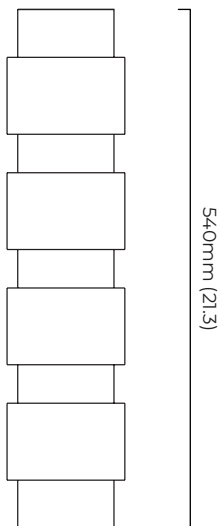
DIMMING

dimnable bulb required
DALI compatible

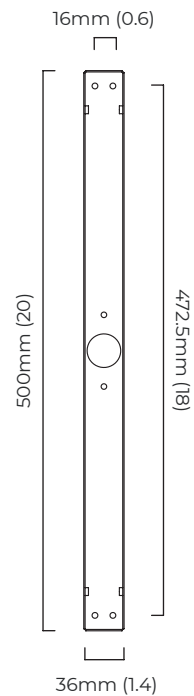
WALL ROSE / PLATE

rectangular wall box - 40 x 15 x 505 mm (w x d x h)

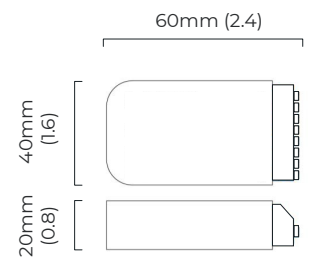
CERTIFICATION



mounting plate dimensions



DALI converter dimensions



*Diagrams are not to scale.

SKU NUMBER	FINISH DESCRIPTION	TYPE OF DALI	VOLTAGE
RINWATBZ-DALIA-240	bronze	DALI A included - For lights that do not require aesthetic alterations. Dali can be fitted inside the ceiling/wall cavity	220 - 240V
RINWATSB-DALIA-240	satin brass	DALI A included - For lights that do not require aesthetic alterations. Dali can be fitted inside the ceiling/wall cavity	220 - 240V
RINWATSN-DALIA-240	satin nickel	DALI A included - For lights that do not require aesthetic alterations. Dali can be fitted inside the ceiling/wall cavity	220 - 240V