

LUNAR PENDANT LARGE

FINISH

bronze with satin brass and bronze oval chain

DIMENSIONS (body of fixture)

800 x 480 x 800 mm (w x d x h)

WEIGHT

15kg (33.1lbs)

please ensure ceiling structure is strong enough to support the weight of the light

OVERALL DROP

minimum 875 mm

maximum on request 6825 mm

supplied with 1000 mm drop rod

ILLUMINATION

220-240v - 1 x E27 - 12.5w PAR 30 2700k LED ONLY

110-130v - 1 x E26 - 12.5w PAR 30 2700k LED ONLY

DIMMING

dimnable bulb required

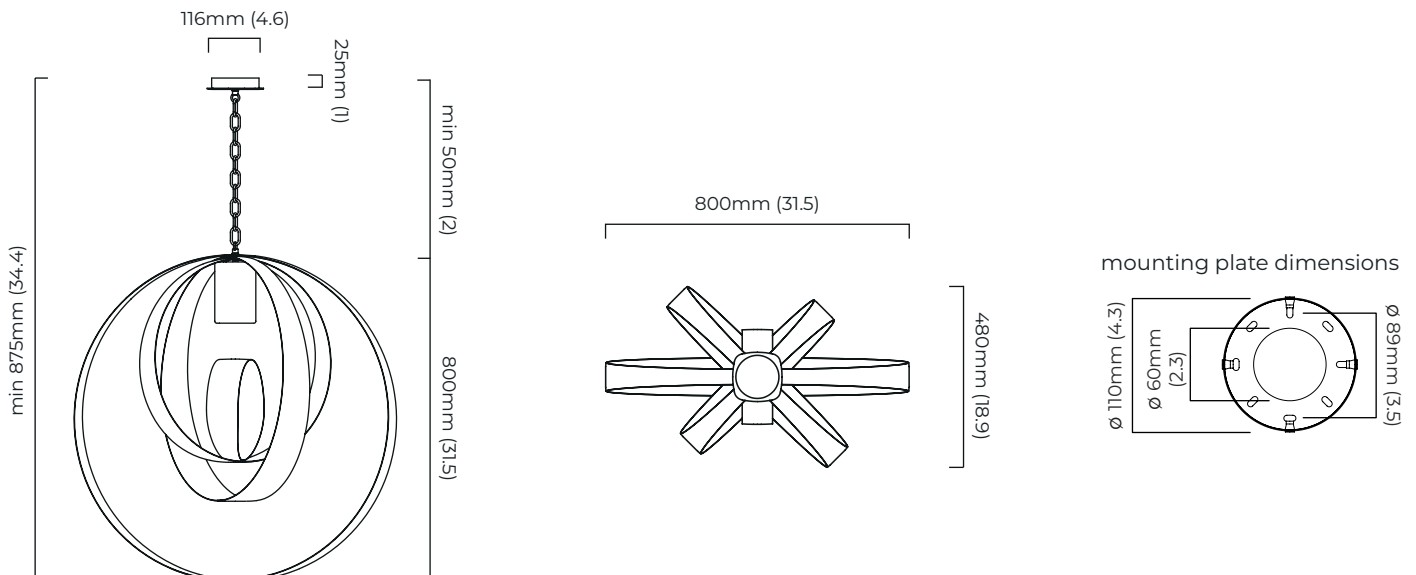
trailing edge dimmable / phase cut (rotary dimmer) - standard

DALI option available (220-240v only)

CEILING ROSE / PLATE

round ceiling rose - \varnothing 116 x 25 mm (dia x h)

CERTIFICATION



*Diagrams are not to scale.

SKU NUMBER	FINISH DESCRIPTION	VOLTAGE
LUNPELBZSB-240	bronze with satin brass and bronze oval chain	220 - 240V
LUNPELBZSB-110	bronze with satin brass and bronze oval chain	110 - 130v

LUNAR PENDANT LARGE - DALI-A

FINISH

bronze with satin brass and bronze oval chain

DIMENSIONS (body of fixture)

800 x 480 x 800 mm (w x d x h)

WEIGHT

15kg (33.1lbs)

please ensure ceiling structure is strong enough to support the weight of the light

OVERALL DROP

minimum 875 mm

maximum on request 6825 mm

supplied with 1000 mm drop rod

ILLUMINATION

220-240v - 1 x E27 - 12.5w PAR 30 2700k LED ONLY

DALI converter to be installed in the ceiling rose

DIMMING

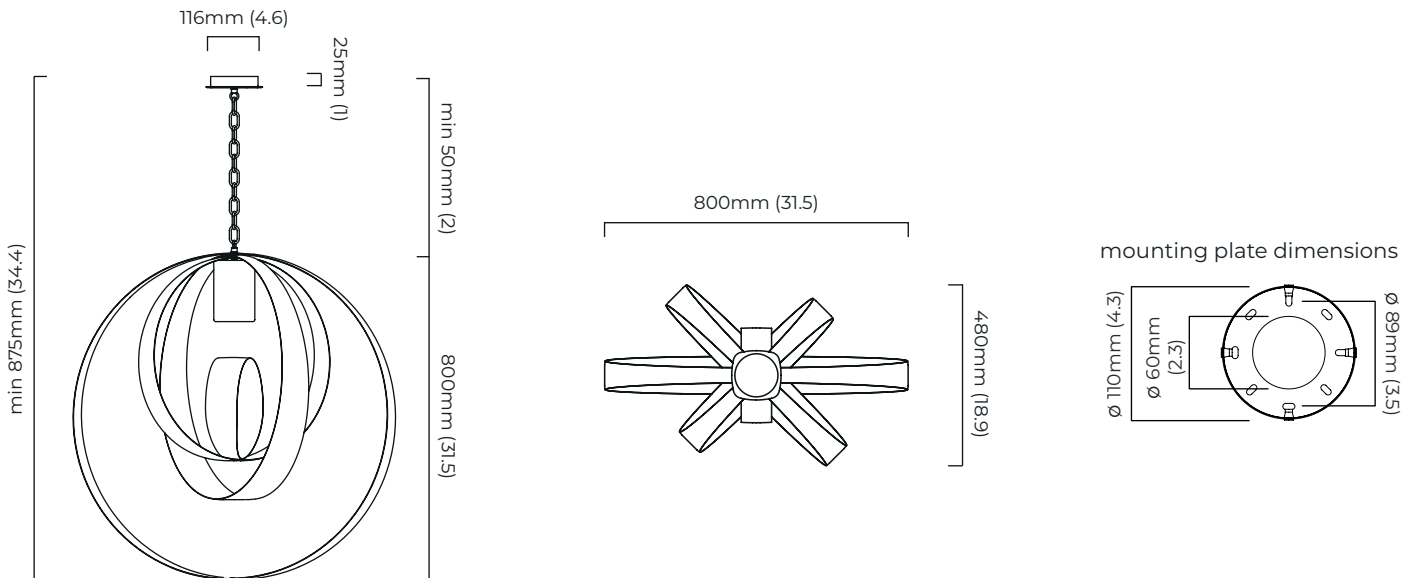
dimnable bulb required

DALI compatible

CEILING ROSE / PLATE

round ceiling rose - \varnothing 116 x 25 mm (dia x h)

CERTIFICATION



*Diagrams are not to scale.

SKU NUMBER	FINISH DESCRIPTION	TYPE OF DALI	VOLTAGE
LUNPELBZSB-DALIA-240	bronze with satin brass and bronze oval chain	DALI A included - For lights that do not require aesthetic alterations. Dali can be fitted in the existent ceiling/wall rose	220 - 240V