

LUCID CEILING / WALL FLUSH 300

FINISH

honed alabaster and bronze base
 honed alabaster and satin brass base
 honed alabaster and oxidised silvered brass base

DIMENSIONS (body of fixture)

ø 300 x 280 mm (dia x h)

WEIGHT

9kg (19.8lbs)

ILLUMINATION

220-240v - 1 x E27 - 8w 2700k LED ONLY
 110-130v - 1 x E26 - 6.5w 2700k LED ONLY

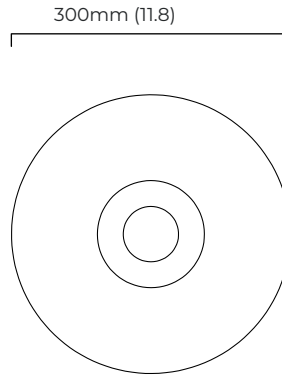
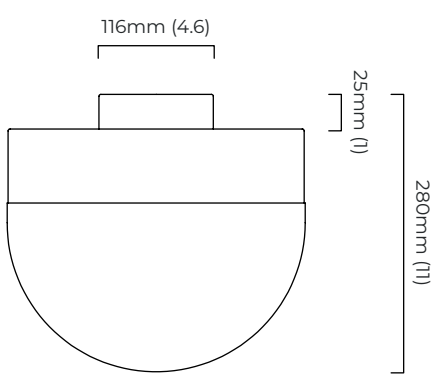
DIMMING

dimnable bulb required
 trailing edge dimmable / phase cut (rotary dimmer) - standard
 DALI option available (220-240v only)

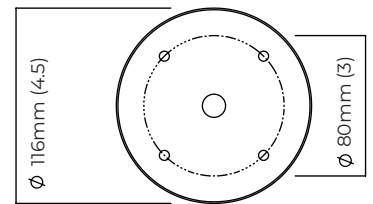
CEILING ROSE / PLATE

round ceiling rose - ø 116 x 25 mm (dia x h)

CERTIFICATION



mounting plate dimensions



*Diagrams are not to scale.

SKU NUMBER	FINISH DESCRIPTION	VOLTAGE
LUCCW3BZHA-240	honed alabaster and bronze base	220 - 240V
LUCCW3SBHA-240	honed alabaster and satin brass base	220 - 240V
LUCCW3OSHA-240	honed alabaster and oxidised silvered brass base	220 - 240V
LUCCW3BZHA-110	honed alabaster and bronze base	110 - 130V
LUCCW3SBHA-110	honed alabaster and satin brass base	110 - 130V
LUCCW3OSHA-110	honed alabaster and oxidised silvered brass base	110 - 130V

LUCID CEILING / WALL FLUSH 300 - DALI-A

FINISH

honed alabaster and bronze base
 honed alabaster and satin brass base
 honed alabaster and oxidised silvered brass base

DIMENSIONS (body of fixture)

ø 200 x 200 mm (dia x h)

WEIGHT

4kg (8.8lbs)

ILLUMINATION

220-240v - 1 x E14 - 6.5w 2700k LED ONLY
 DALI converter to be installed in the cavity

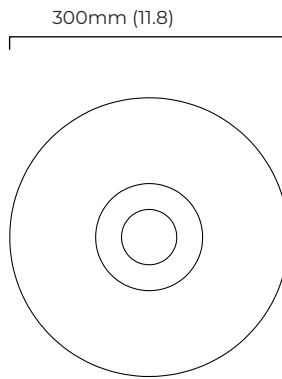
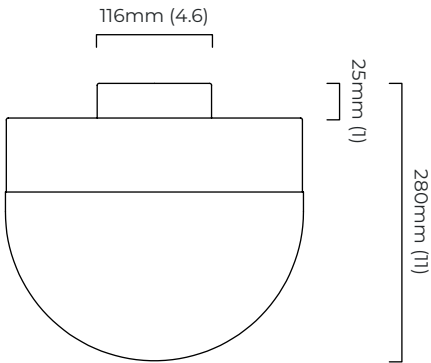
DIMMING

dimnable bulb required
 DALI compatible

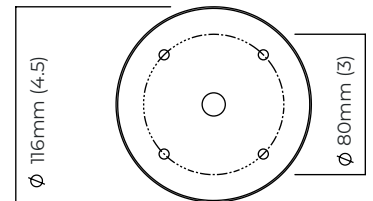
CEILING / WALL PLATE

round ceiling rose - ø 116 x 25 mm (dia x h)

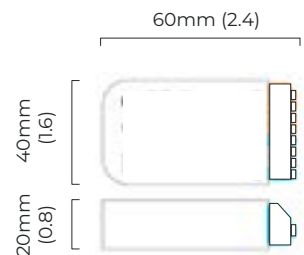
CERTIFICATION



mounting plate dimensions



DALI converter dimensions



*Diagrams are not to scale.

SKU NUMBER	FINISH DESCRIPTION	TYPE OF DALI	VOLTAGE
LUCCW3BZHA-DALIA-240	honed alabaster and bronze base	DALI A included - For lights that do not require aesthetic alterations. Dali can be fitted inside the ceiling/wall cavity	220 - 240V
LUCCW3SBHA-DALIA-240	honed alabaster and satin brass base	DALI A included - For lights that do not require aesthetic alterations. Dali can be fitted inside the ceiling/wall cavity	220 - 240V
LUCCW3OSHA-DALIA-240	honed alabaster and oxidised silvered brass base	DALI A included - For lights that do not require aesthetic alterations. Dali can be fitted inside the ceiling/wall cavity	220 - 240V