

ARRAY PENDANT MINI

FINISH

bronze with satin brass details and opal glass shades

DIMENSIONS (body of fixture)

750 x 750 x 425 mm (w x d x h)

WEIGHT

7kg (15.4lbs)

please ensure ceiling structure is strong enough to support the weight of the light

OVERALL DROP

minimum 425 mm

maximum on request 6450 mm

please specify the required overall drop from the ceiling to the bottom of the fitting

ILLUMINATION

220-240v - 3 x G9 - 25w (or 2.5w 2700k)

110-130v - 3 x G9 - 25w (or 2.5w 2700k)

DIMMING

dimnable bulb required

trailing edge dimmable / phase cut (rotary dimmer) - standard

DALI option available (220-240v only)

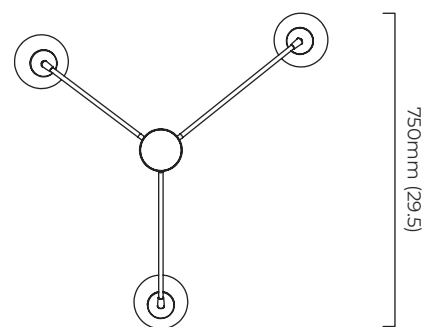
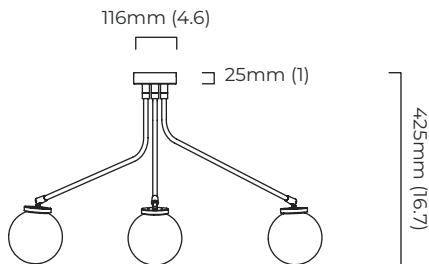
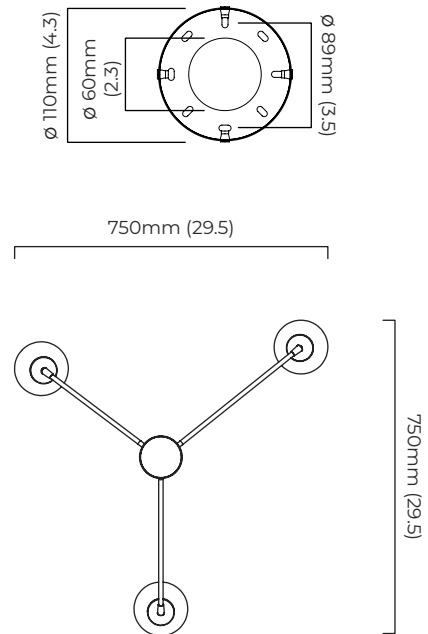
CEILING ROSE / PLATE

round ceiling rose - \varnothing 116 x 25 mm (dia x h)

CERTIFICATION



mounting plate dimensions



*Diagrams are not to scale.

SKU NUMBER	FINISH DESCRIPTION	VOLTAGE
ARRPESBZOG-240	bronze with satin brass details and opal glass shades	220 - 240V
ARRPESBZOG-110	bronze with satin brass details and opal glass shades	110 - 130v

ARRAY PENDANT MINI - DALI-A

FINISH

bronze with satin brass details and opal glass shades

DIMENSIONS (body of fixture)

750 x 750 x 425 mm (w x d x h)

WEIGHT

7kg (15.4lbs)

please ensure ceiling structure is strong enough to support the weight of the light

OVERALL DROP

minimum 425 mm

maximum on request 6450 mm

please specify the required overall drop from the ceiling to the bottom of the fitting

ILLUMINATION

220-240v - 3 x G9 - 25w (or 2.5w 2700k)

DALI converter to be installed in the ceiling rose

DIMMING

dimmable bulb required

DALI compatible

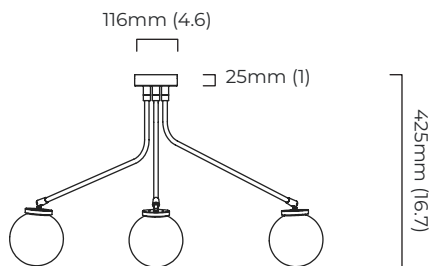
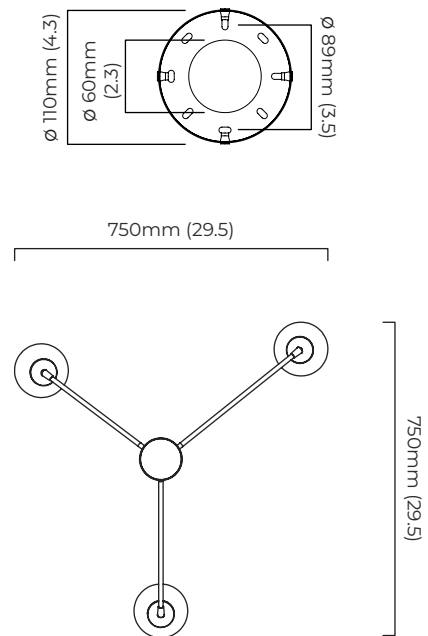
CEILING ROSE / PLATE

round ceiling rose - \varnothing 116 x 25 mm (dia x h)

CERTIFICATION



mounting plate dimensions



*Diagrams are not to scale.

SKU NUMBER	FINISH DESCRIPTION	TYPE OF DALI	VOLTAGE
ARRPESBZOG-DALIA-240	bronze with satin brass details and opal glass shades	DALI A included - For lights that do not require aesthetic alterations. Dali can be fitted on the existent ceiling/wall rose.	220 - 240V

ARRAY PENDANT MINI - EXTENSION KIT

FINISH

bronze with satin brass details

DIMENSIONS (length of the extension)

1000 mm

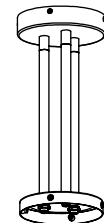
OVERALL DROP

standard size 1000 mm
 minimum recommended 300 mm
 maximum on request 4000 mm
 please specify total drop upon request

CERTIFICATION



150mm (5.9)



1000mm (39.3)



*Diagrams are not to scale.

SKU NUMBER	FINISH DESCRIPTION	VOLTAGE
ACCGENEXOSBZ	bronze with satin brass details	220 - 240V