

# WALDORF WALL LARGE HARDWIRE

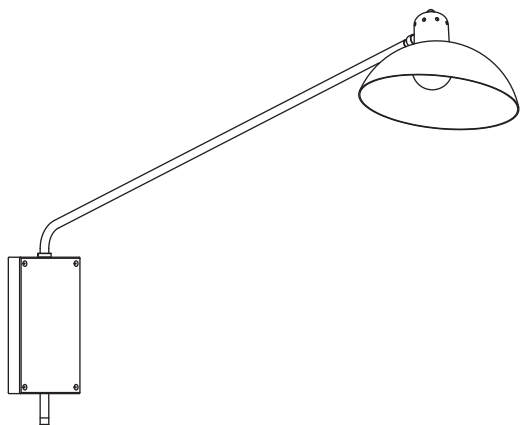
1 x 

4 x 

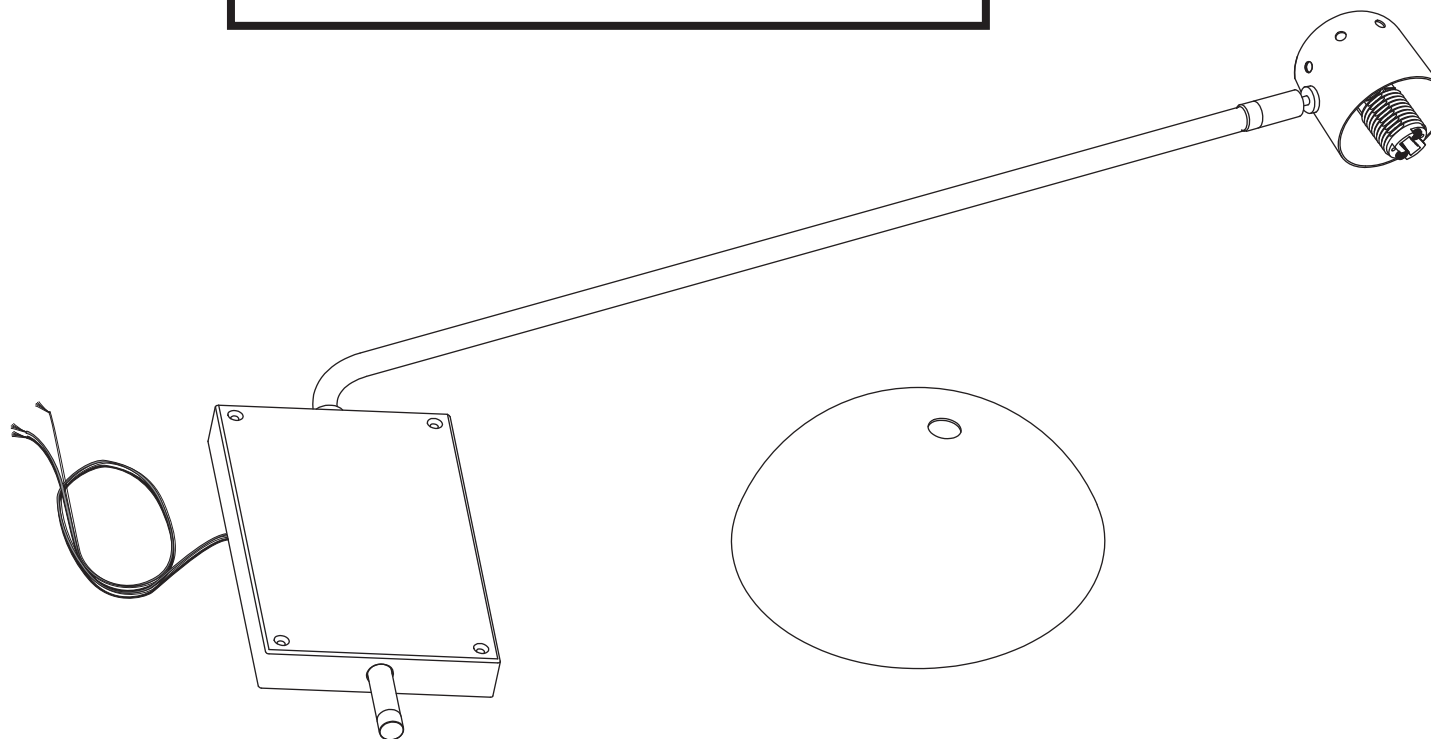
1 x 

4.5W

1 x   
G60

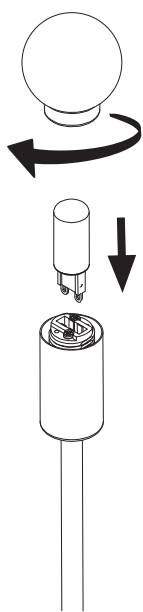


- To be installed by an electrician to an electrical box
- Use appropriate screws and anchors where necessary
- Wear enclosed gloves when handling lamp
- Handle materials with care. Please consult lamp maintenance sheet on our web site

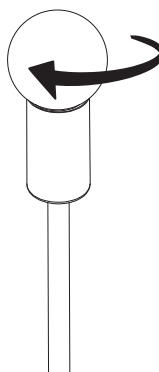




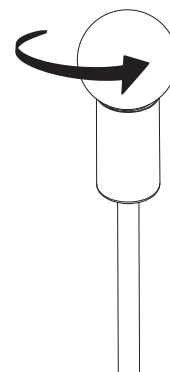
**Important steps to follow when installing a glass globe**



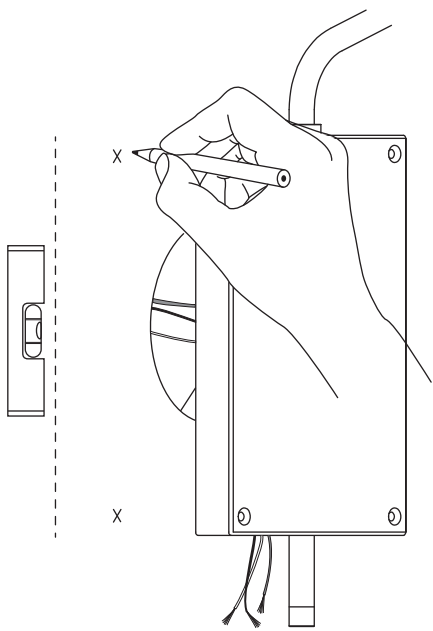
Insert bulb.



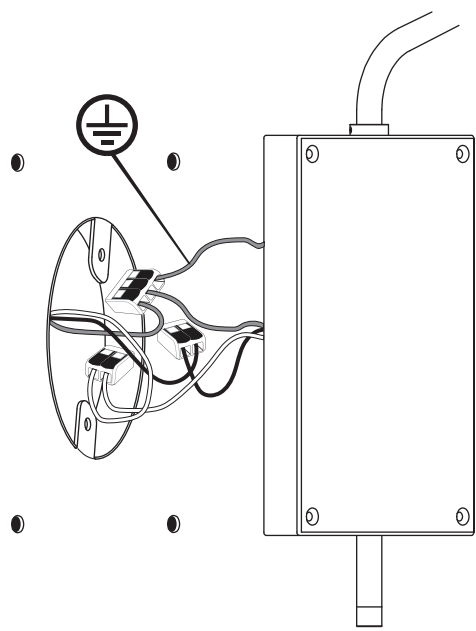
Screw in globe gently until it is tight.  
Do not force the globe.



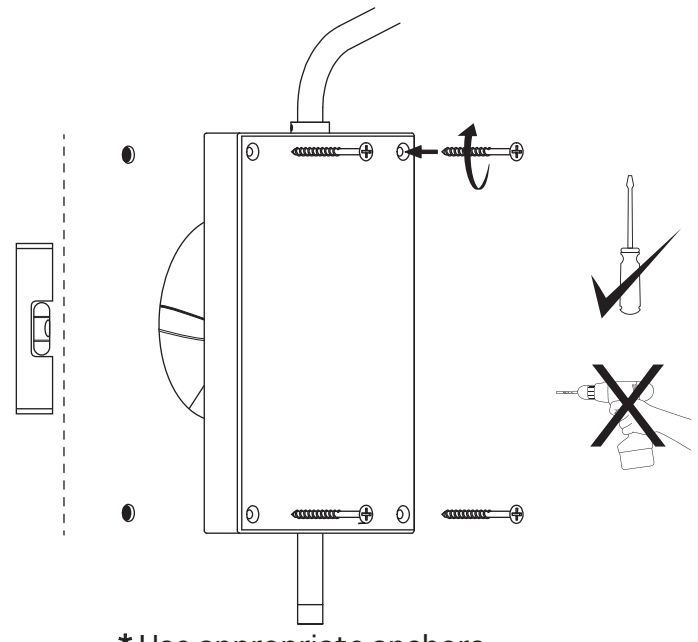
Unscrew bulb slightly 1/2 turn.



**1**

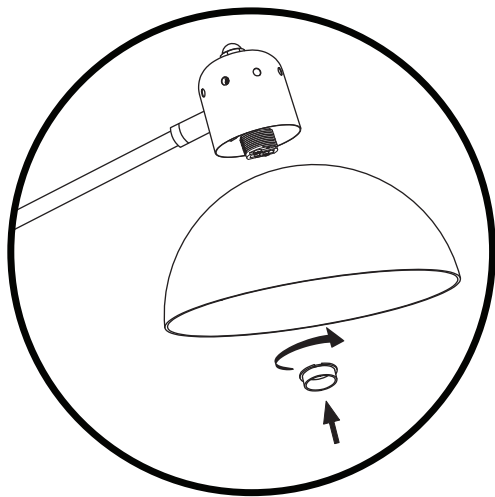


**2**

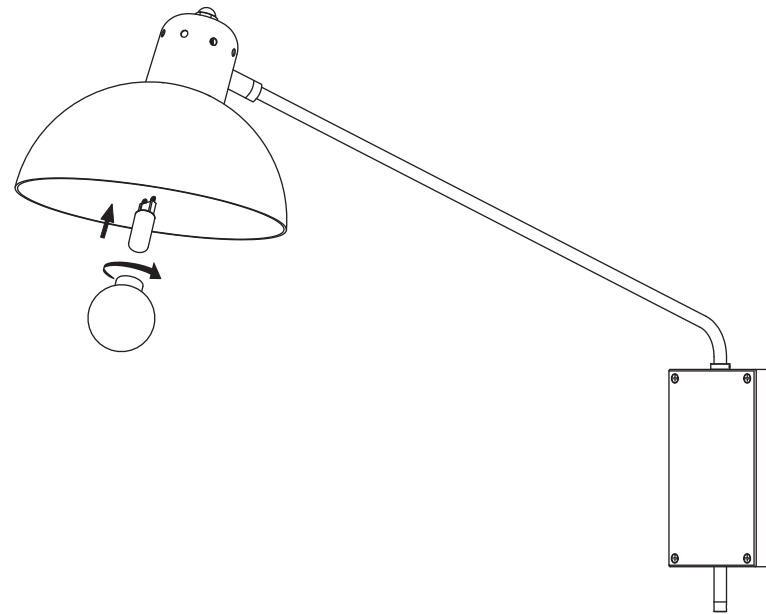


\* Use appropriate anchors

**3**



**4**



**5**

