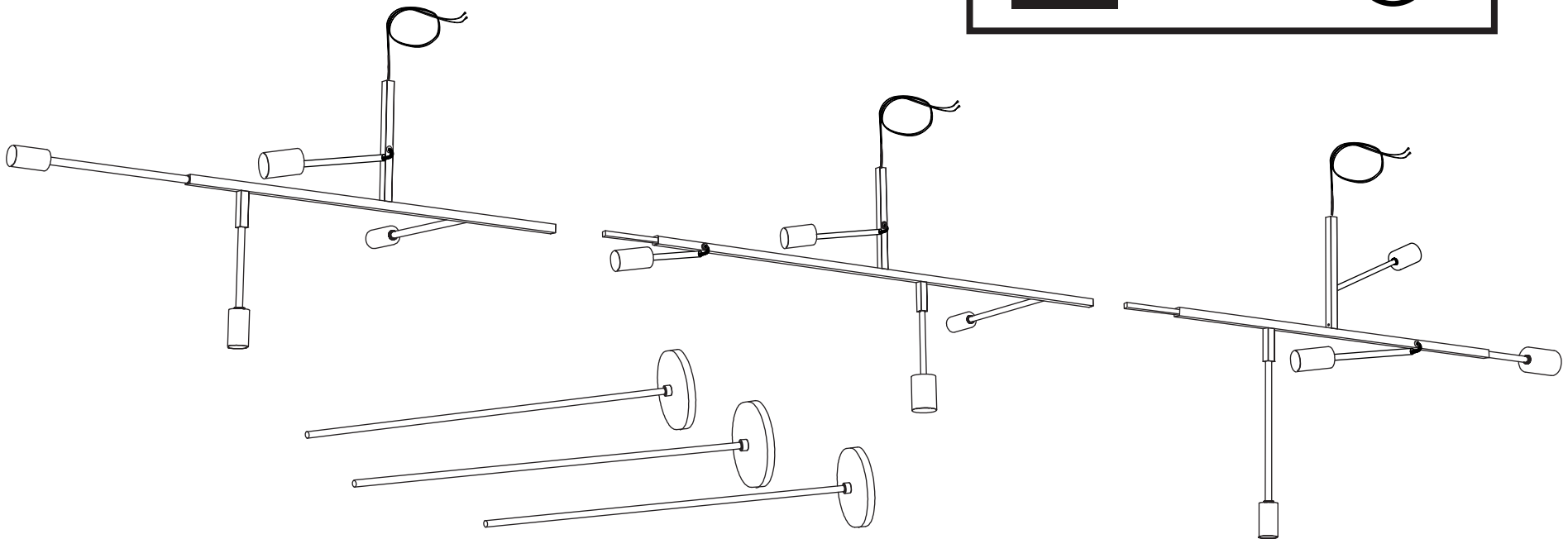
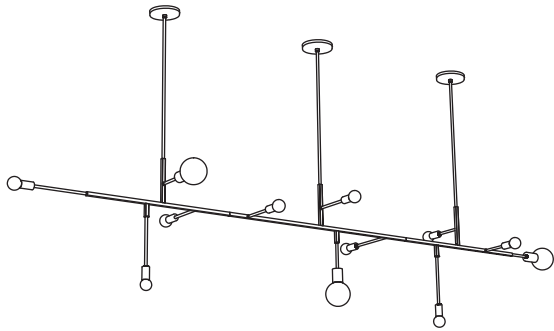


CLIFF SUSPENSION 08



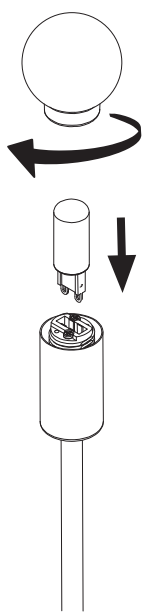
!

- To be installed by an electrician to an electrical box
- Use appropriate screws and anchors where necessary
- Wear enclosed gloves when handling lamp
- Handle materials with care. Please consult lamp maintenance sheet on our web site

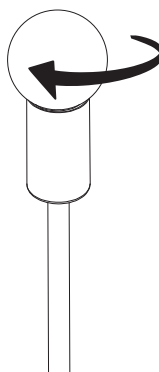
14 lbs.



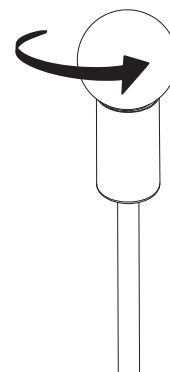
Important steps to follow when installing a glass globe



Insert bulb.



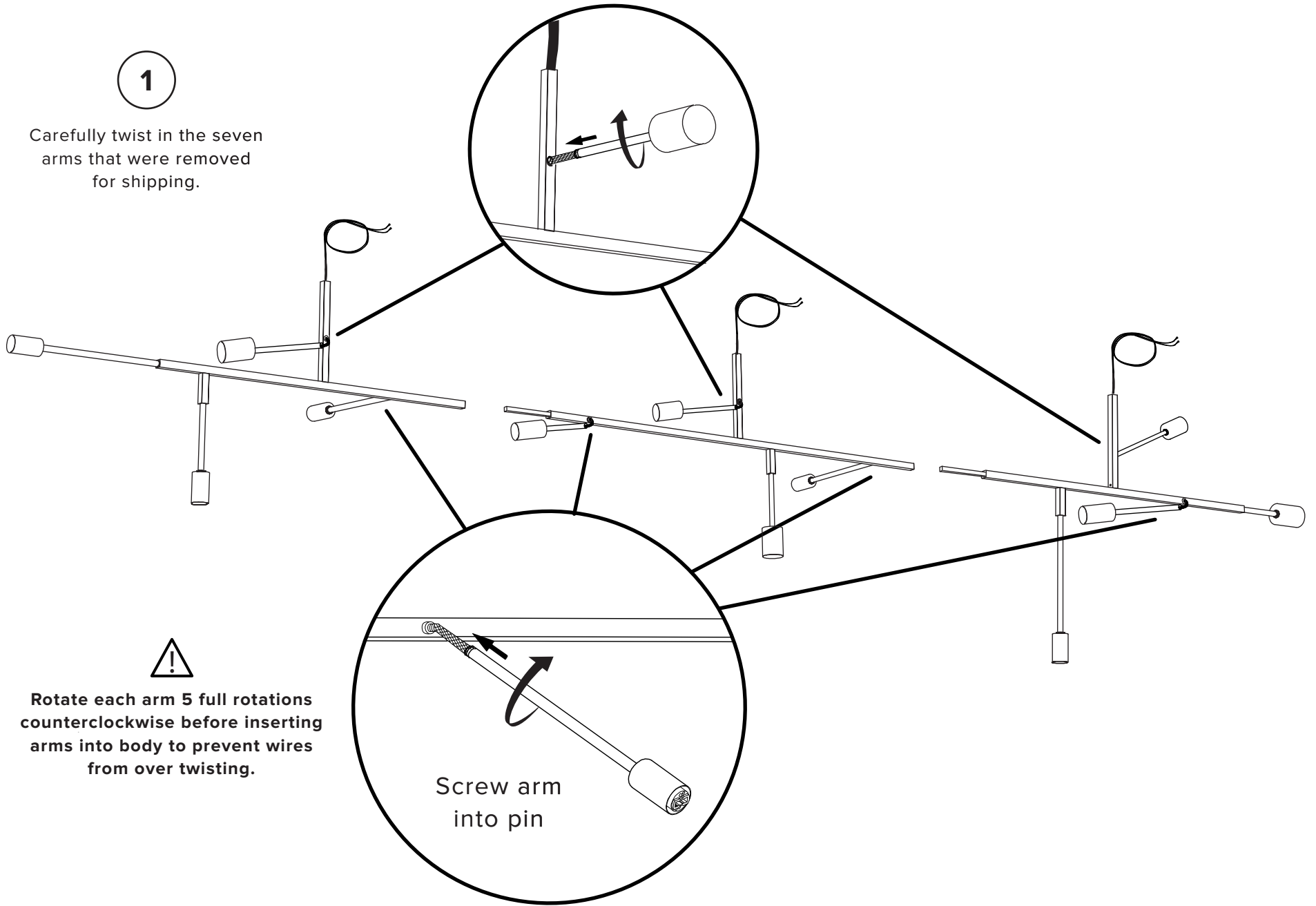
Screw in globe gently until it is tight.
Do not force the globe.



Unscrew bulb slightly 1/2 turn.

1

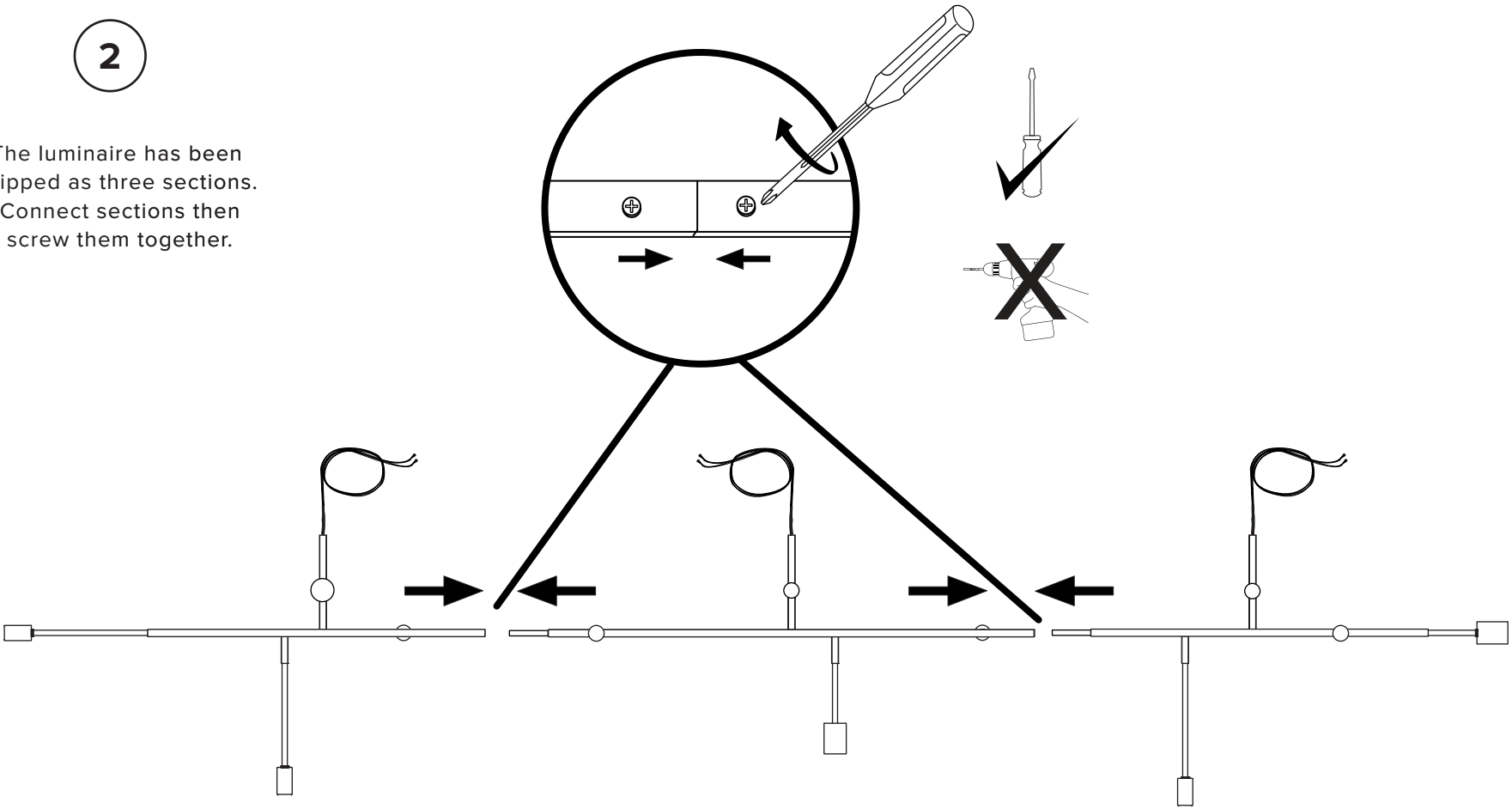
Carefully twist in the seven arms that were removed for shipping.

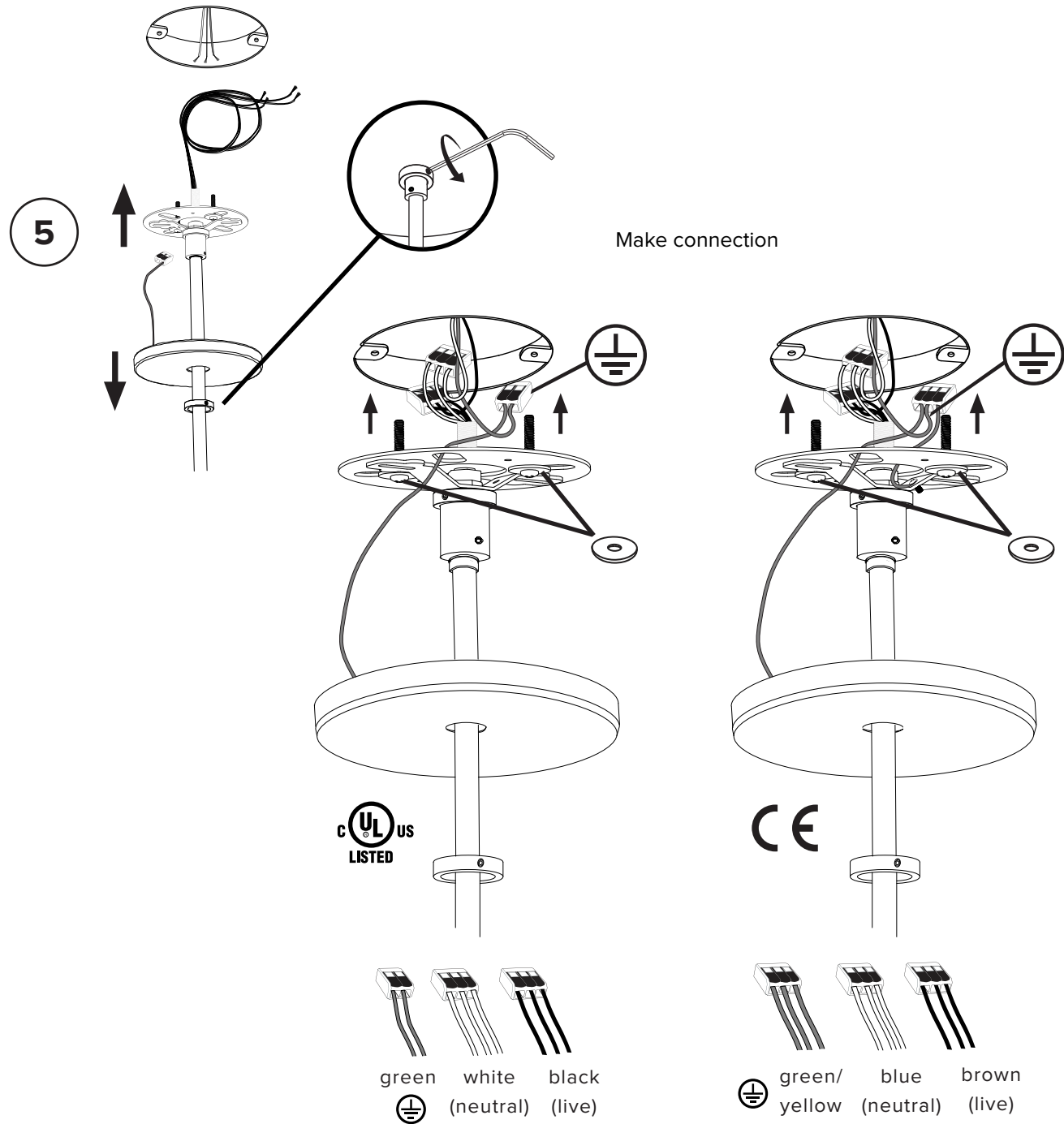
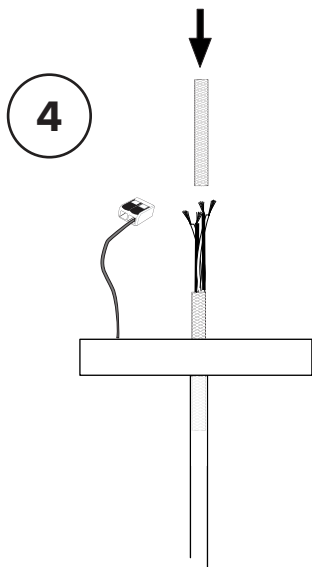
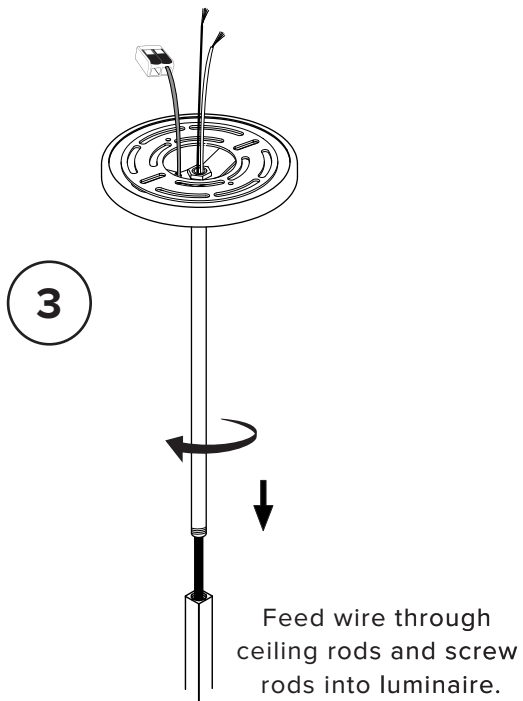


Rotate each arm 5 full rotations counterclockwise before inserting arms into body to prevent wires from over twisting.

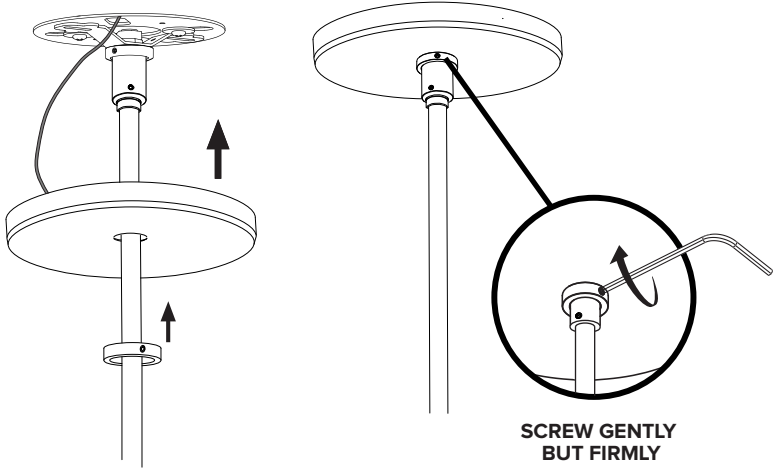
2

The luminaire has been shipped as three sections.
Connect sections then
screw them together.

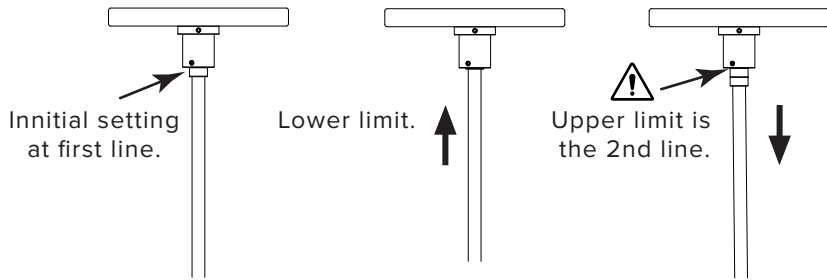




6



SCREW GENTLY
BUT FIRMLY



Note that the ceiling rod is adjustable

7

Insert bulbs and globes
into the sockets

