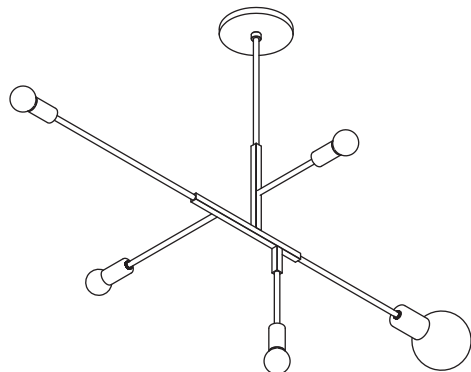

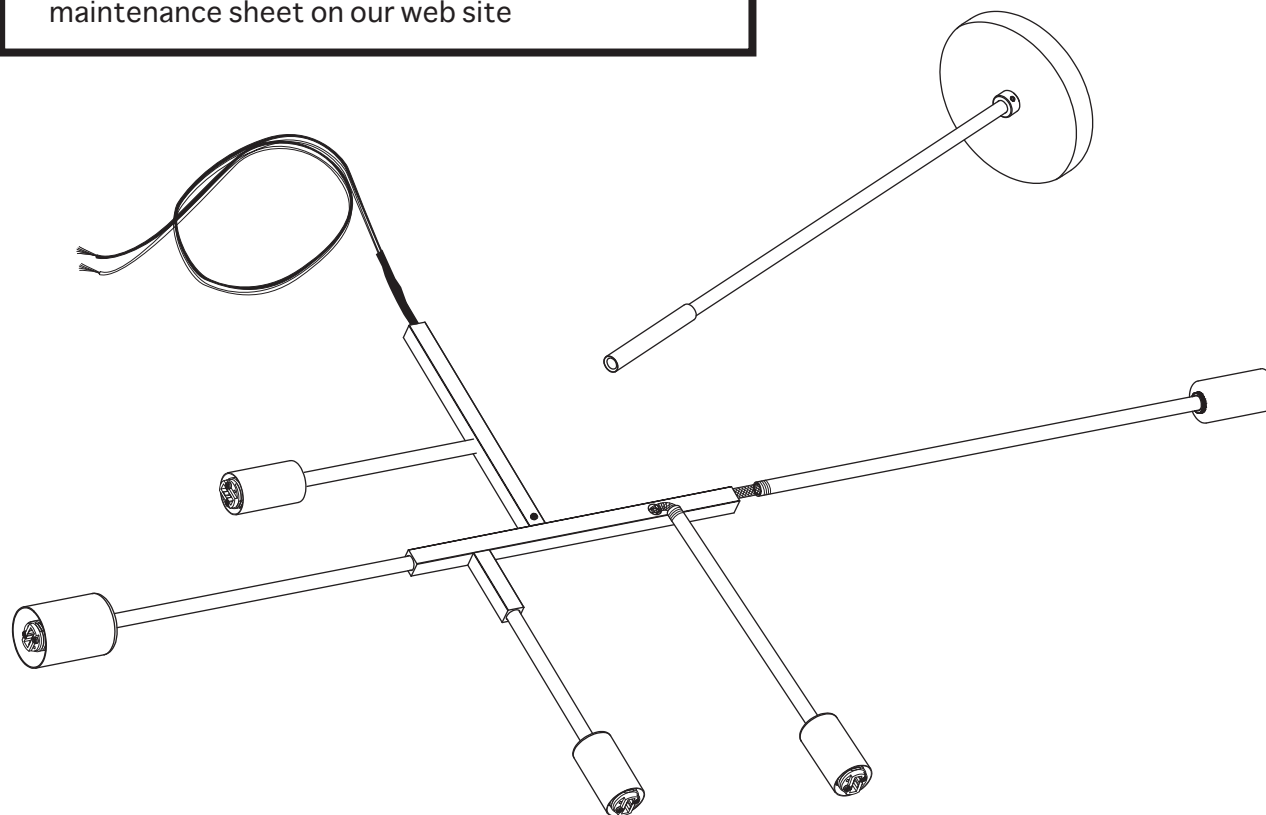


CLIFF SUSPENSION

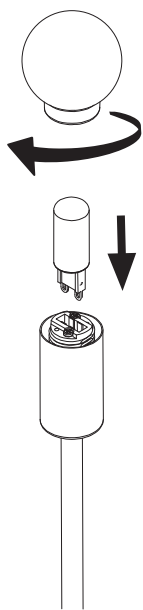


- 
- To be installed by an electrician to an electrical box
 - Use appropriate screws where necessary
 - Wear enclosed gloves when handling lamp
 - Handle materials with care. Please consult lamp maintenance sheet on our web site

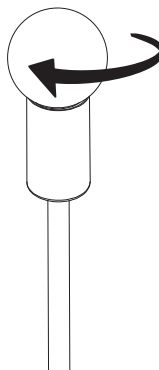




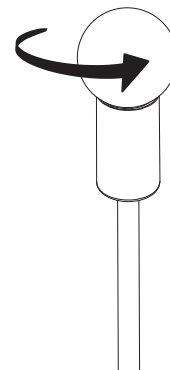
Important steps to follow when installing a glass globe



Insert bulb.

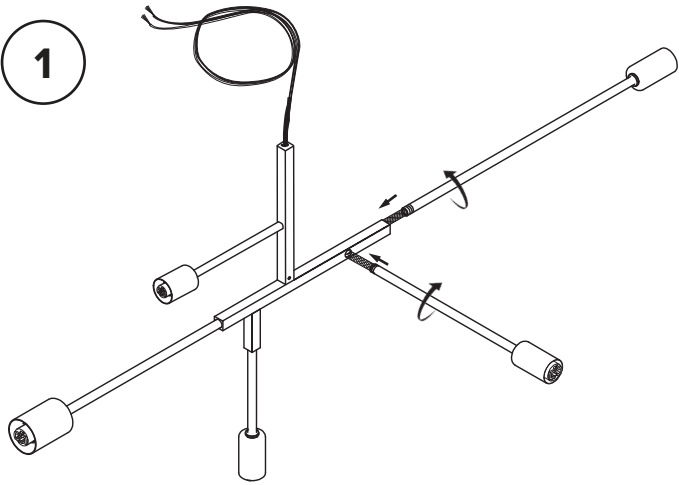


Screw in globe gently until it is tight.
Do not force the globe.



Unscrew bulb slightly 1/2 turn.

1



Rotate each arm 5 full rotations
counterclockwise before inserting
arms into body to prevent wires
from over twisting.

2

