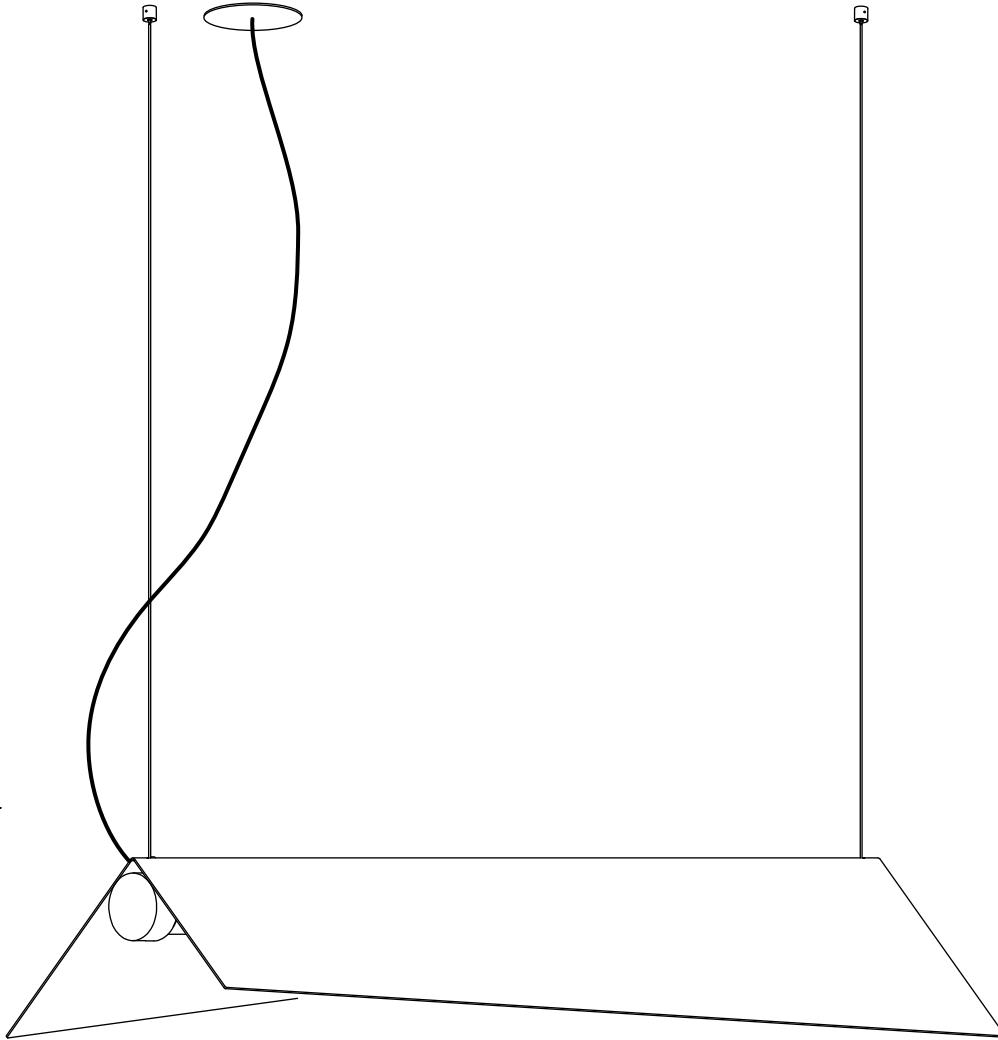


---

## CLARK SUSPENSION 120V

---

(phase and 0+10V dimming)  
Plenum or remote installation



- Please read entire manual before beginning installation
- To be installed by an electrician
- Use appropriate screws and anchors where necessary
- Wear enclosed gloves when handling lamp
- Handle materials with care. Please consult lamp maintenance sheet on our web site

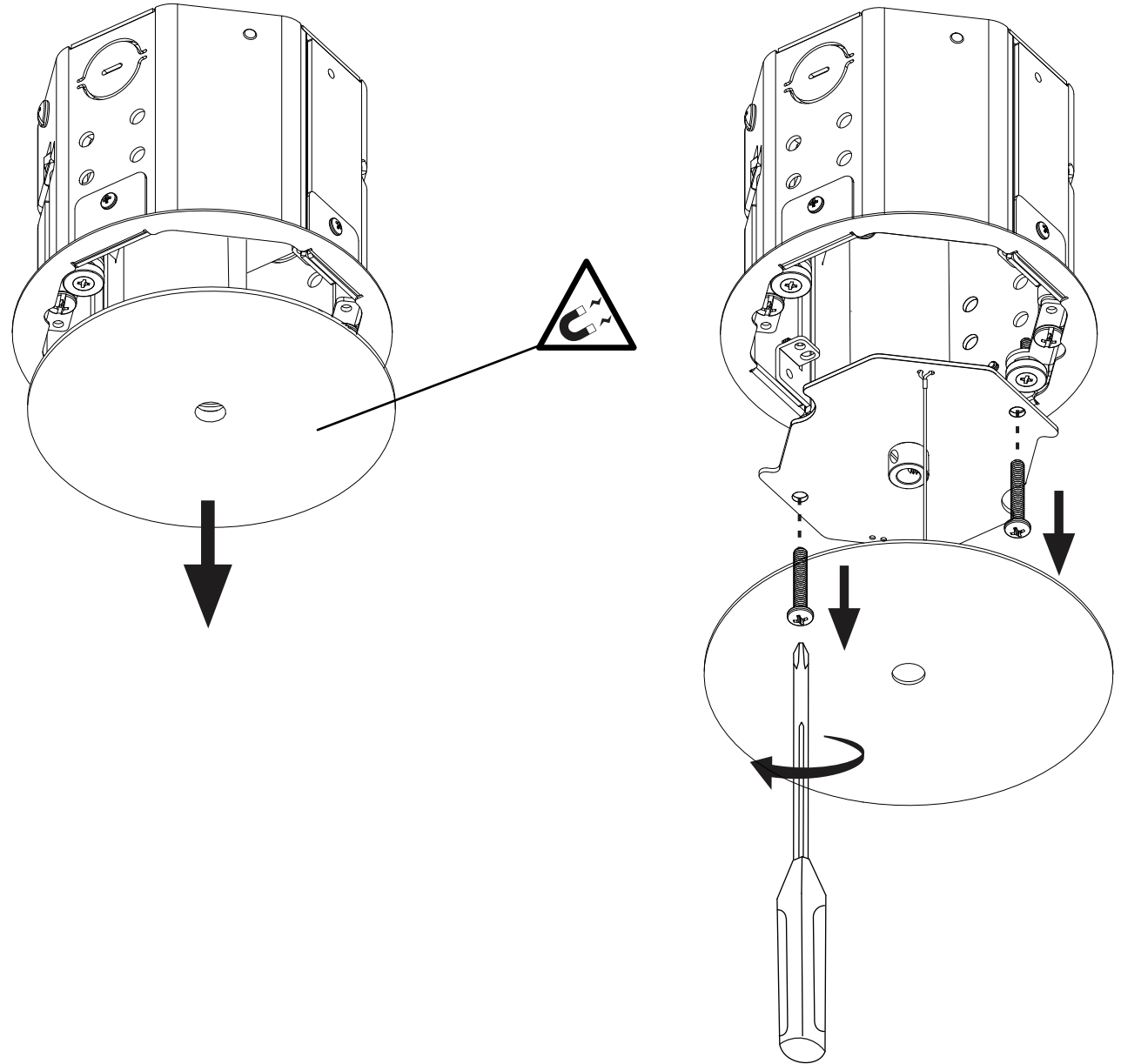


**Never turn on power supply  
until installation is completed**

1

Remove Octobox cover plate and strain relief plate. It is held in place by two screws.

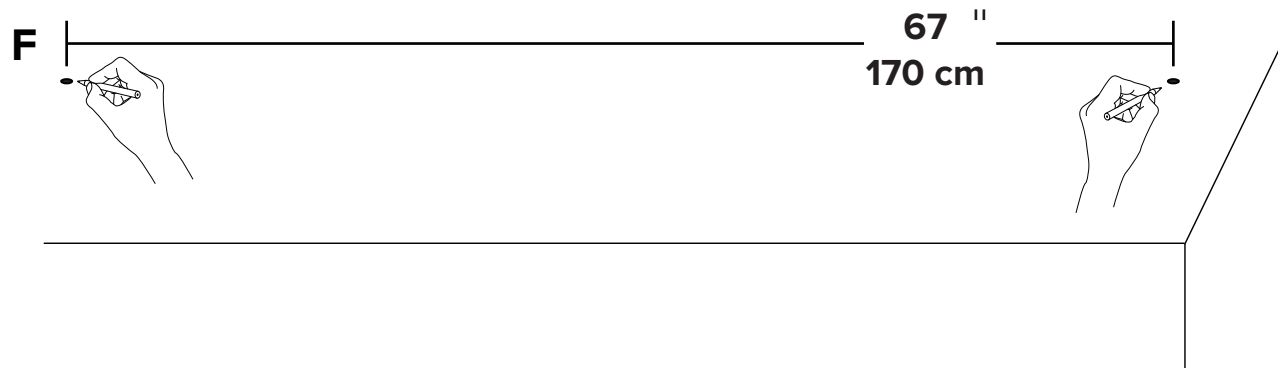
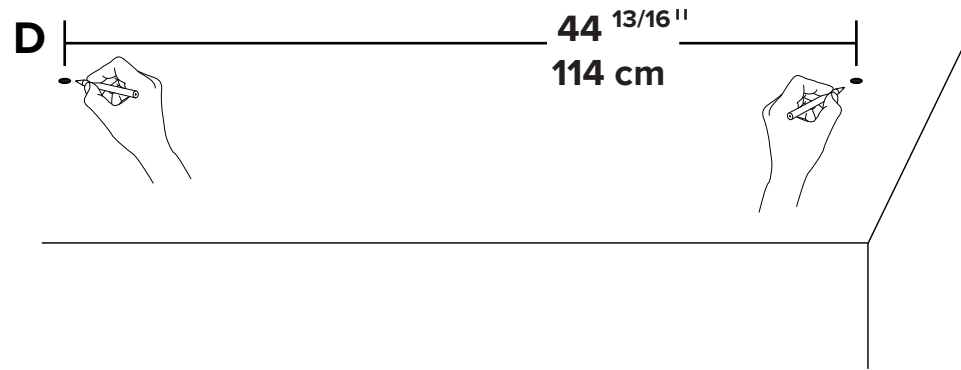
Refer to:  
Annexe A (phase dimming) - page 8  
Annexe B (0-10V) - page 14



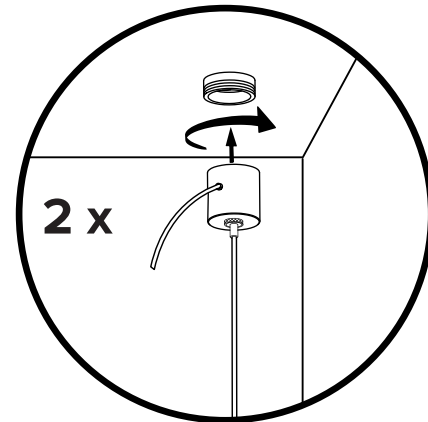
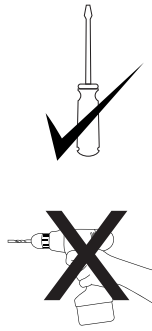
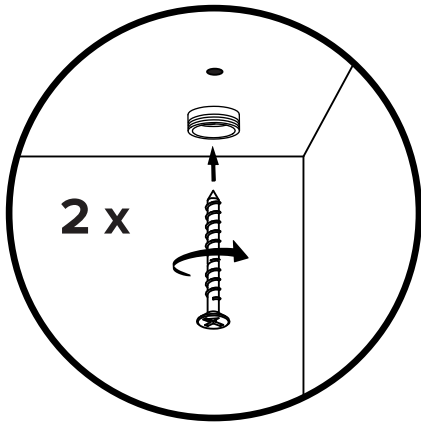
# INSTALL AND ADJUST AIRCRAFT CABLES

2

Mark your anchor  
points on the ceiling  
according to your model

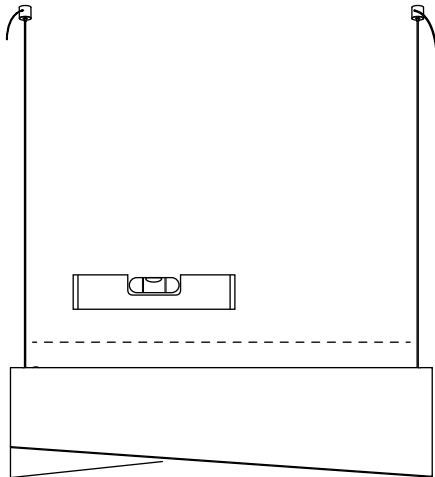


3

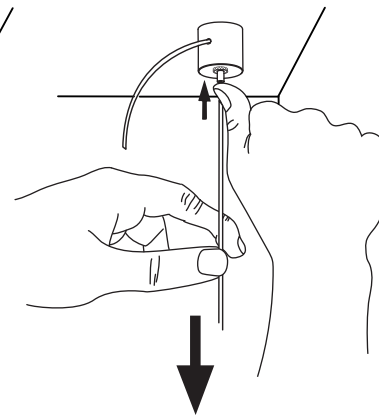
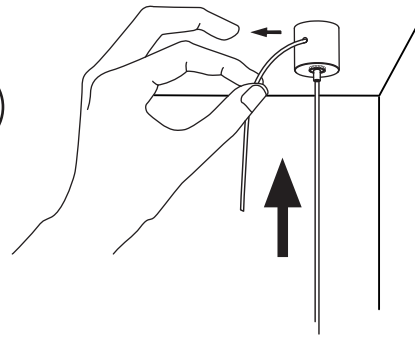
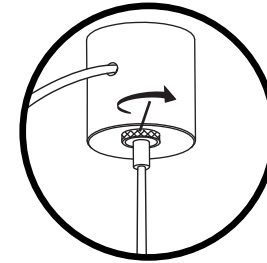
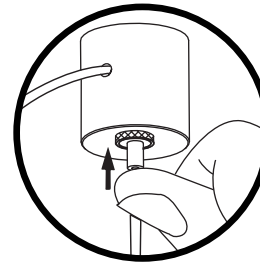
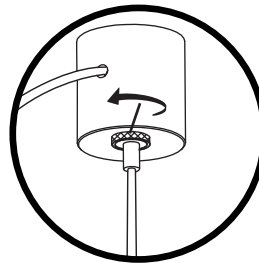


**Make sure you use appropriate anchors and screws for your ceiling material and luminaire weight.**

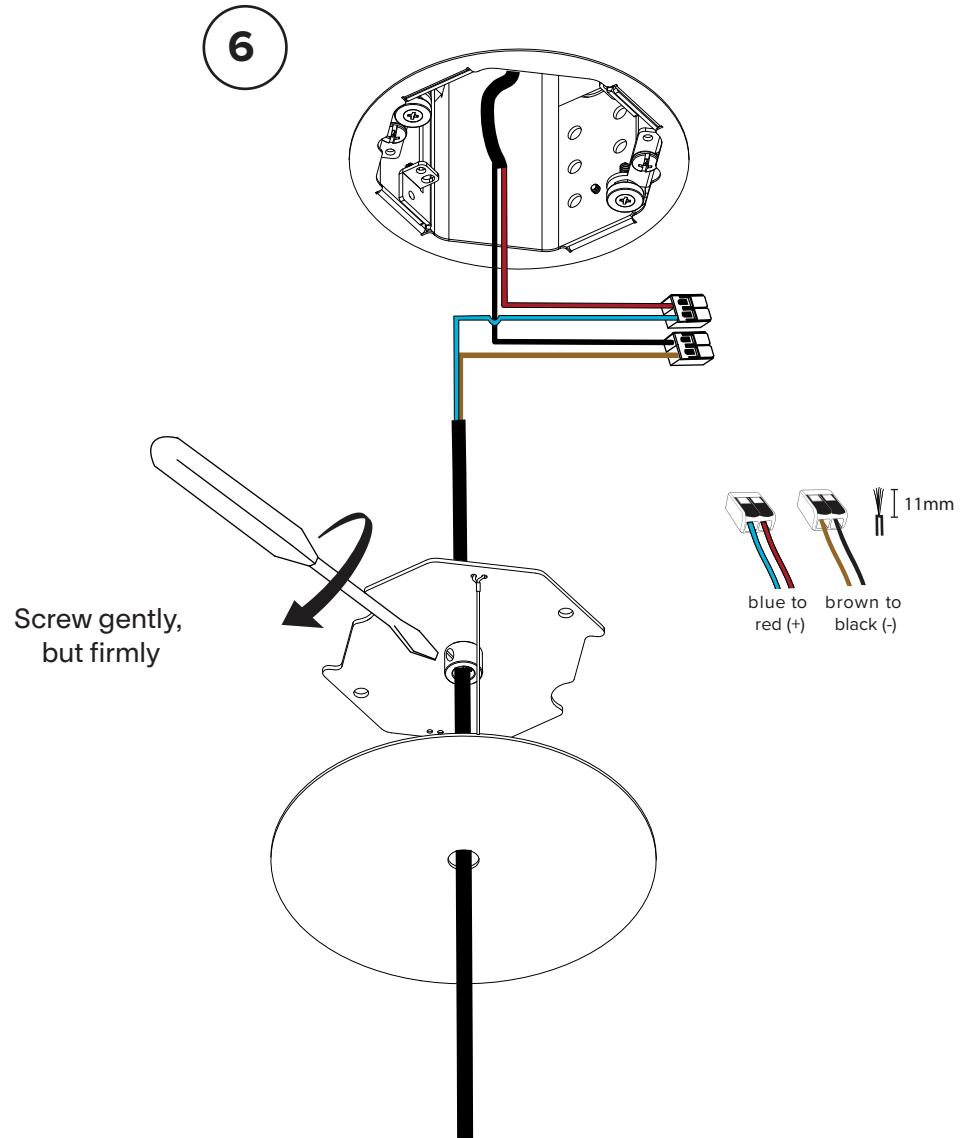
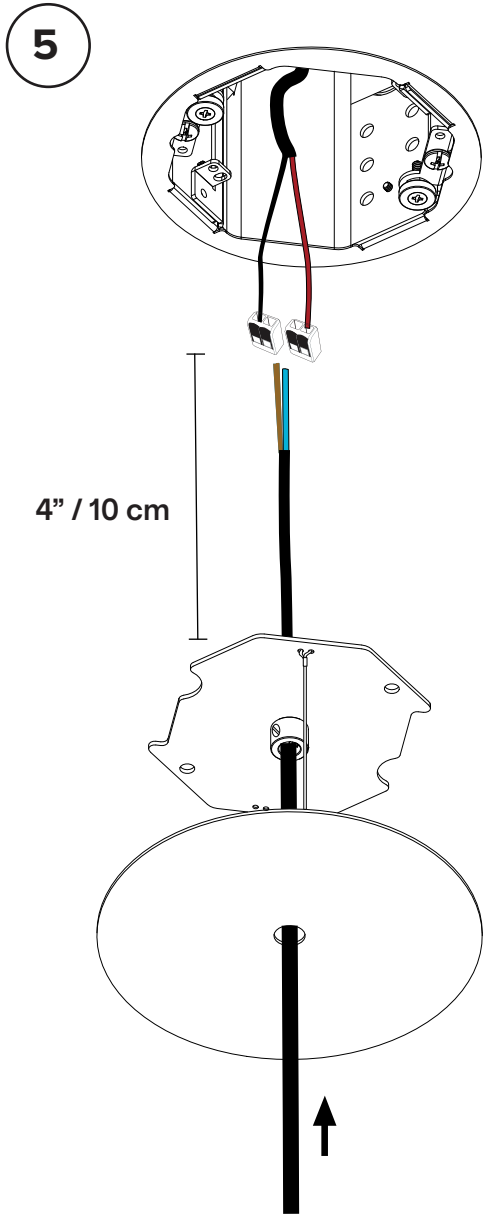
	aluminum	brass
<b>D</b>	7lbs / 3.2kg	21.8lbs / 9.9kg
<b>F</b>	10.3lbs / 4.7kg	32lbs / 13.6kg



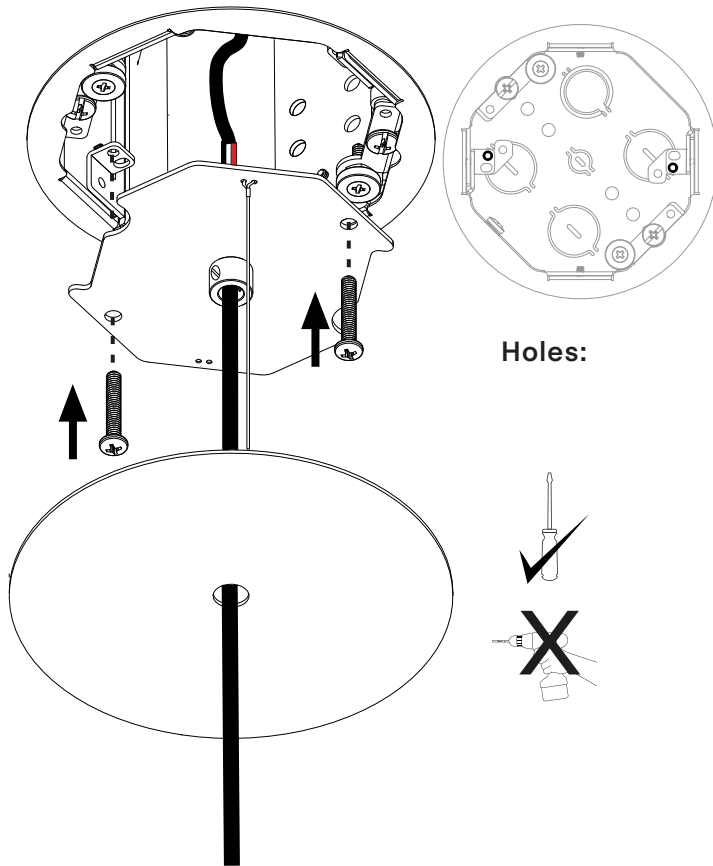
4



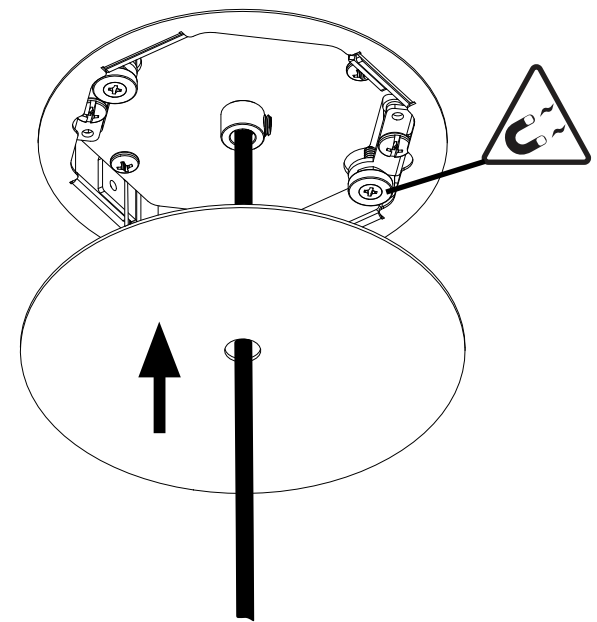
Steps to be completed AFTER steps  
in recessed canopy annex



7



8

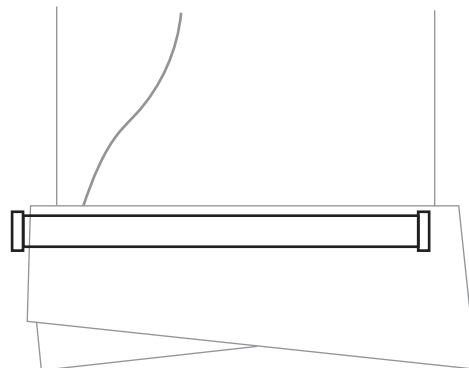
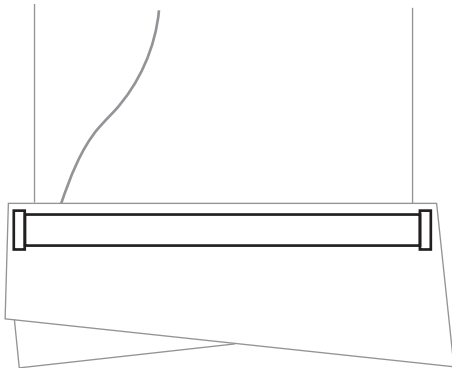


Make sure cover plate is centered on the junction box

## CHECK LENS ALIGNMENT

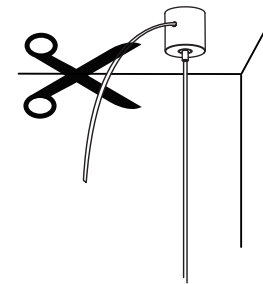
9

The lens may have shifted. Readjust lens to center it if necessary.



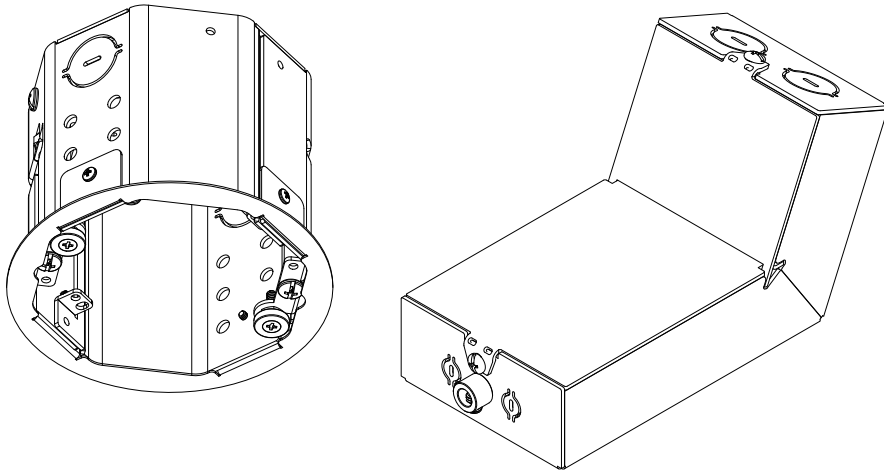
10

Cut excess cable when level and desired height are achieved.

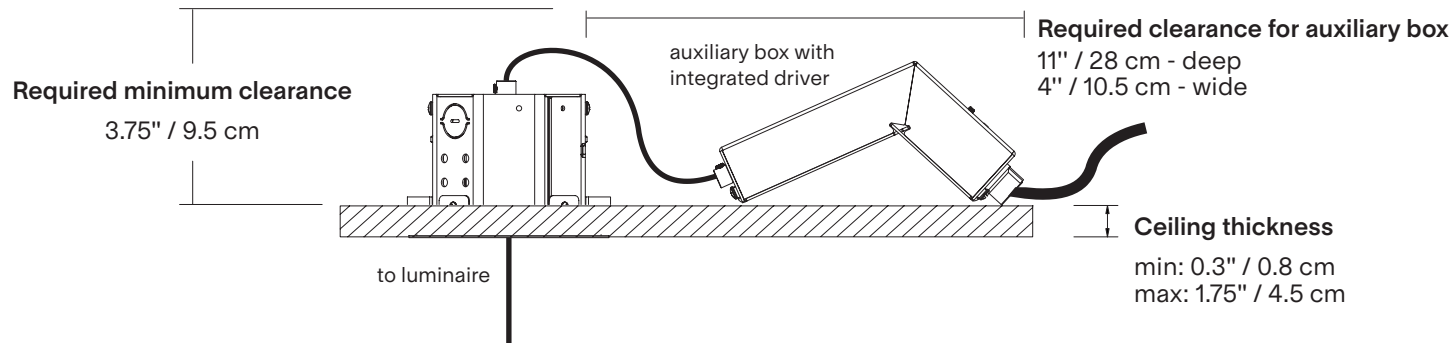


## RECESSED CANOPY ANNEX A

### Octobox with auxiliary box (phase and 0+10V dimming) Plenum installation

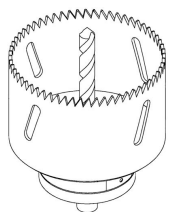
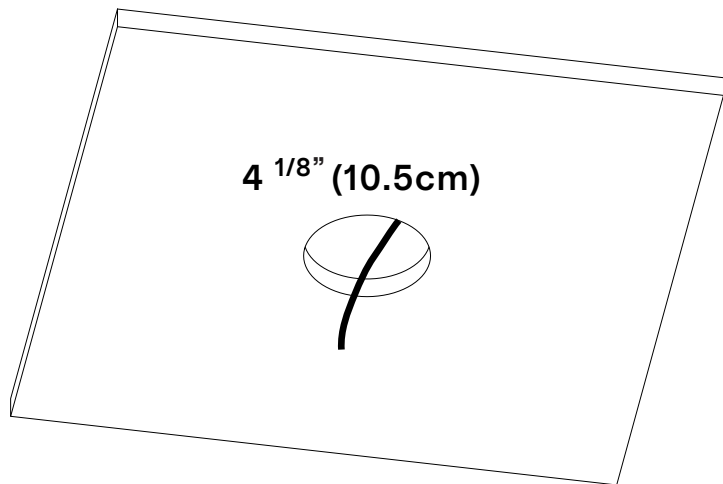


- Please read entire manual before beginning installation
- To be installed by an electrician
- Use appropriate screws where necessary
- For non-insulated hollow ceiling
- Wires for plenum not provided

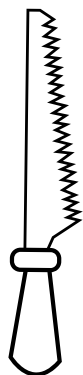




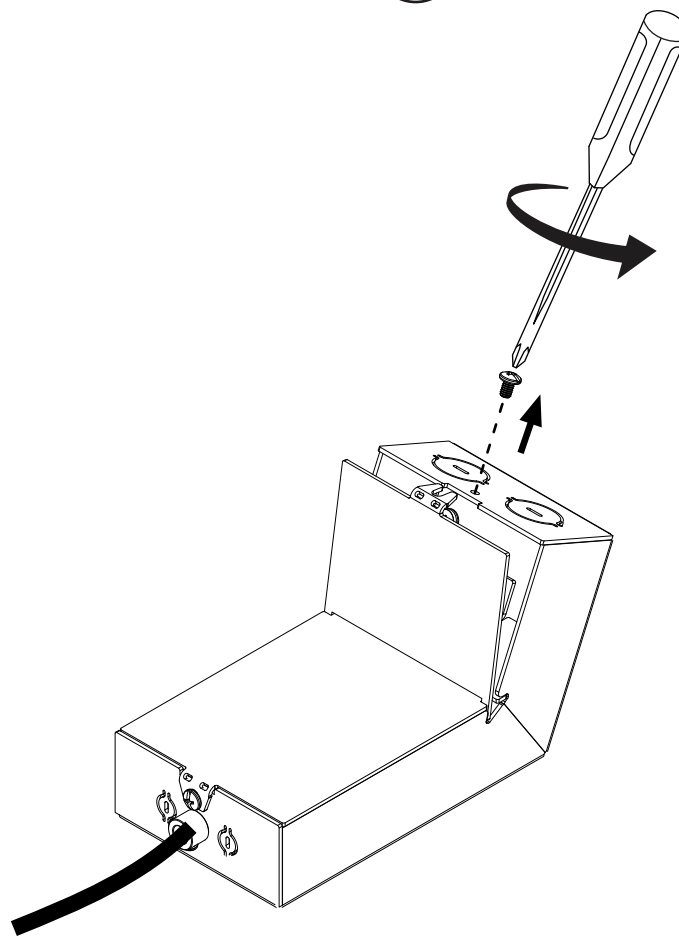
1



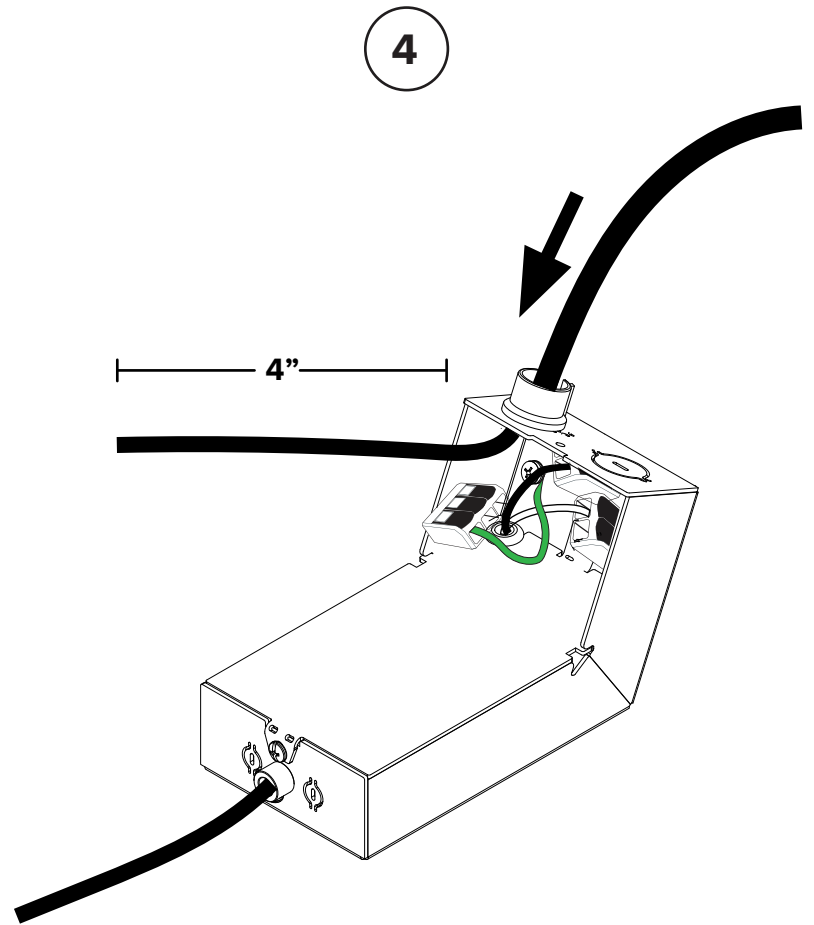
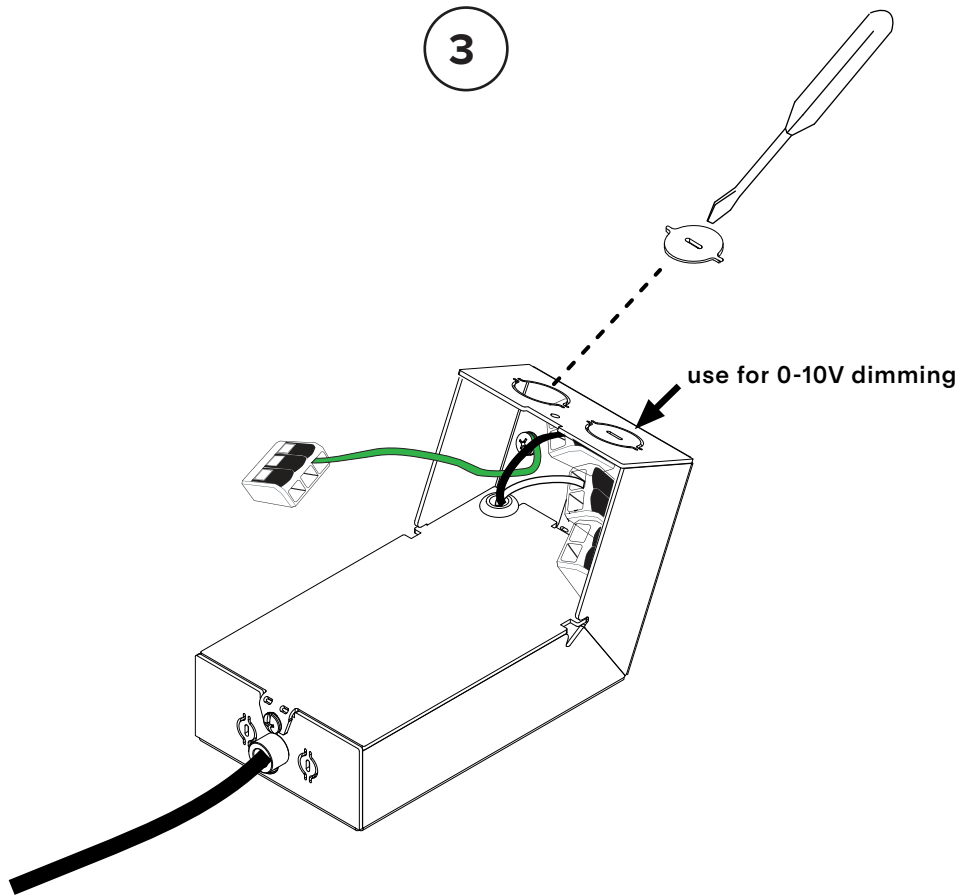
or

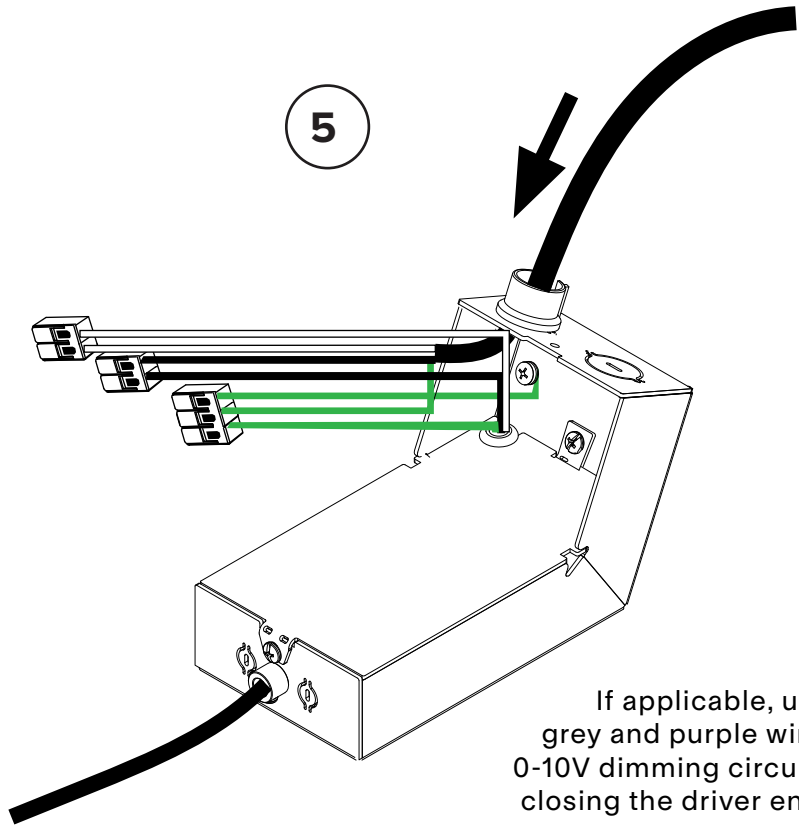


2



# PHASE DIMMING REPRESENTATION

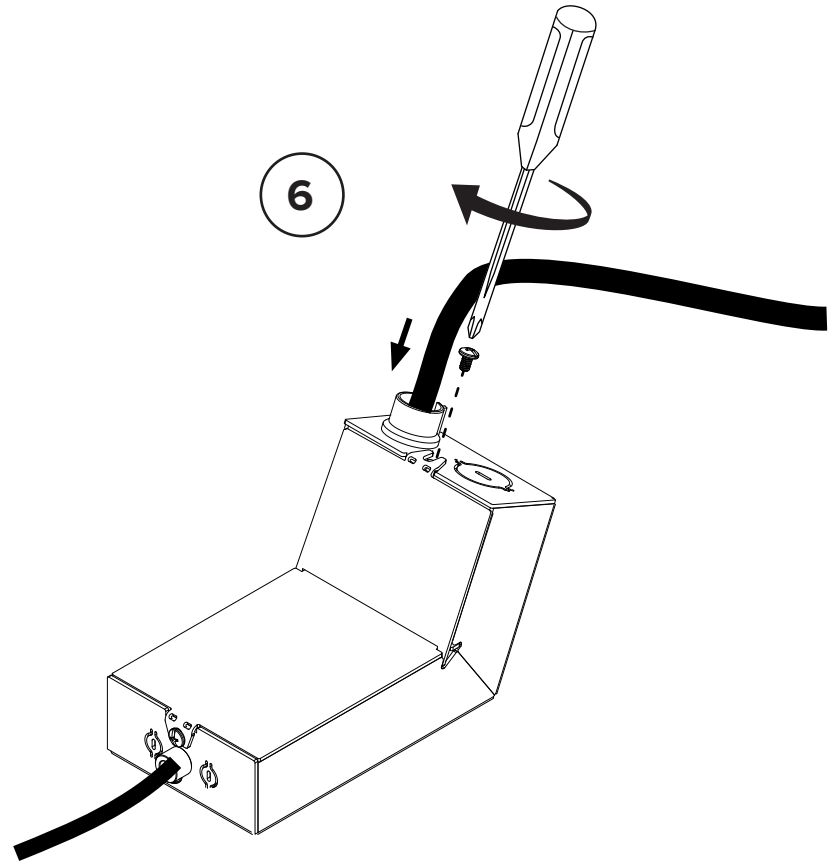




5

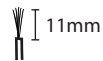
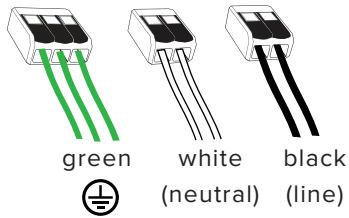
If applicable, use grey and purple wires for 0-10V dimming circuit before closing the driver enclosure.

Cap wires individually if not used.

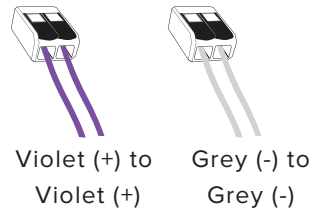


6

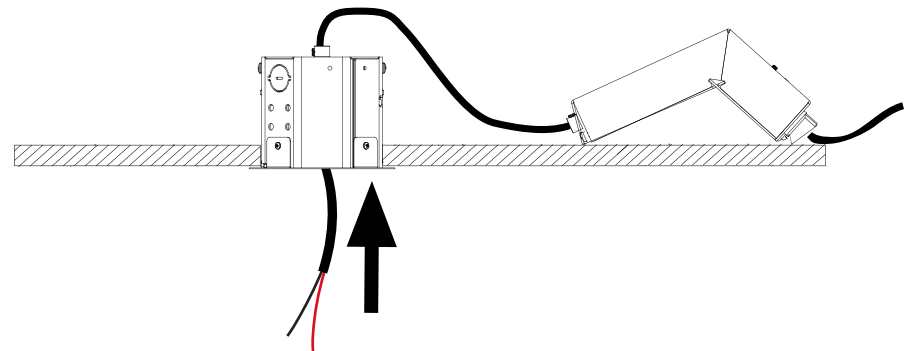
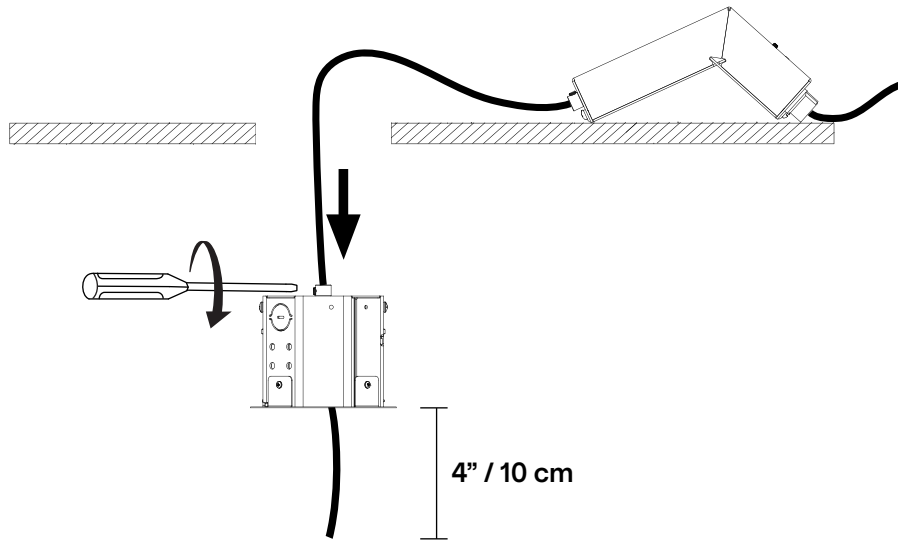
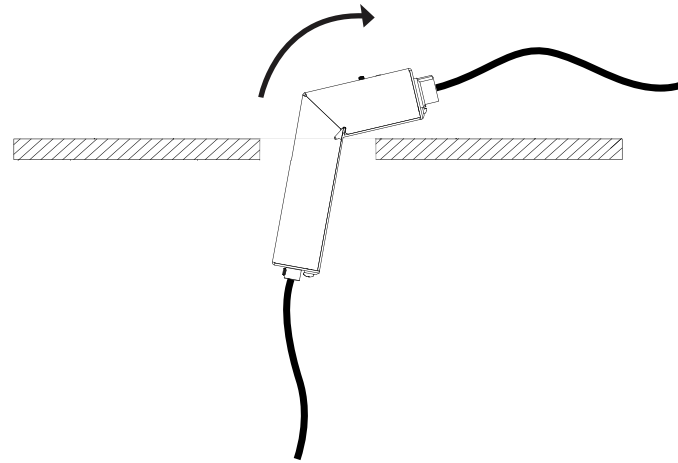
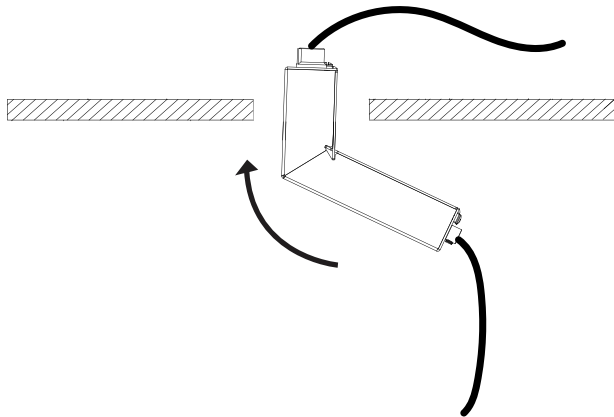
for 120 V wiring



0-10V dimming

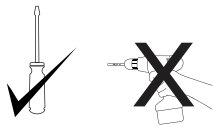
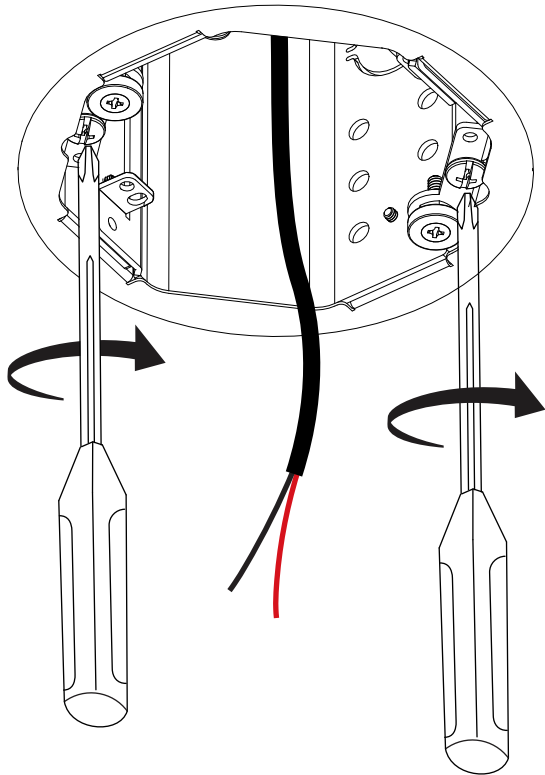


7



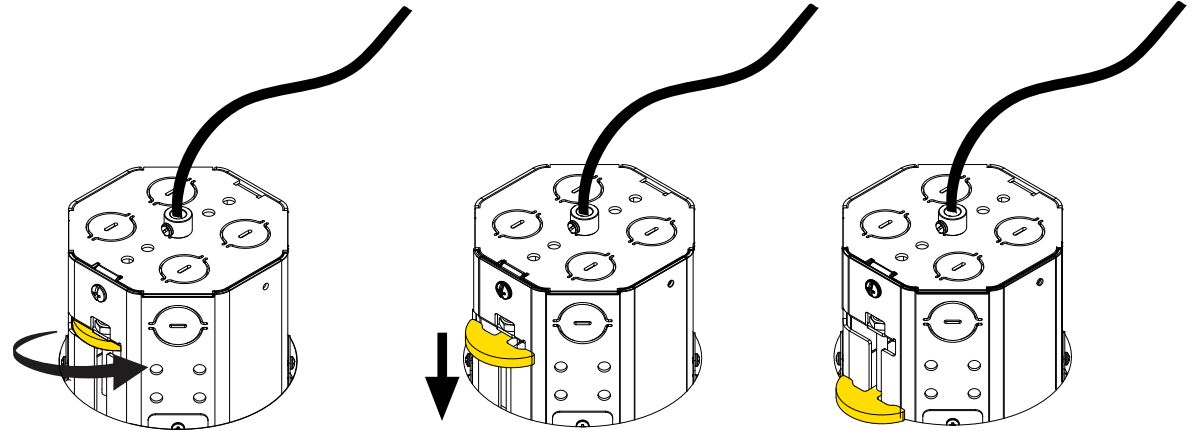
8

View from below

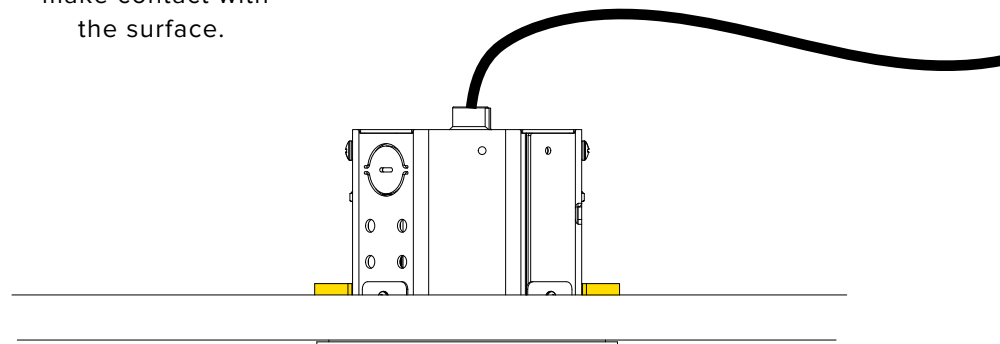


9

View from above



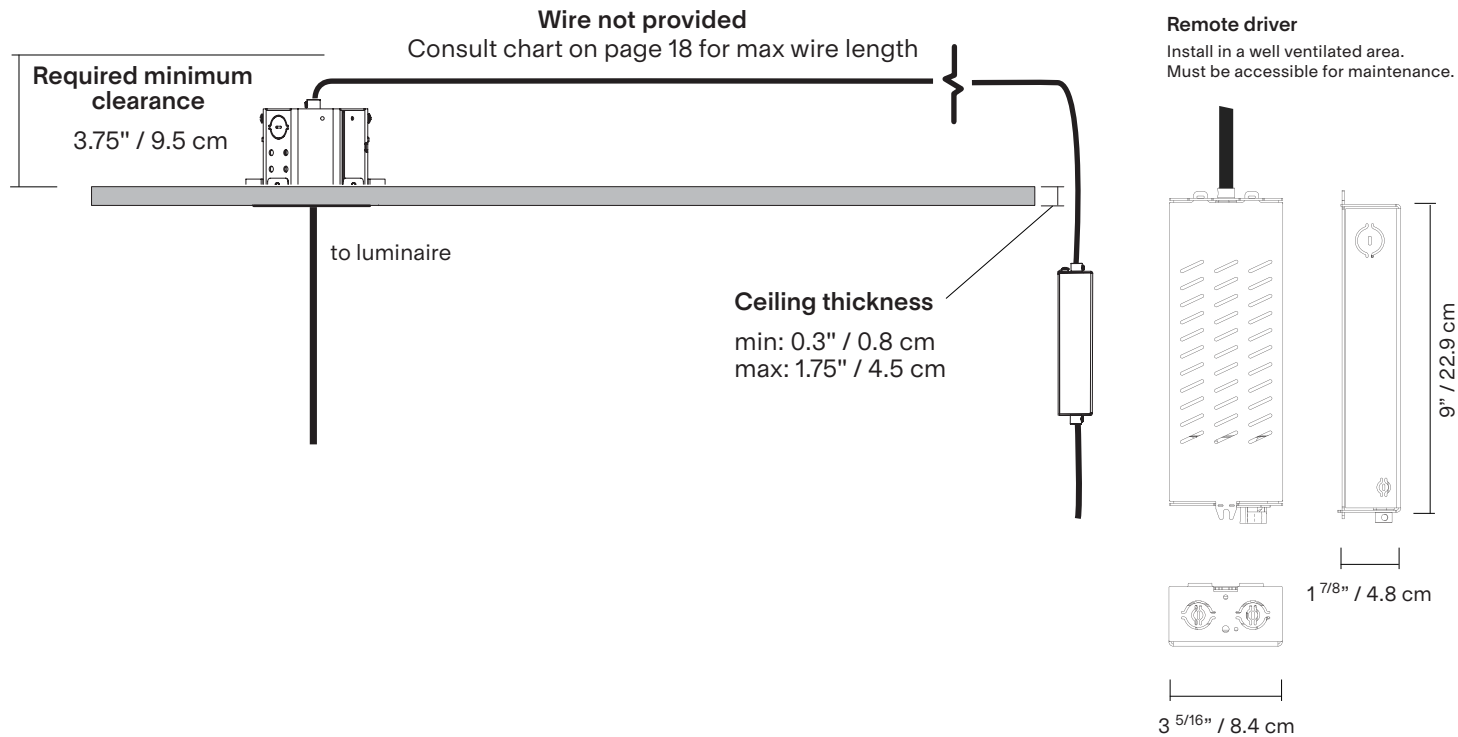
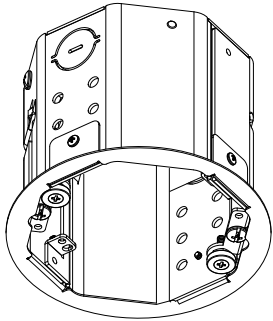
Stop when arms make contact with the surface.



The recessed canopy is now installed, return to luminaire installation steps and follow the instructions (page 3).

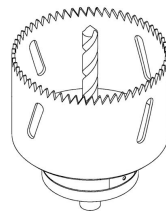
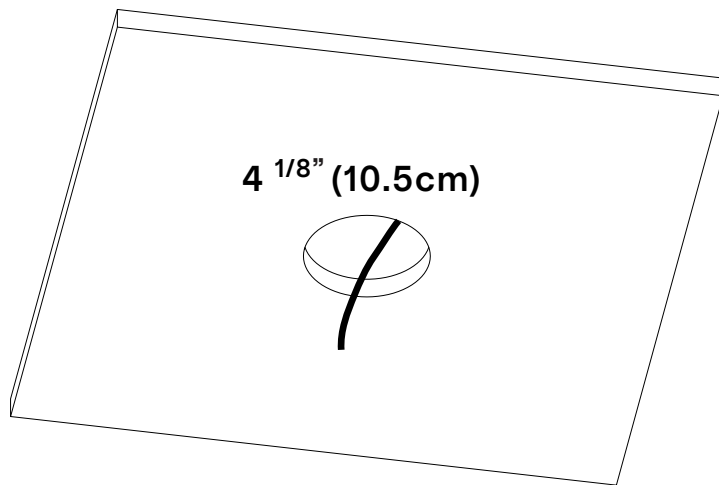
## RECESSED CANOPY ANNEX B

### Octobox with remote driver (phase and 0-10V dimming) Remote installation

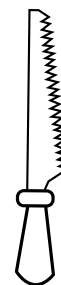


- Please read entire manual before beginning installation
- To be installed by an electrician
- Use appropriate screws where necessary
- For non-insulated hollow ceiling
- Wires for plenum not provided

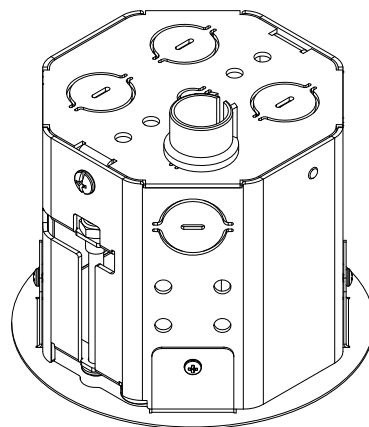
1



or

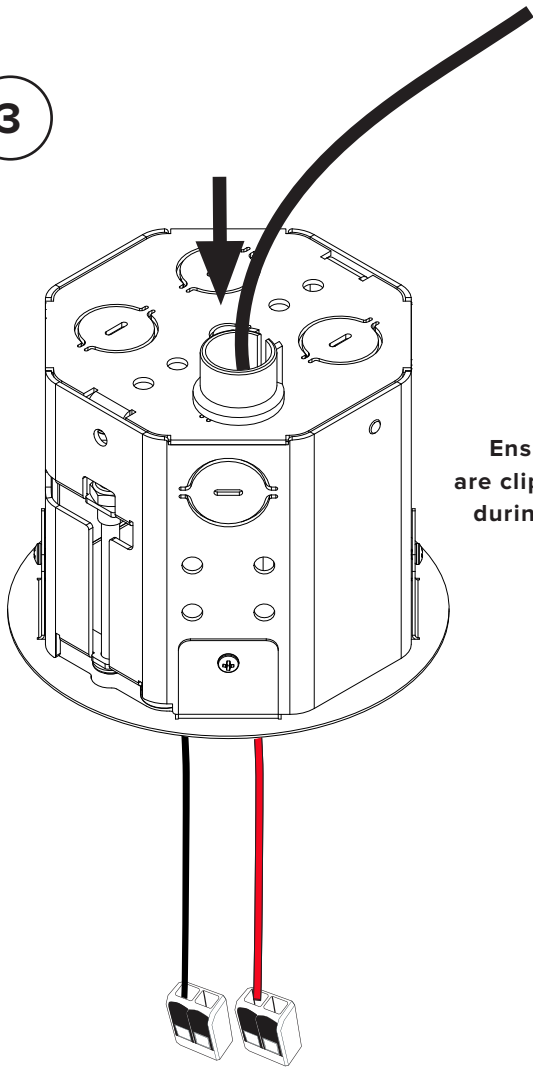


2



Install suitable connectors for your installation (not included)

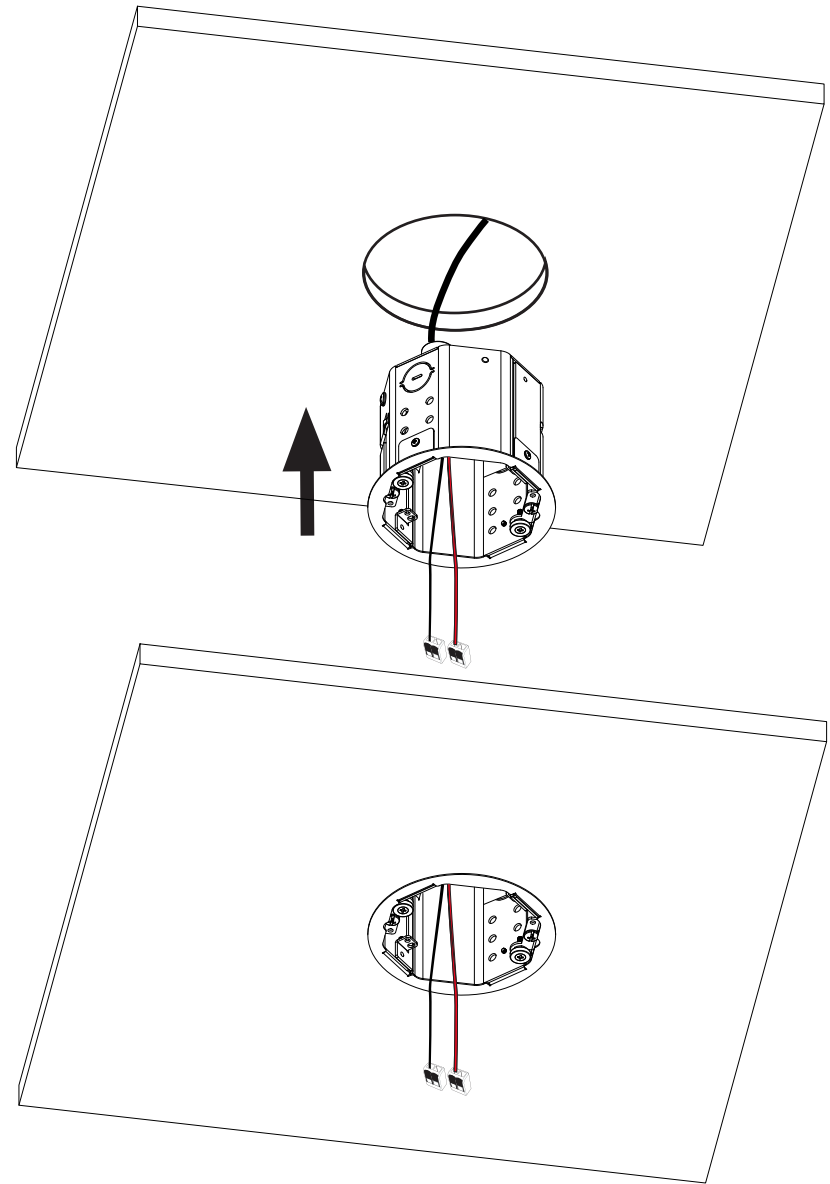
3



Ensure no wires  
are clipped or pinched  
during these steps.

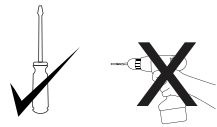
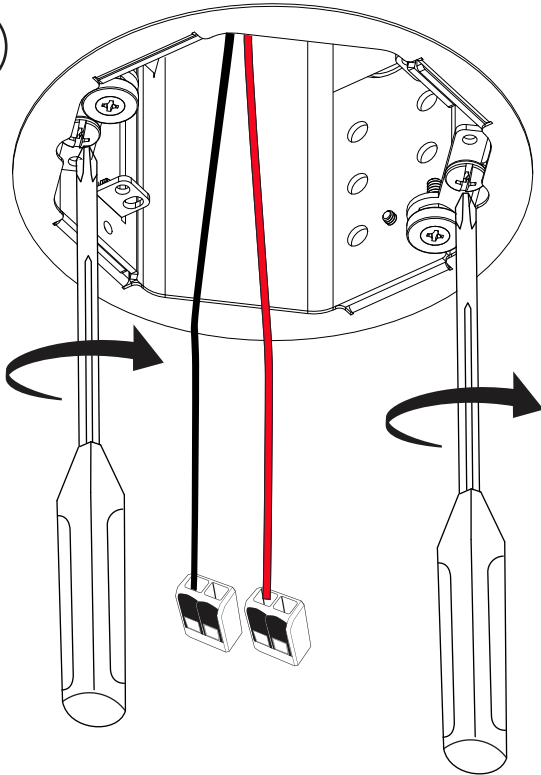
4

View from below

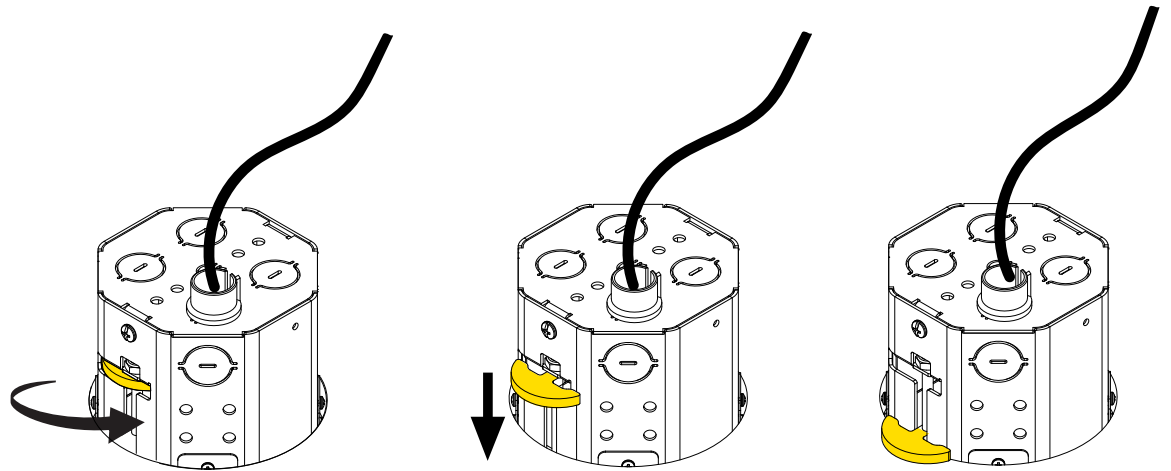




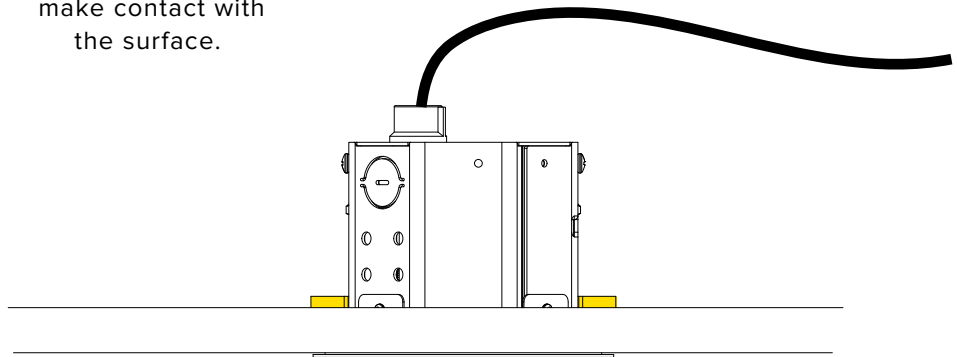
5



View from above



Stop when arms make contact with the surface.

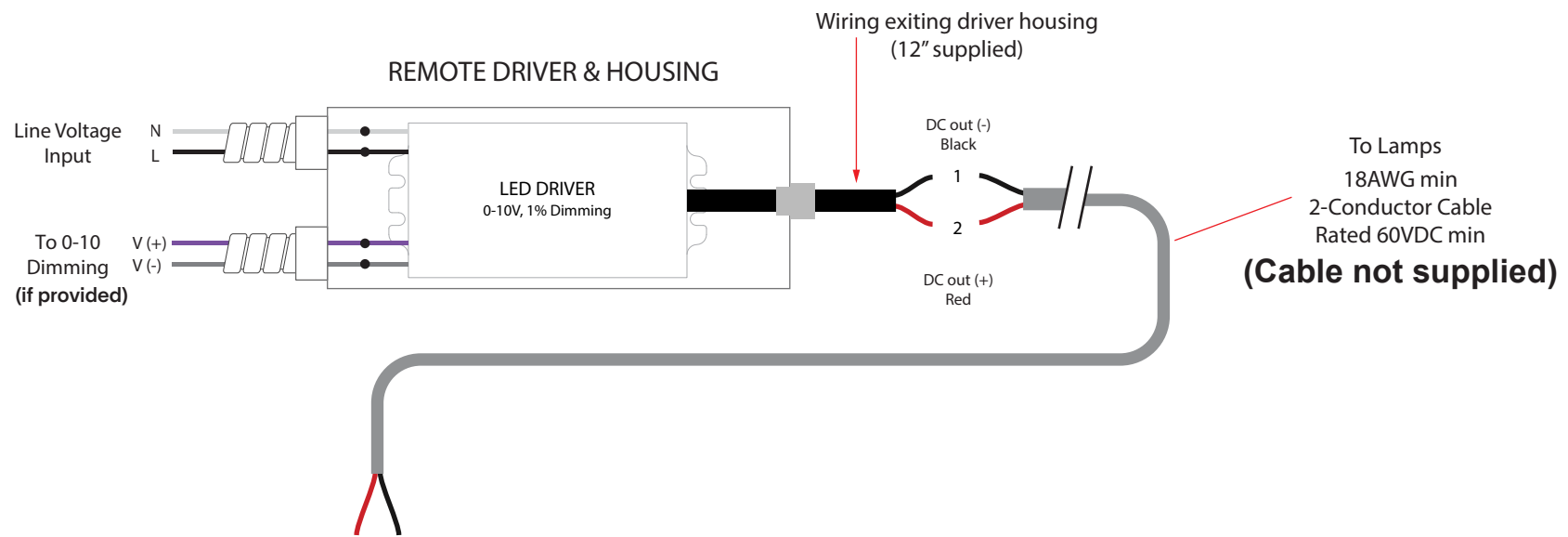
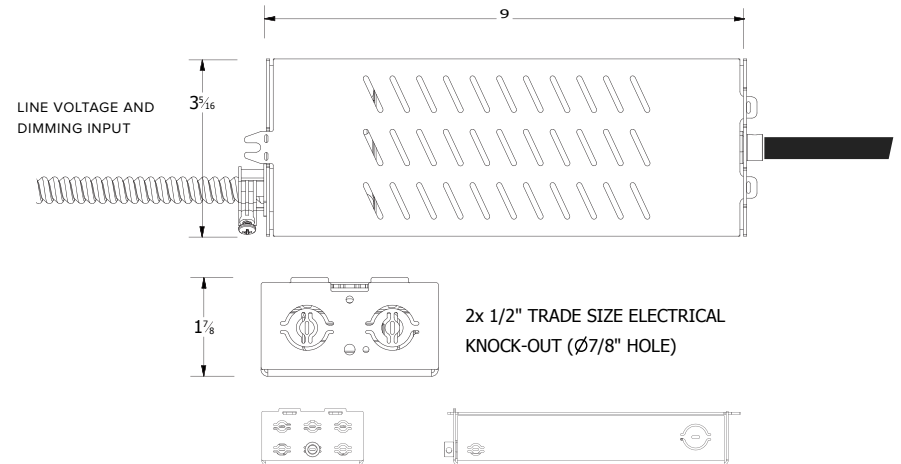


## REMOTE DRIVER HOUSING

- Must be accessible for maintenance in a well aerated location for heat dissipation

Remote Wire Gauge and Length Allowance Maximum distance between suspended structure internal wiring and remote driver housing

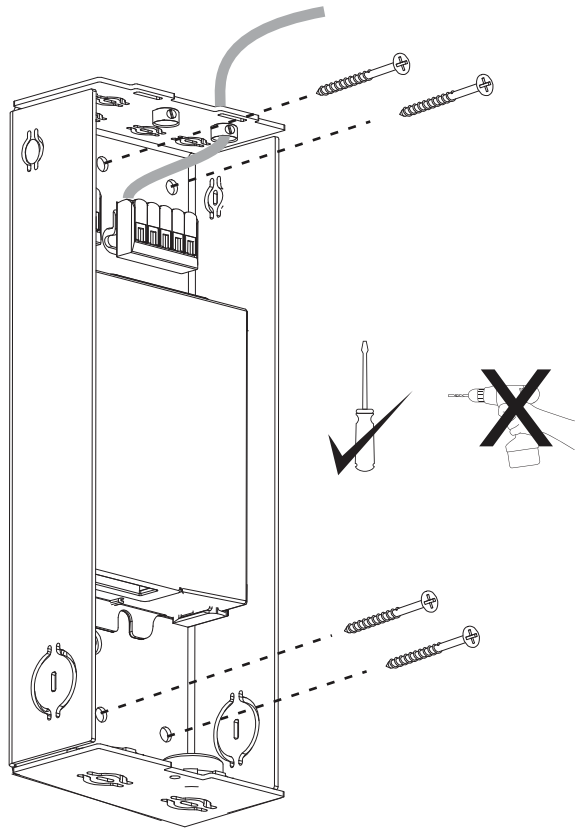
Wire gauge	Max Distance
18AWG	64.6 ft / 19.7m
16AWG	102.7 ft / 31.3m
14AWG	163.3 ft / 49.8m
12AWG	259.7 ft / 79.1m



6

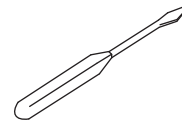
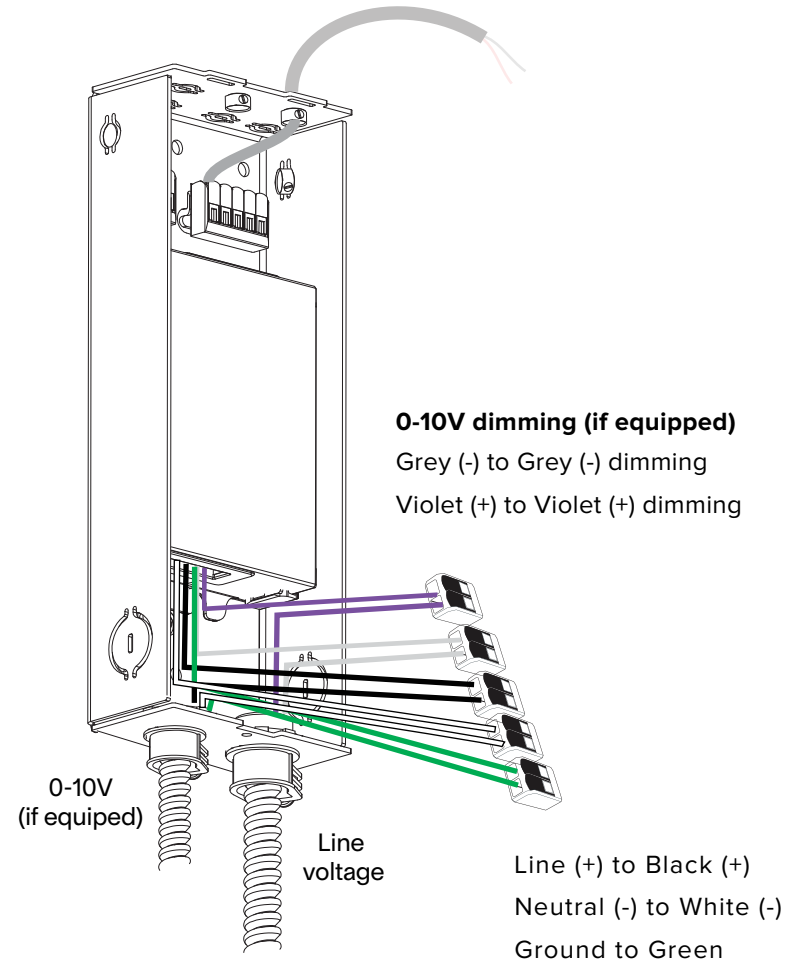
Remove cover and mount driver housing to wall.

Screws not provided.



7

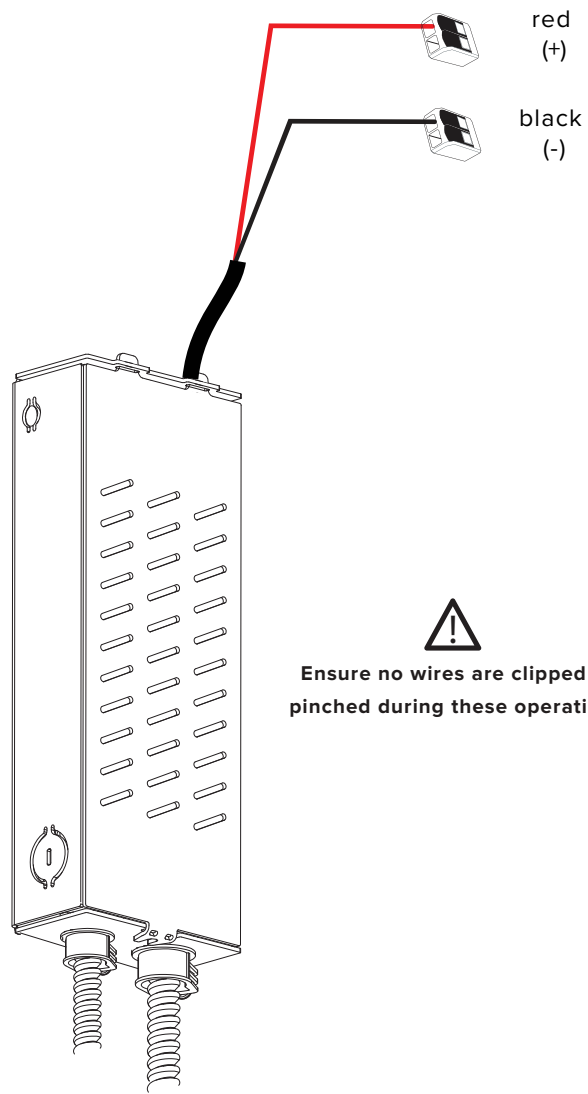
Make Line Voltage and dimming connections to driver wiring.



Use a screwdriver to knock out tab, then secure cables (not supplied)

8

Close driver housing and make low voltage connections.



Ensure no wires are clipped or pinched during these operations.

10

The recessed canopy is now installed, return to luminaire installation steps and follow the instructions (page 3).