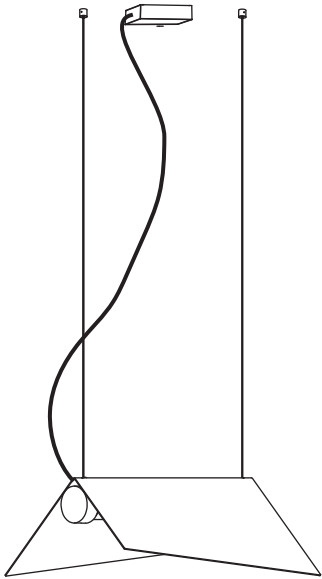
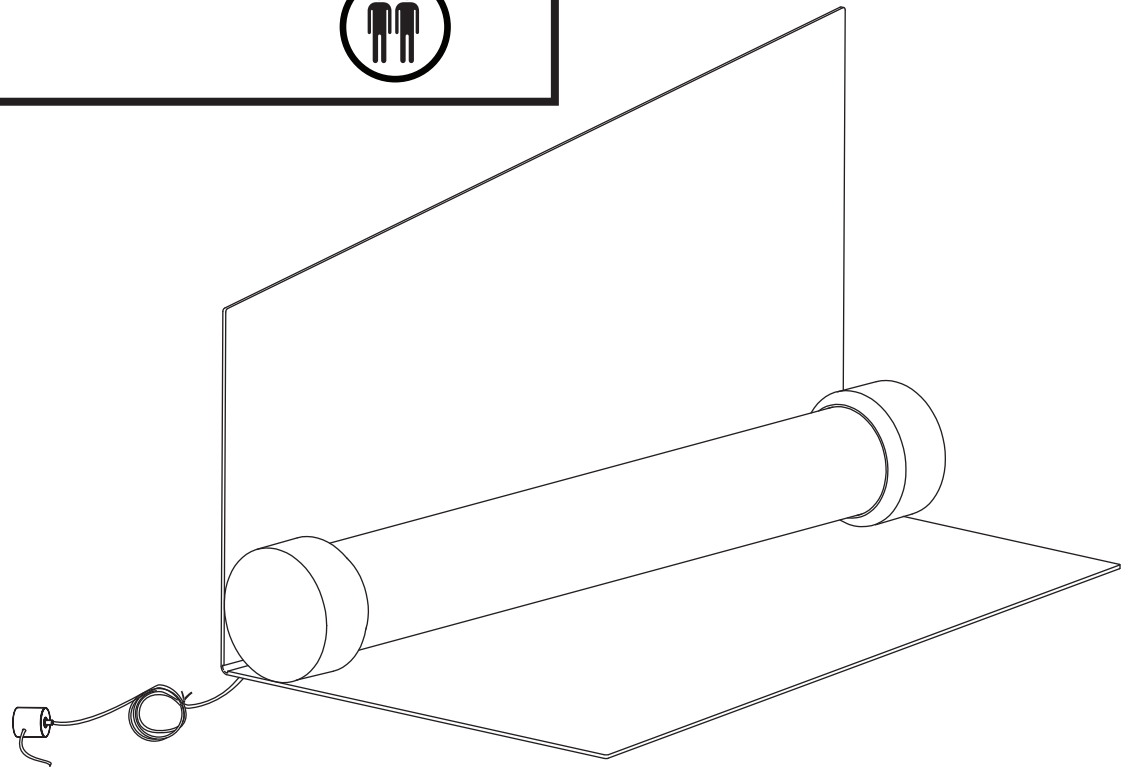

CLARK SUSPENSION



- Please read entire manual before beginning installation
- To be installed by an electrician to an electrical box
- Use appropriate screws and anchors where necessary
- Wear enclosed gloves when handling lamp
- Handle materials with care. Please consult lamp maintenance sheet on our web site

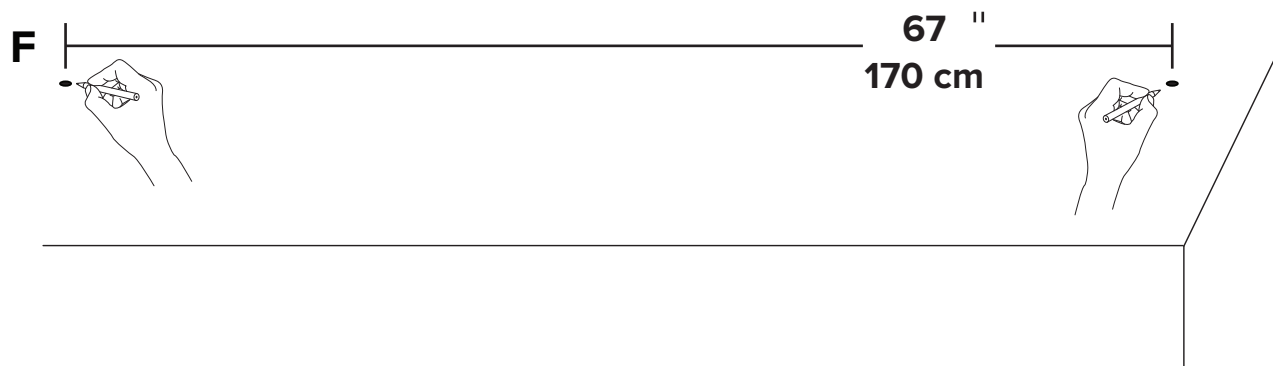
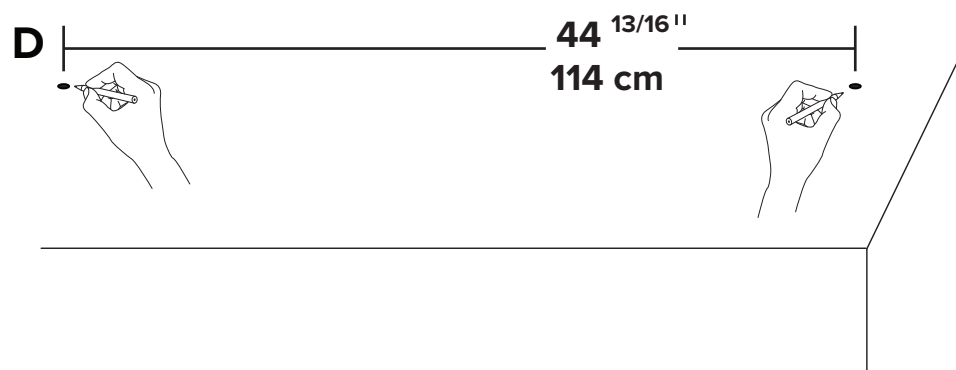
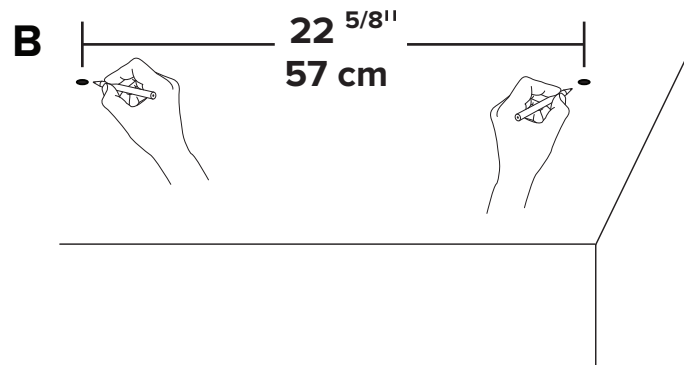


INSTALL AND ADJUST AIRCRAFT CABLES

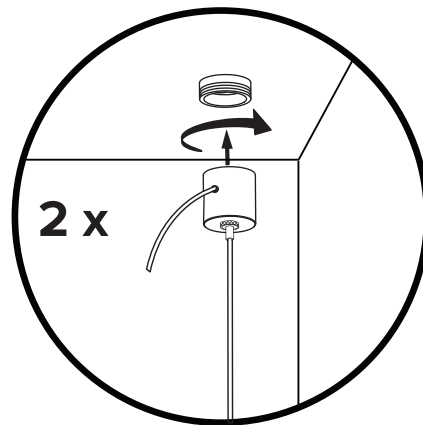
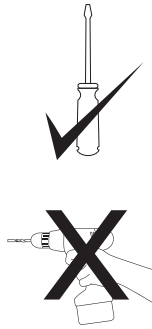
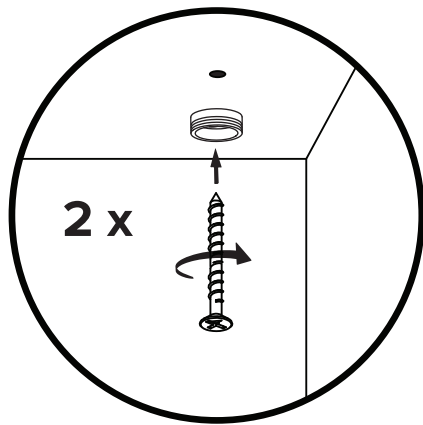
STEPS 1-3

1

Mark your anchor
points on the ceiling
according to your model

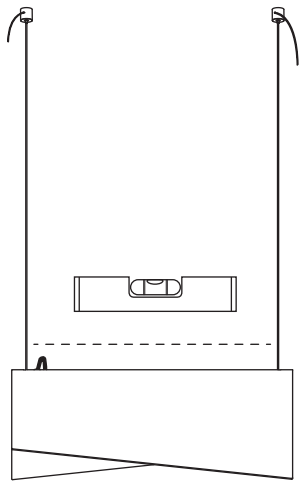


2

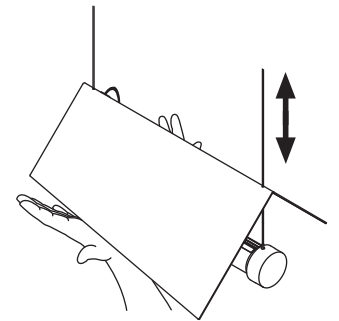
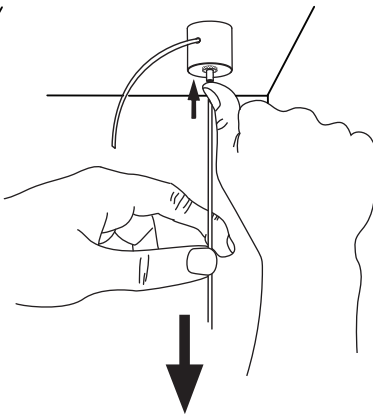
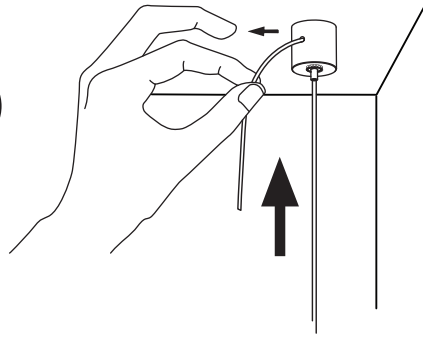
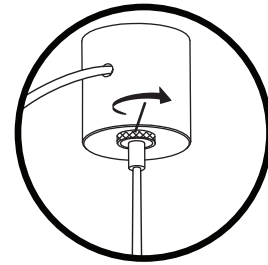
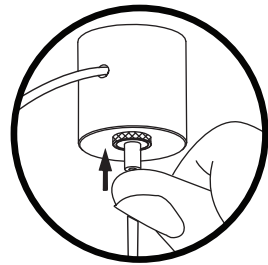
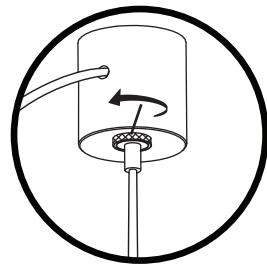


Make sure you use appropriate anchors and screws for your ceiling material and luminaire weight.

	aluminum	brass
B	3.6lbs / 1.6kg	11.3lbs / 5.1kg
D	7lbs / 3.2kg	21.8lbs / 9.9kg
F	10.3lbs / 4.7kg	32lbs / 13.6kg



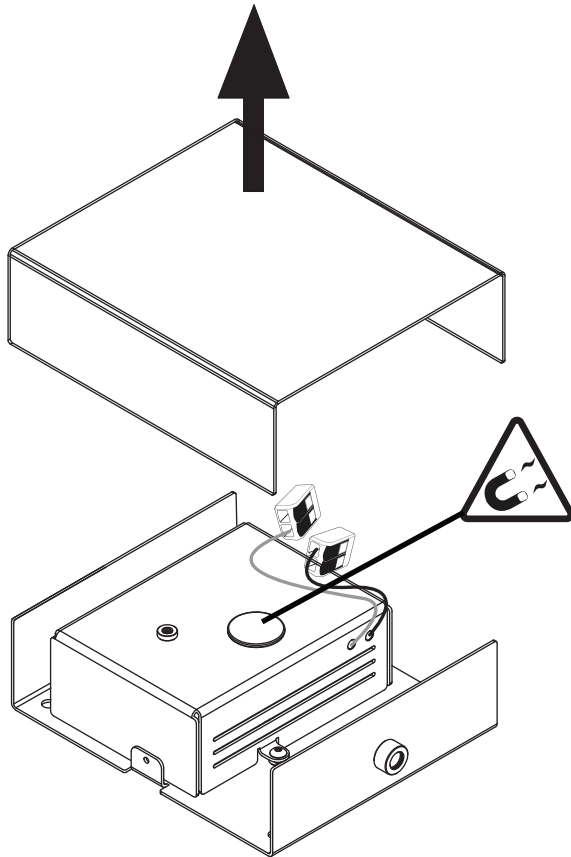
3



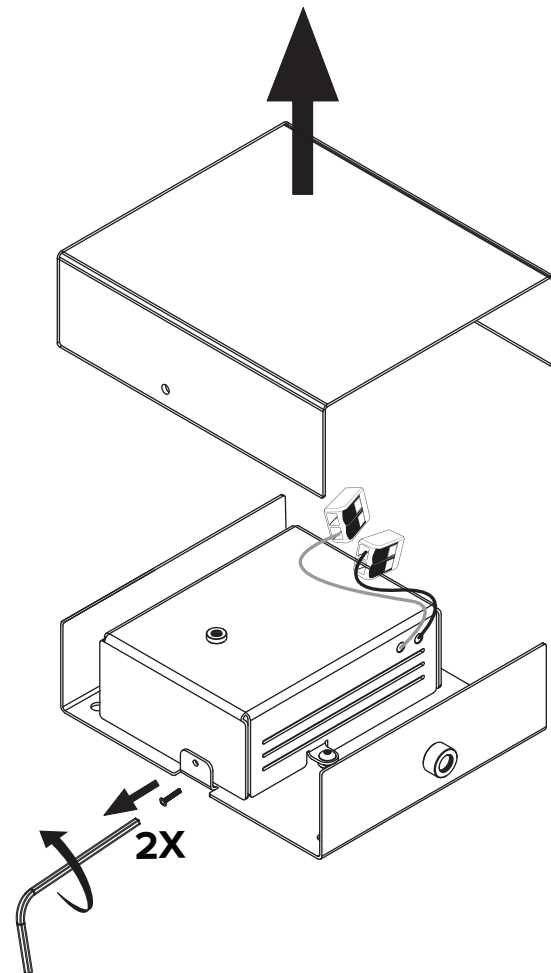
4

Open canopy cover.
Depending on your location
the cover is either held in
place by magnets or by
2 screws.

Canopy with magnet



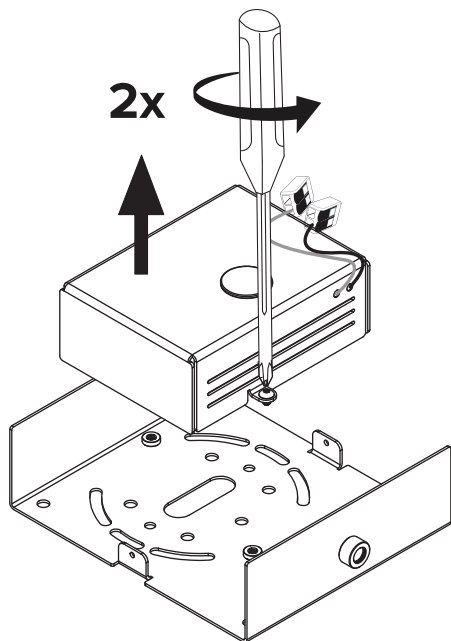
Canopy with screws



OR

5

Unscrew driver housing. It is held in place by two screws. Place the housing aside.



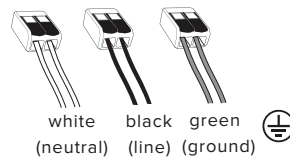
INSTALL EXTENSION HARNESS TO LINE/MAIN VOLTAGE

6

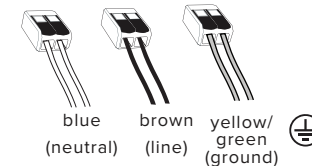
Connect the extension harness to the junction box. The harness is shipped with the canopy.



for 120 V wiring

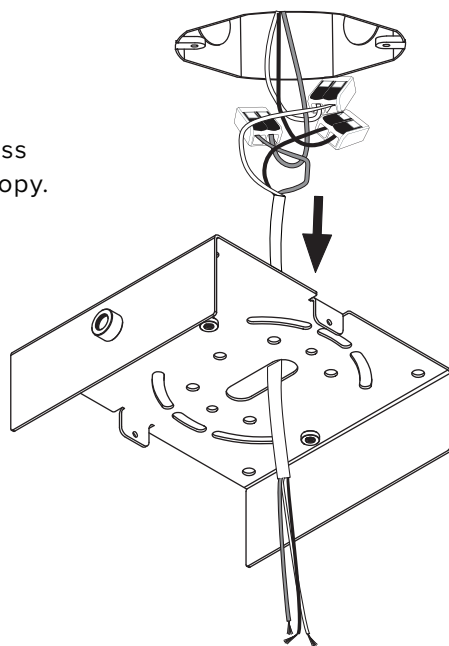


for 220-240 V wiring



7

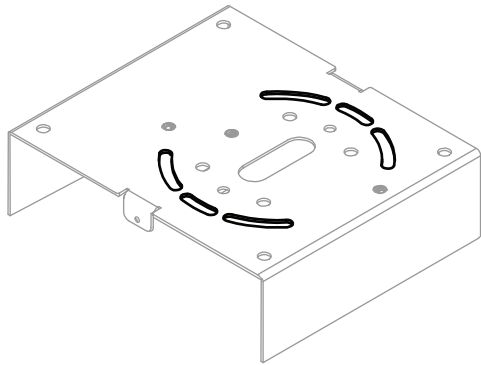
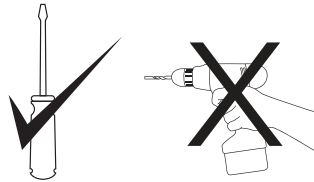
Pass the extension harness through center hole of canopy.



MOUNT CANOPY BRACKET

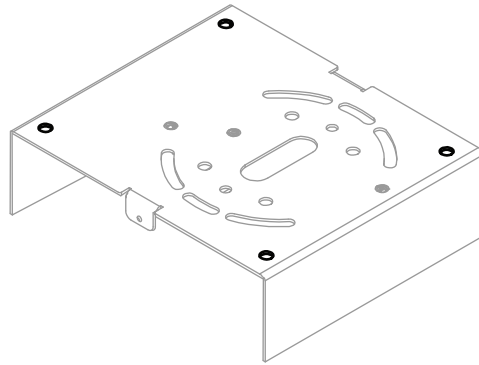
8

The canopy can either be mounted to the junction box or directly to the ceiling using appropriate holes.

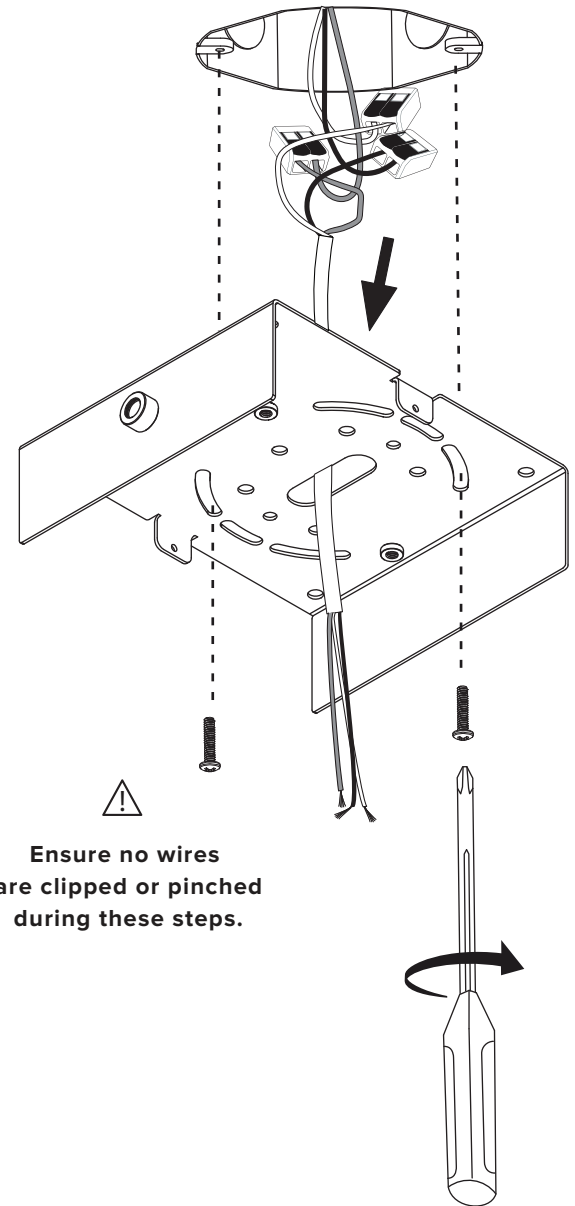


To junction box

OR



directly to the ceiling
*use appropriate anchors

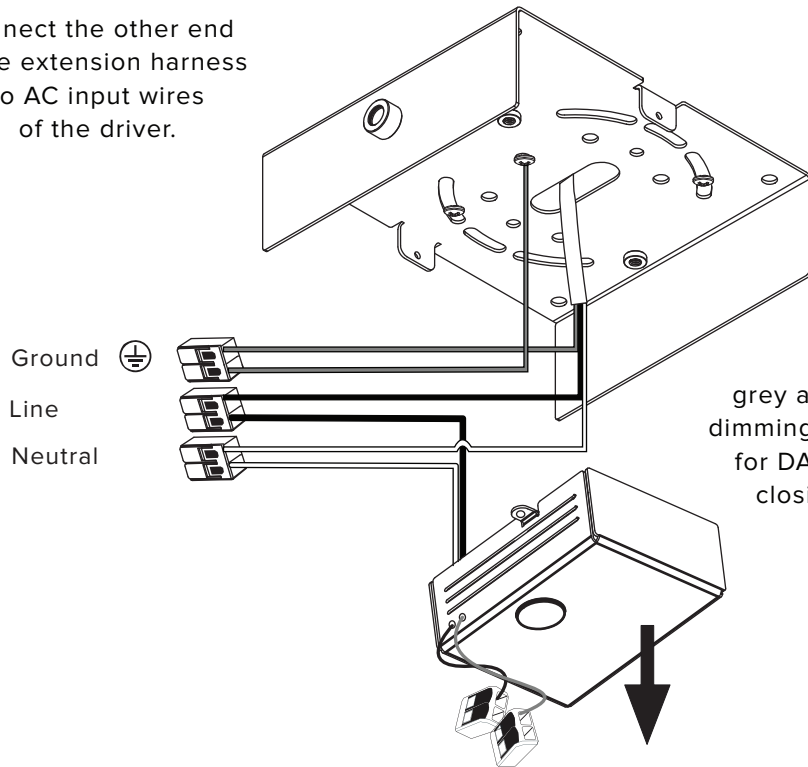


Ensure no wires are clipped or pinched during these steps.

CONNECT EXTENSION HARNESS (ELECTRICAL BOX) TO DRIVER'S AC INPUT WIRES

9

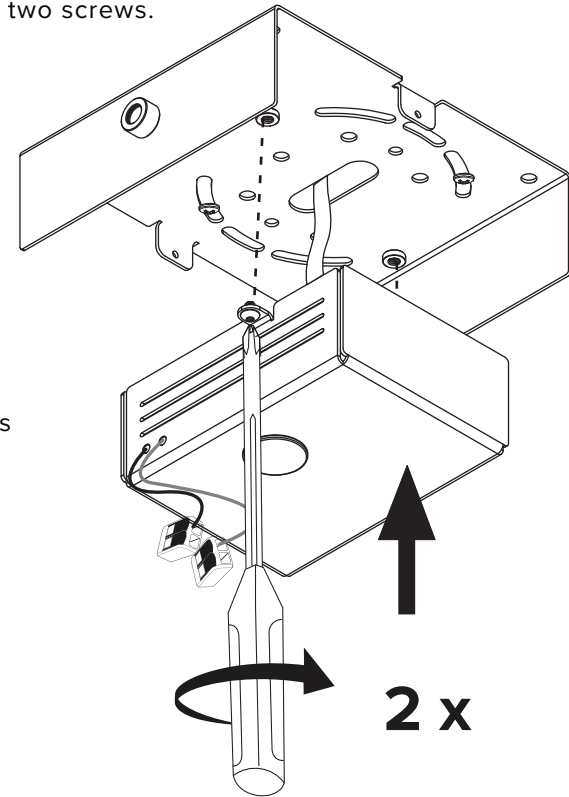
Connect the other end of the extension harness to AC input wires of the driver.



If applicable, use grey and purple wires for 0-10V dimming circuit, or the orange wires for DALI dimming circuit before closing the driver enclosure.

10

Carefully close driver enclosure. It is held by two screws.

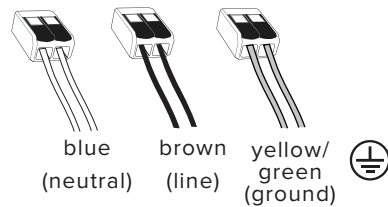
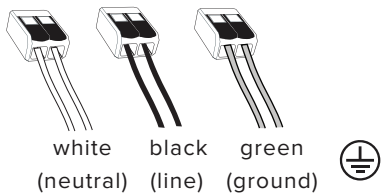


Ensure no wires are clipped or pinched during these steps.

for 120 V wiring

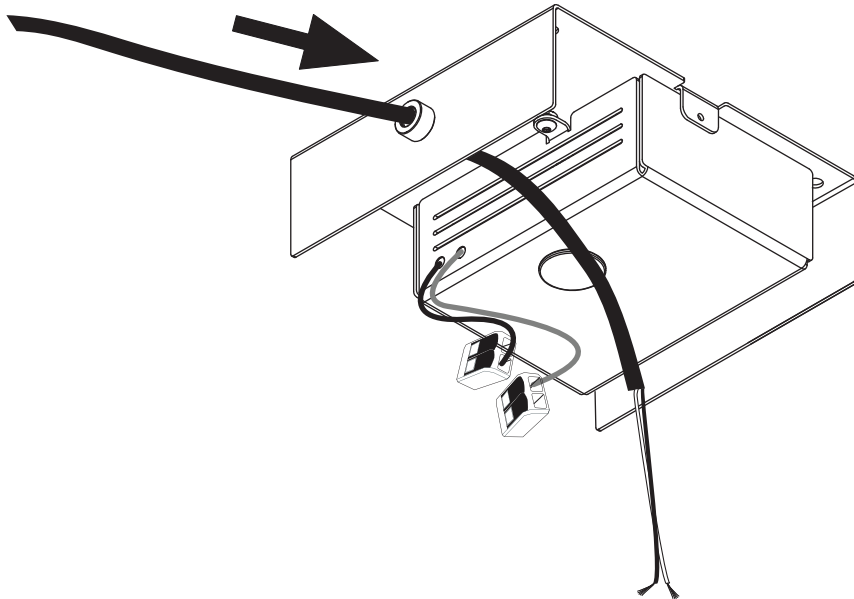


for 220-240 V wiring



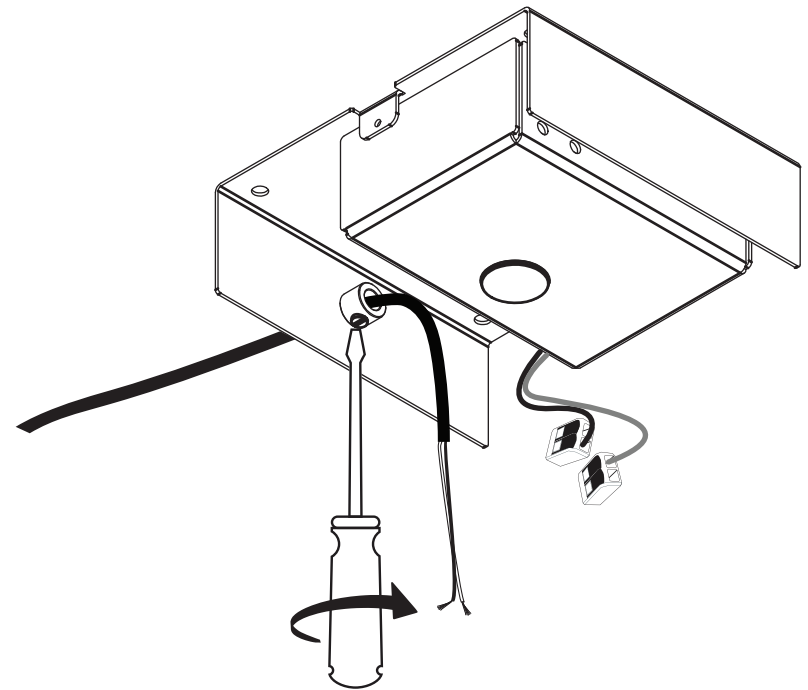
11

Feed luminaire cord into the canopy strain relief.



12

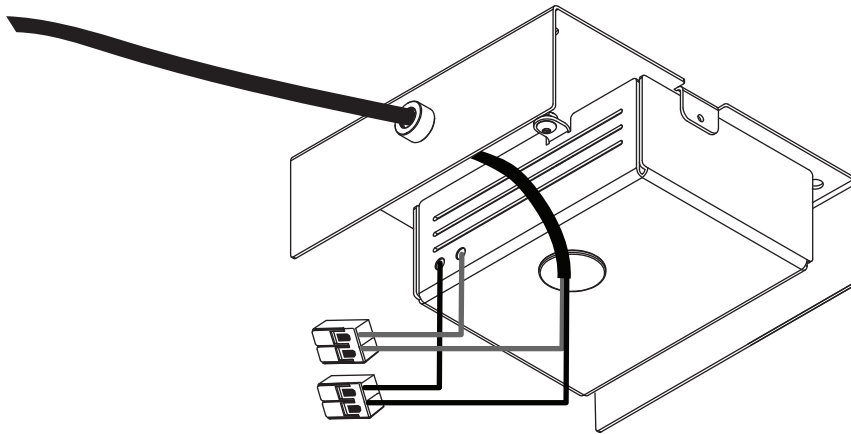
Tighten strain relief set screw when desired cord length is reached.



*screw gently but firmly

CONNECT LUMINAIRE CORD TO DRIVER DC WIRES

13

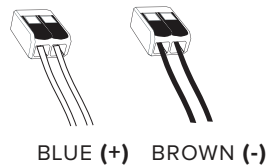


Trim end of cord
to resemble this.

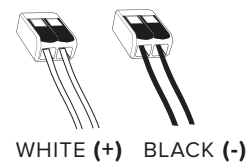
6" (153 mm)

Cut green/yellow
as short as possible.
It is not used in
this assembly

Depending on your location,
the luminaire cord will either be
Blue (+) and brown (-)
or
White (+) and Black (-)

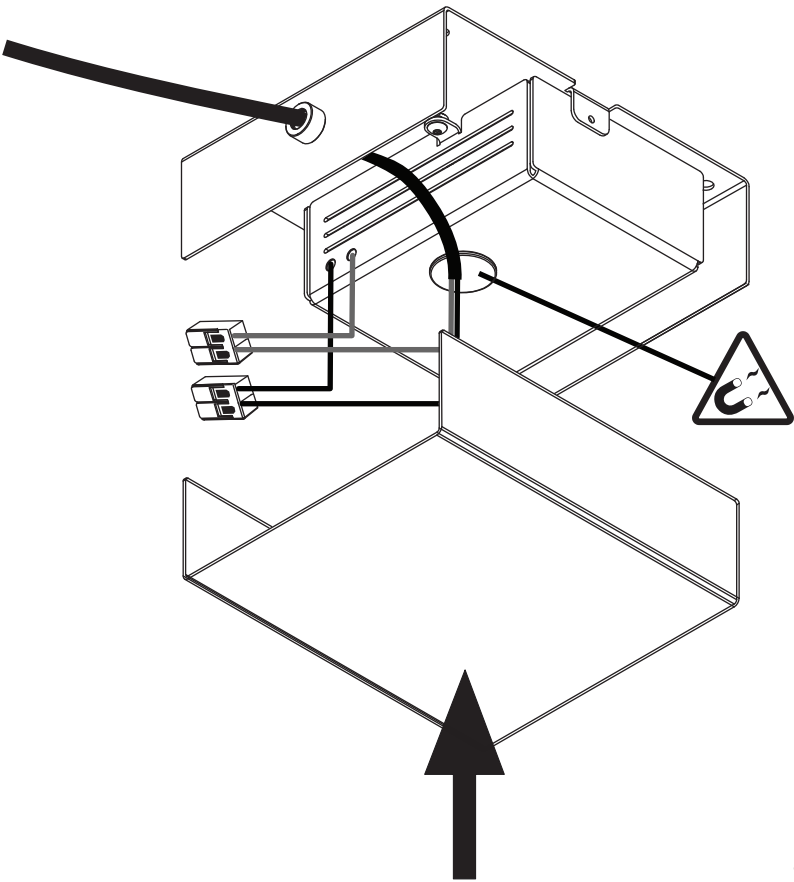


OR

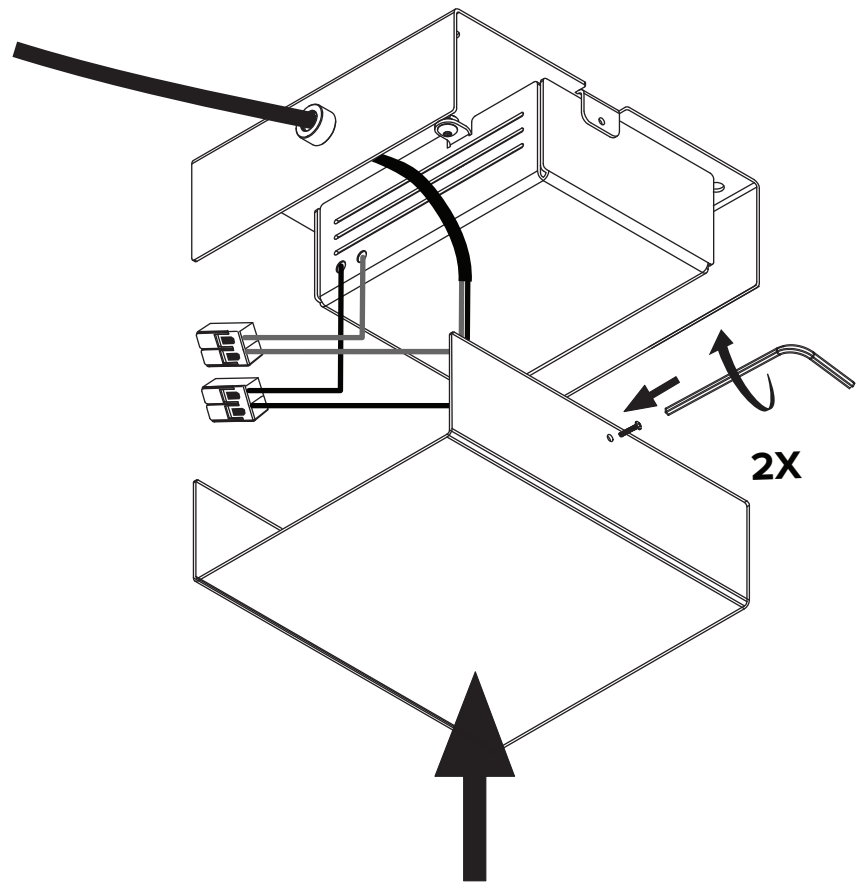


Close housing.
The canopy cover is secured
in place by a magnet or two screws
depending on your model
and location.

Canopy with magnet



Canopy with screws



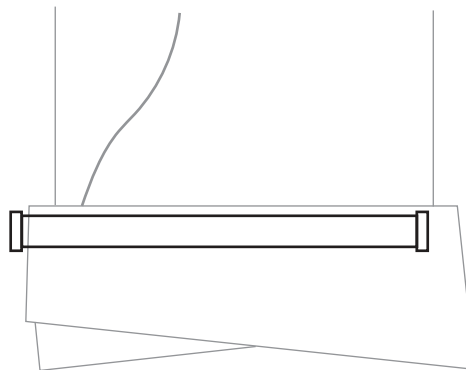
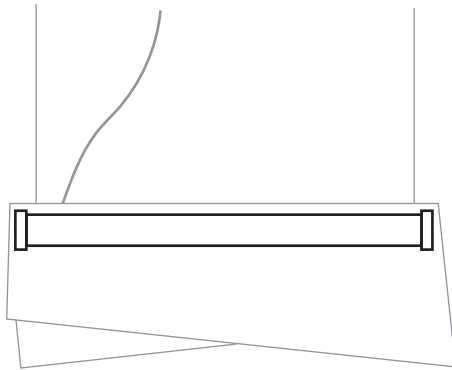
⚠
Ensure no wires
are clipped or pinched
during this step.

CHECK LENS ALIGNMENT

STEP 13

15

The lens may have shifted. Readjust lens to center it if necessary.



16

Cut excess cable when level and desired height are achieved.

