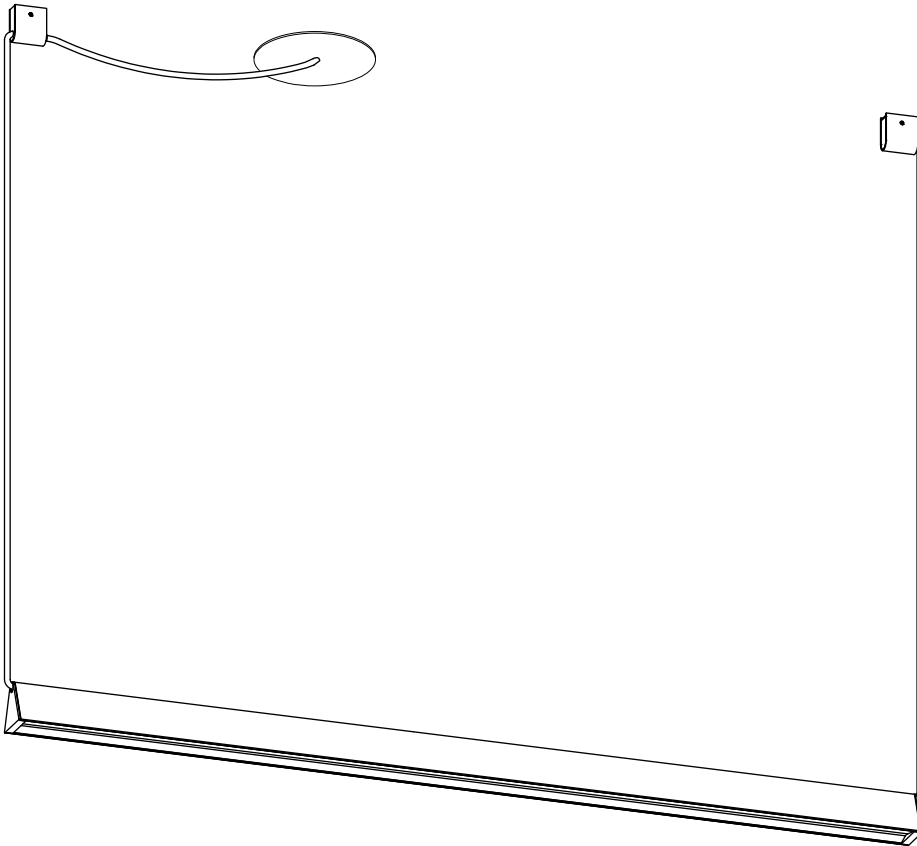


---

## MILE 04 A,B,C 120V

---

(phase and 0+10V dimming)  
Plenum or remote installation



- Please read entire manual before beginning installation
- To be installed by an electrician
- Use appropriate screws and anchors where necessary
- Wear enclosed gloves when handling lamp
- Handle materials with care. Please consult lamp maintenance sheet on our web site

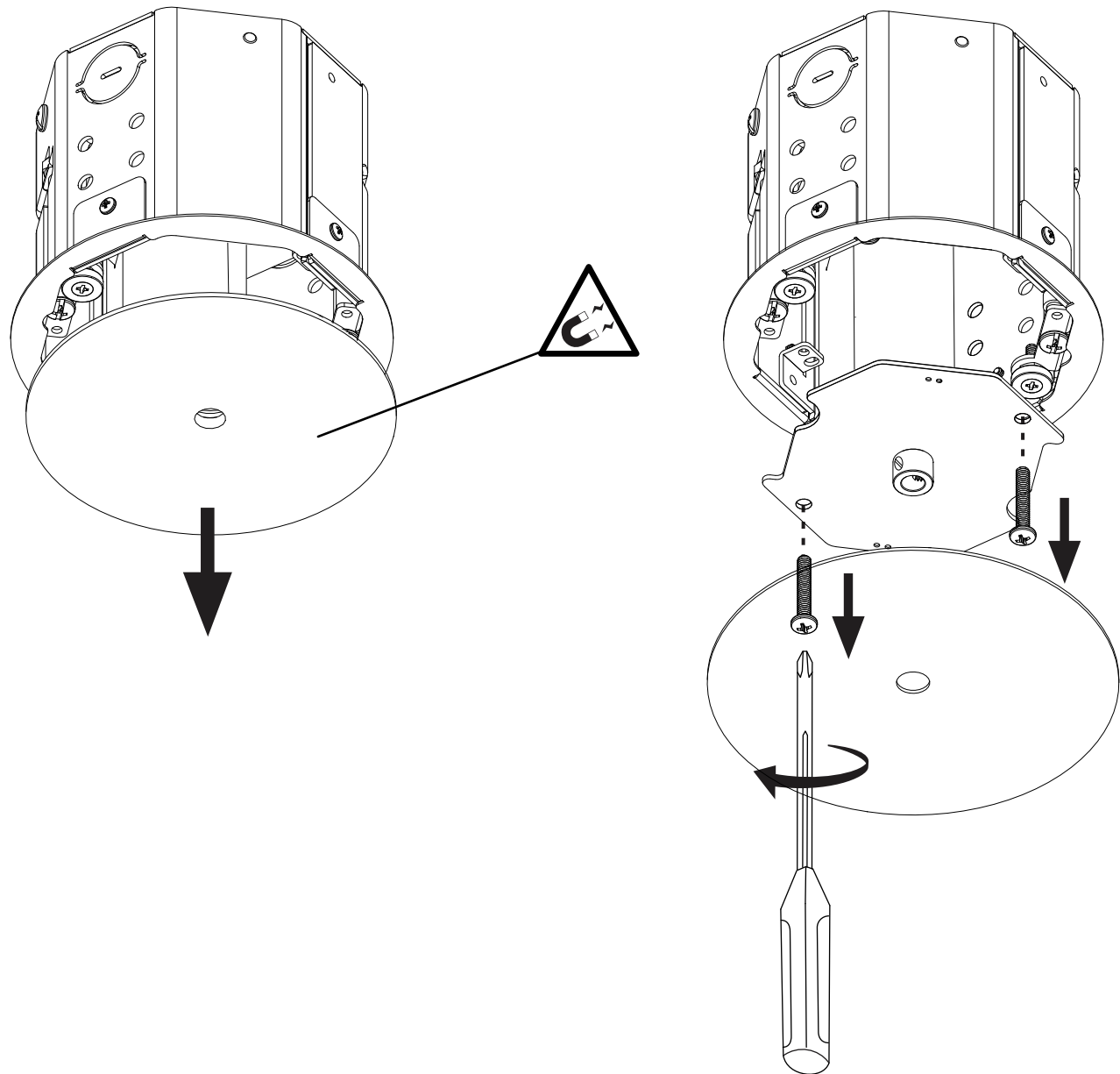


**Never turn on power supply  
until installation is completed**

1

Remove Octobox cover plate and strain relief plate. It is held in place by two screws.

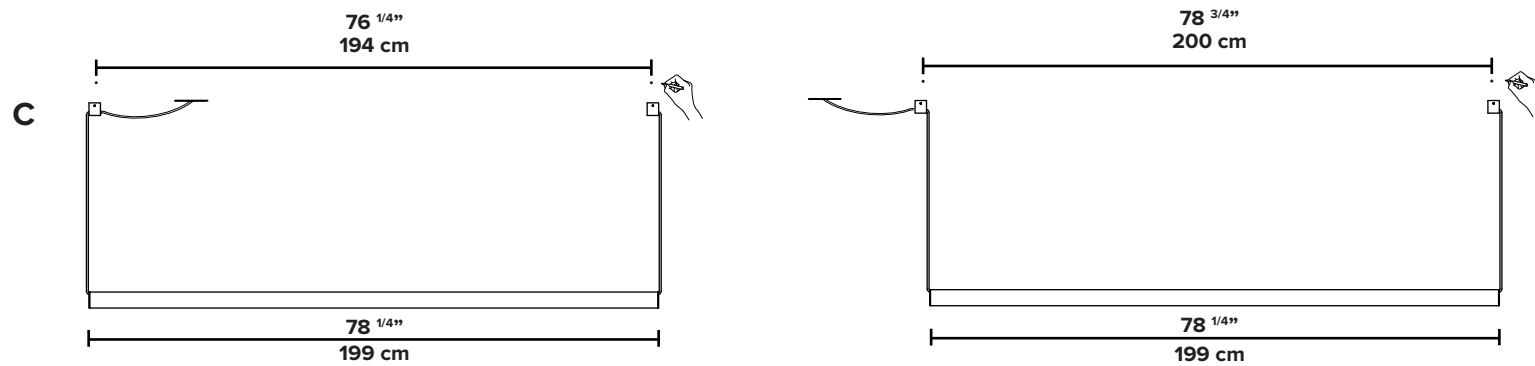
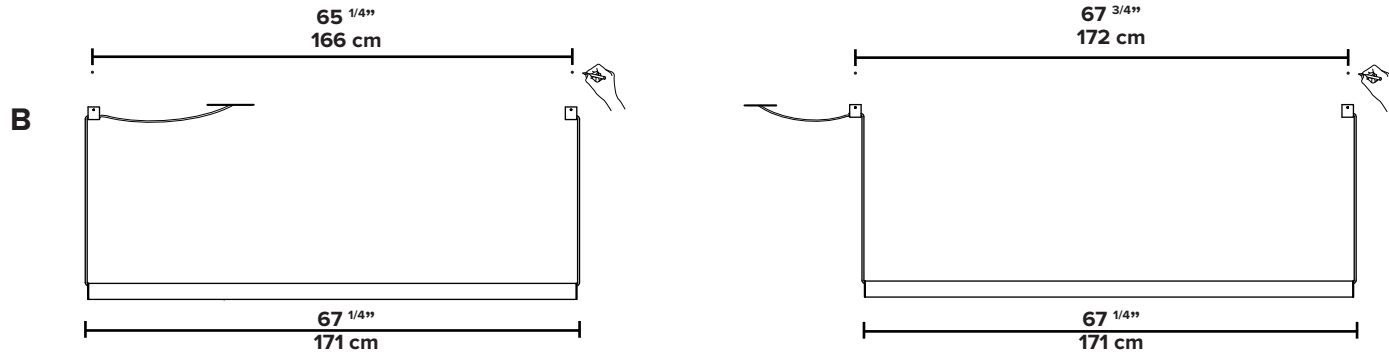
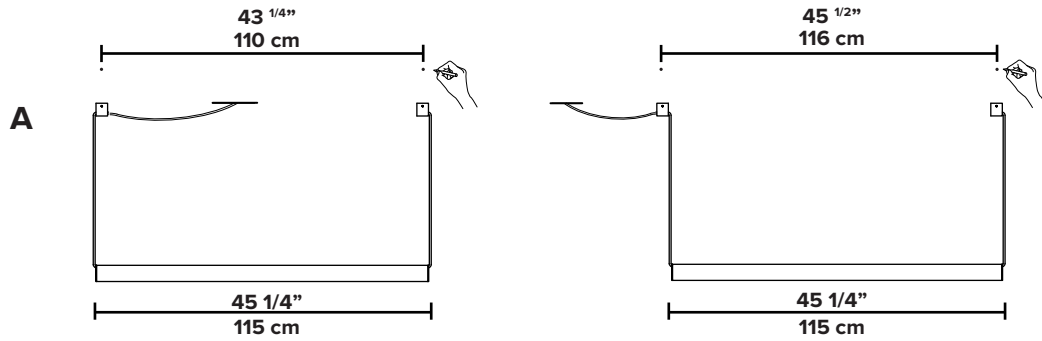
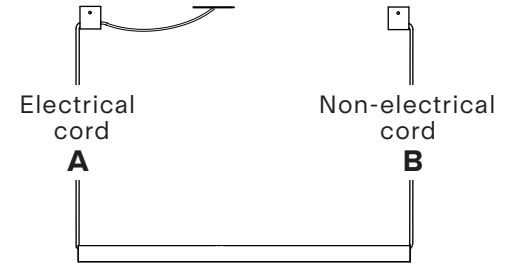
Refer to:  
Annexe A (phase dimming) - page 8  
Annexe B (0-10V) - page 14



2

Mark anchor locations

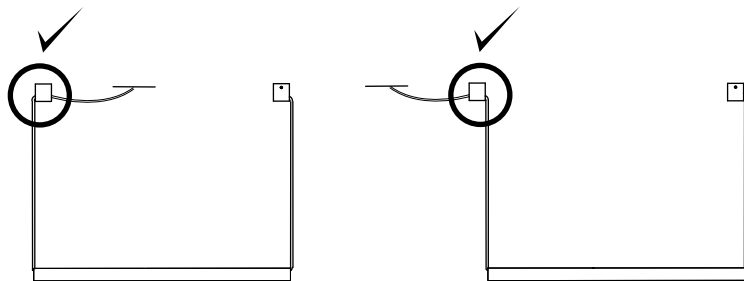
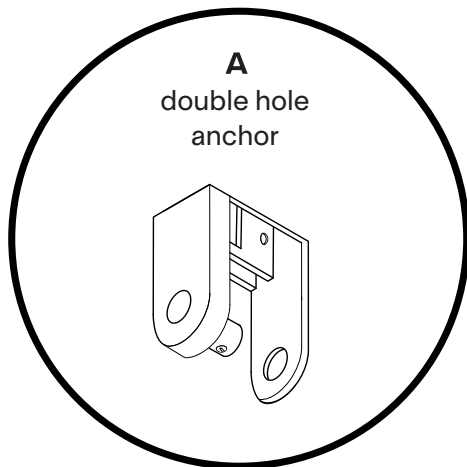
Be sure all ceiling holes are aligned.  
We recomend you mount luminaire with  
uplight aligned with junction box.



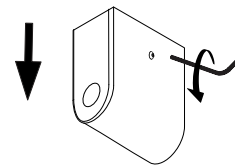
3

Mount double hole anchor  
with electrical cord

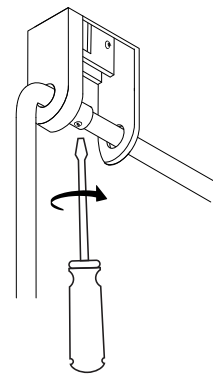
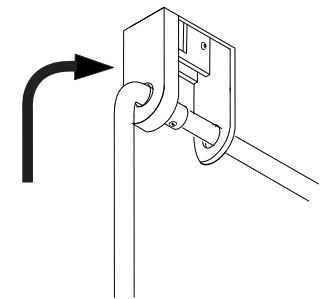
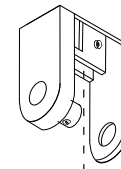
Pull wires to straighten them  
before mounting them.



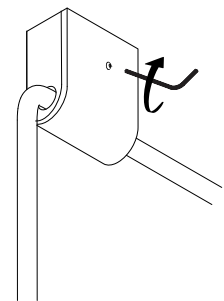
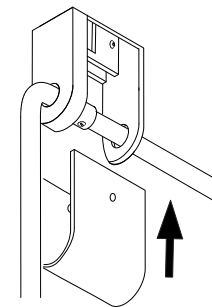
Make sure to use appropriate  
anchors for ceiling material



Remove or install  
cover by screwing and  
unscrewing set screw



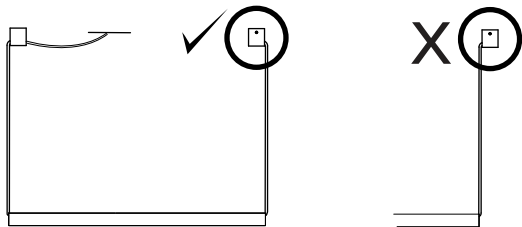
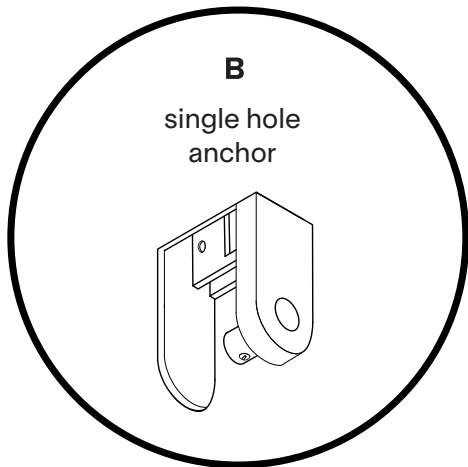
Screw gently, but firmly




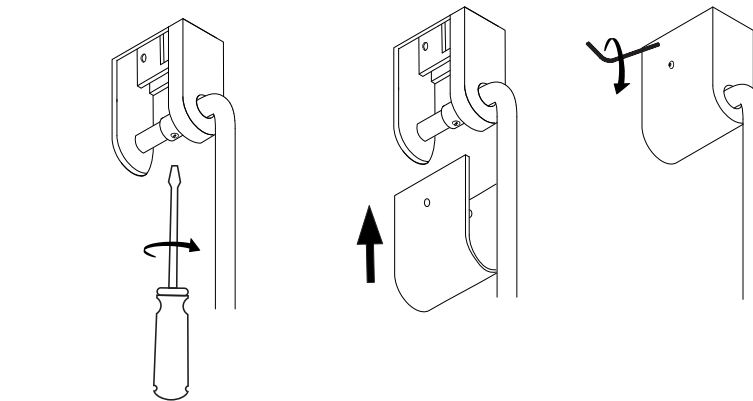
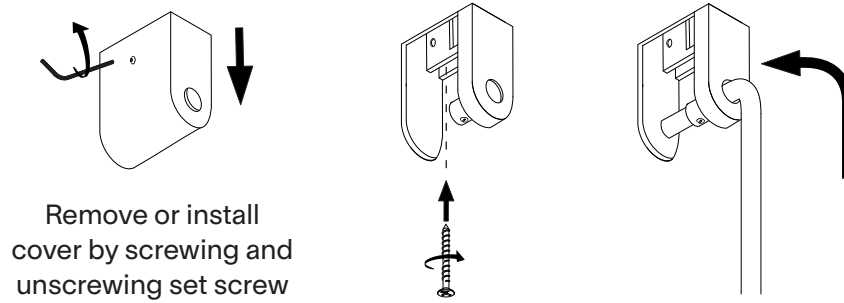
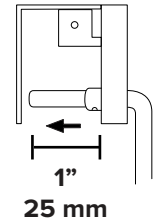
4

Mount single hole anchor with non-electrical cord

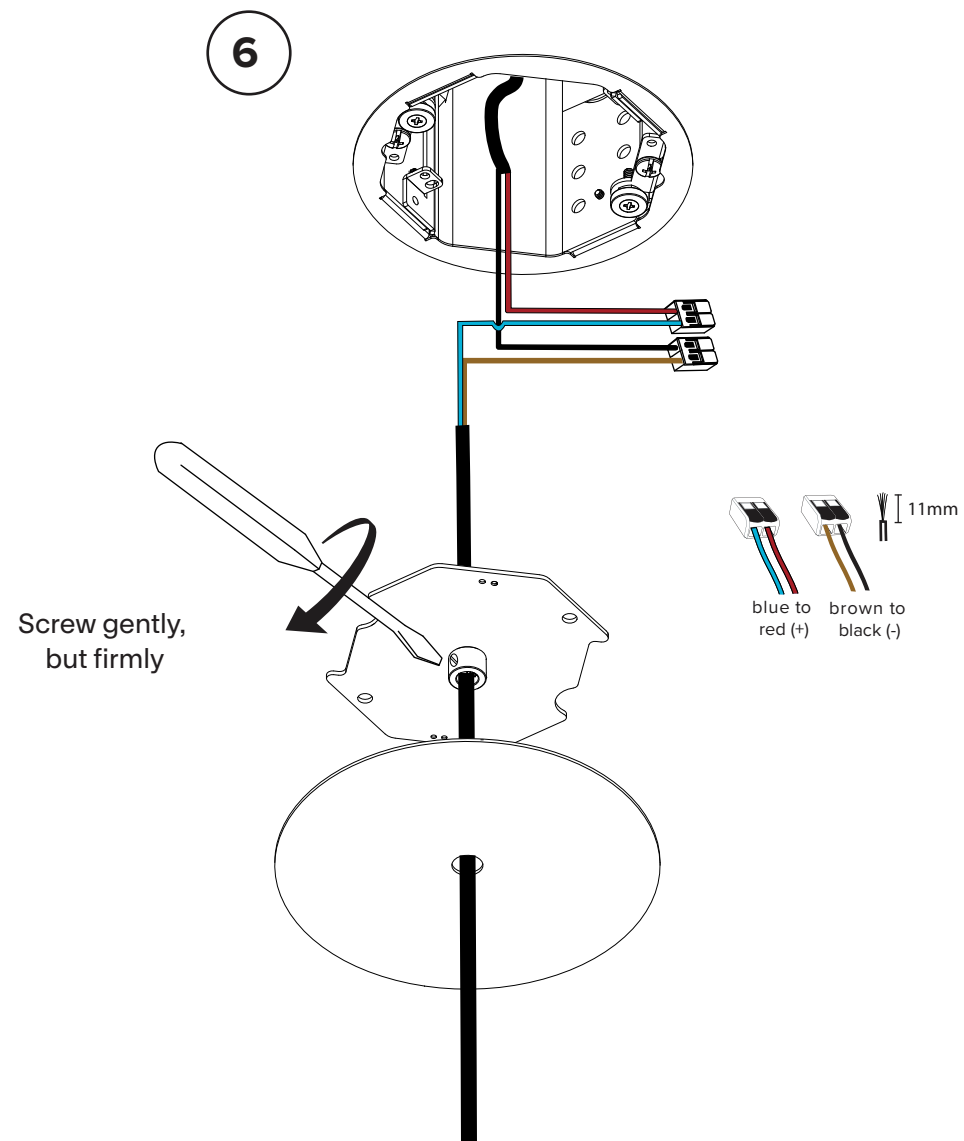
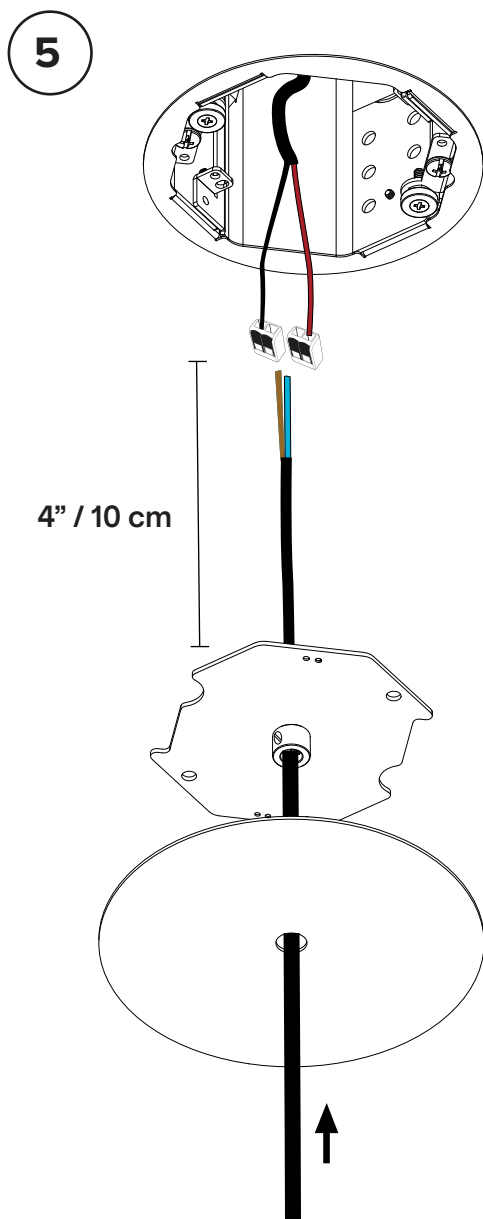
Pull wires to straighten them before mounting them.



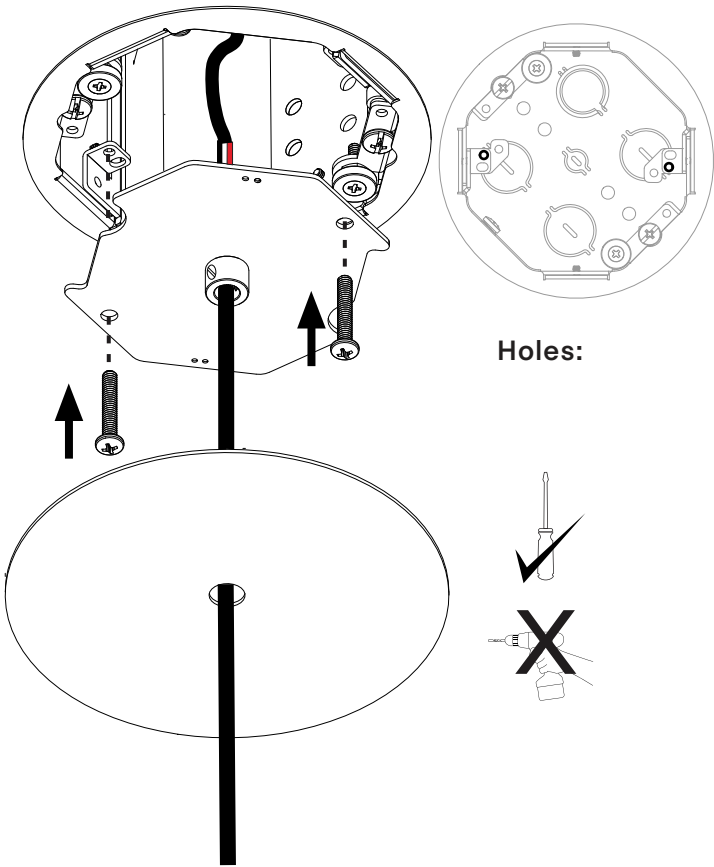
 Make sure to use appropriate anchors for ceiling material



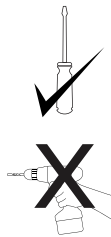
Steps to be completed AFTER steps  
in recessed canopy annex



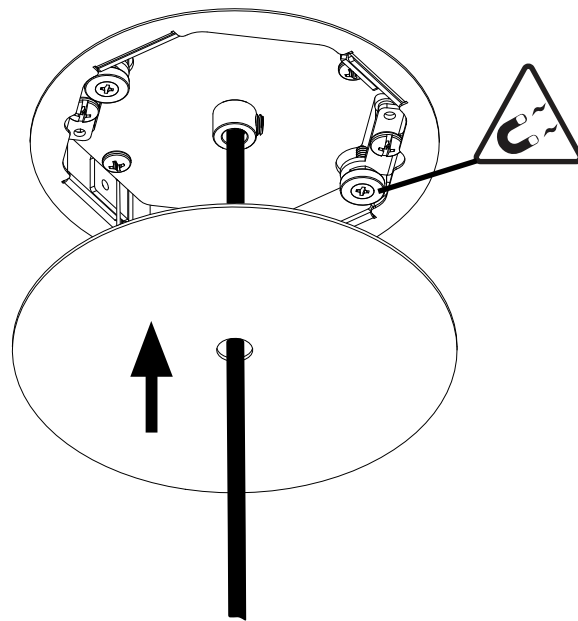
7



Holes:



8



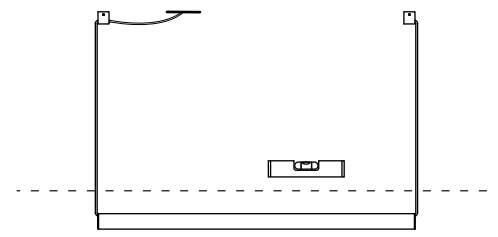
Make sure cover plate is centered on the junction box

9

### Levelling the luminaire



Before adjusting wire length or interior weight, carefully attempt to balance the luminaire by hand. The wire's flex can allow micro adjustments of their own.

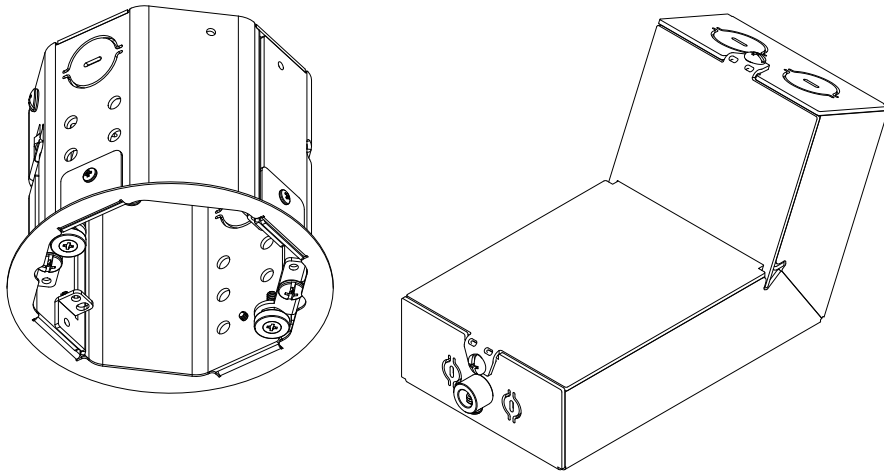



---

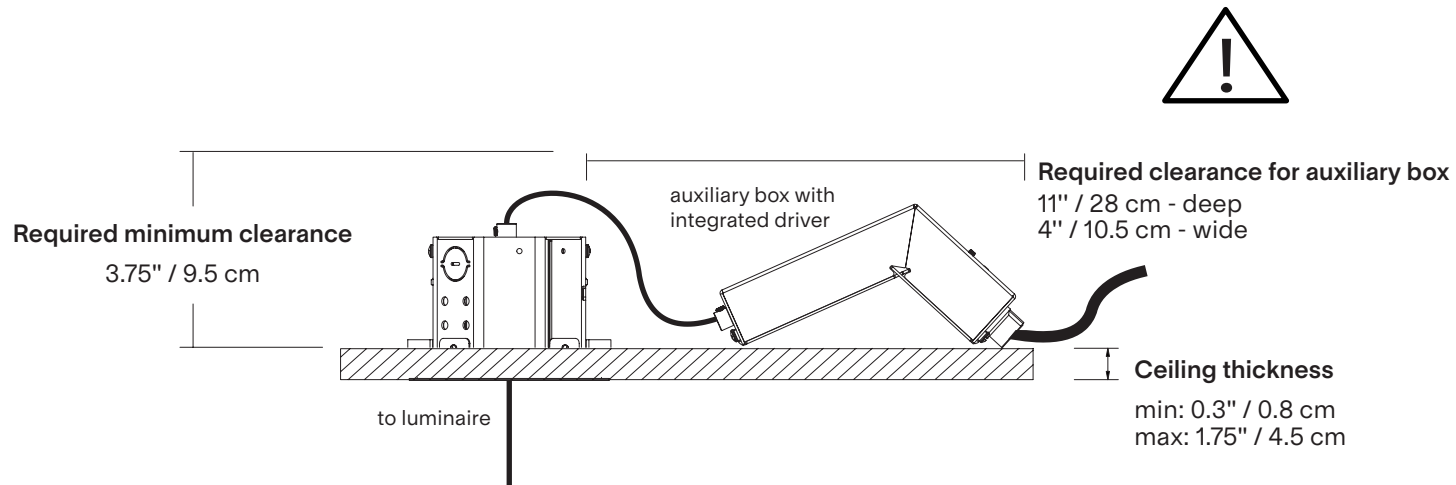
## RECESSED CANOPY ANNEX A

---

### Octobox with auxiliary box (phase and 0+10V dimming) Plenum installation

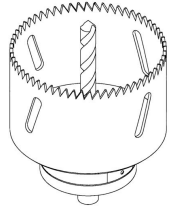
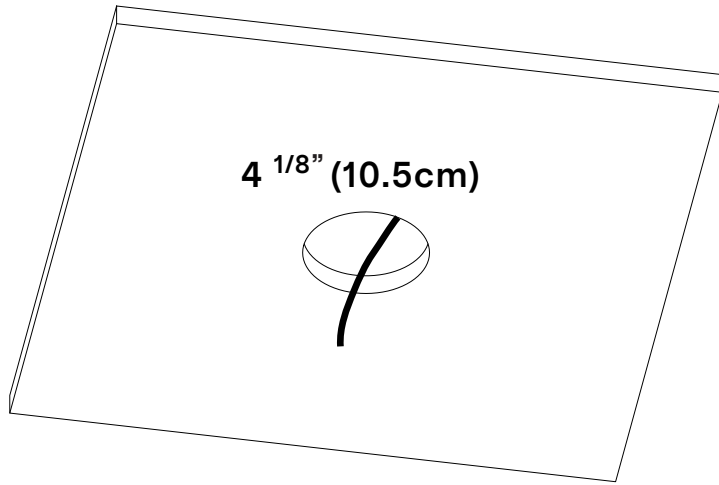


- 
- Please read entire manual before beginning installation
  - To be installed by an electrician
  - Use appropriate screws where necessary
  - For non-insulated hollow ceiling
  - Wires for plenum not provided

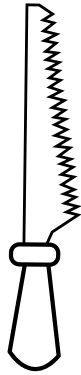




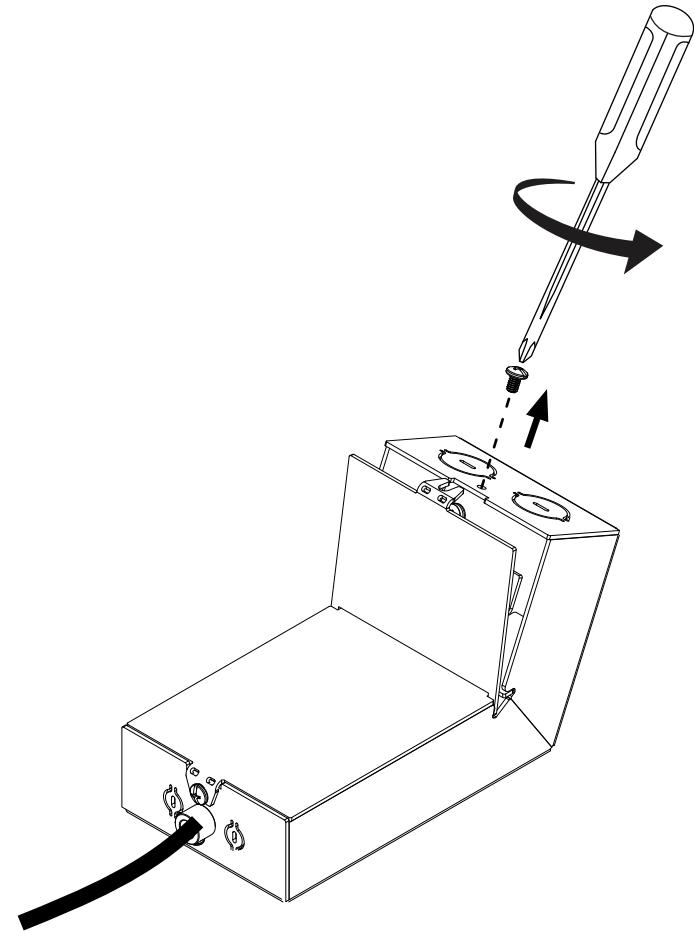
1



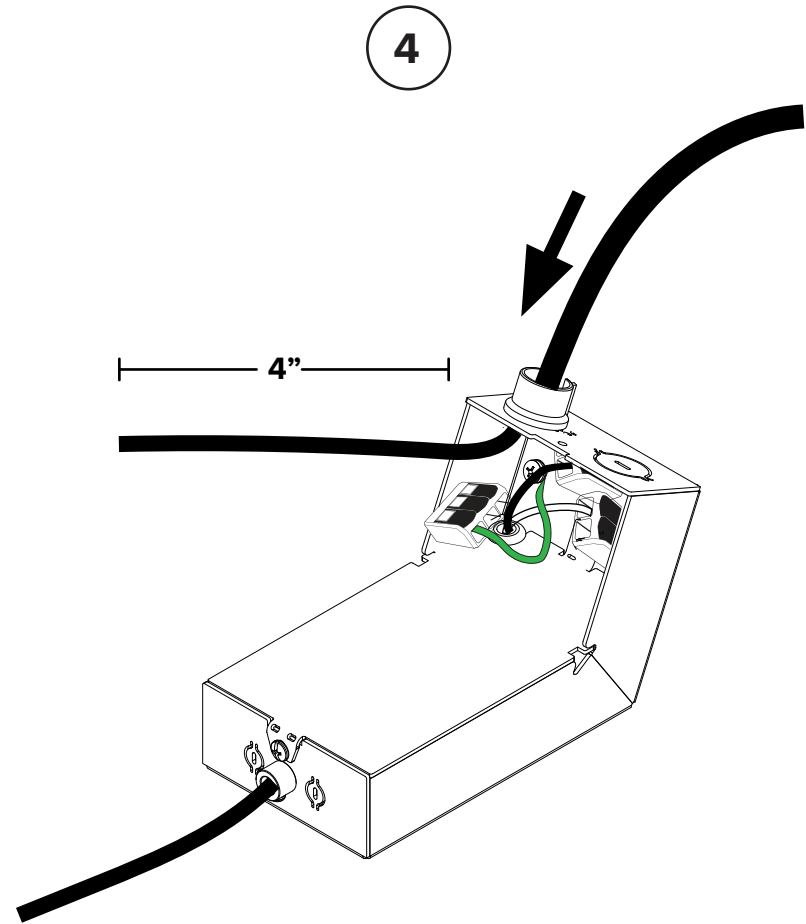
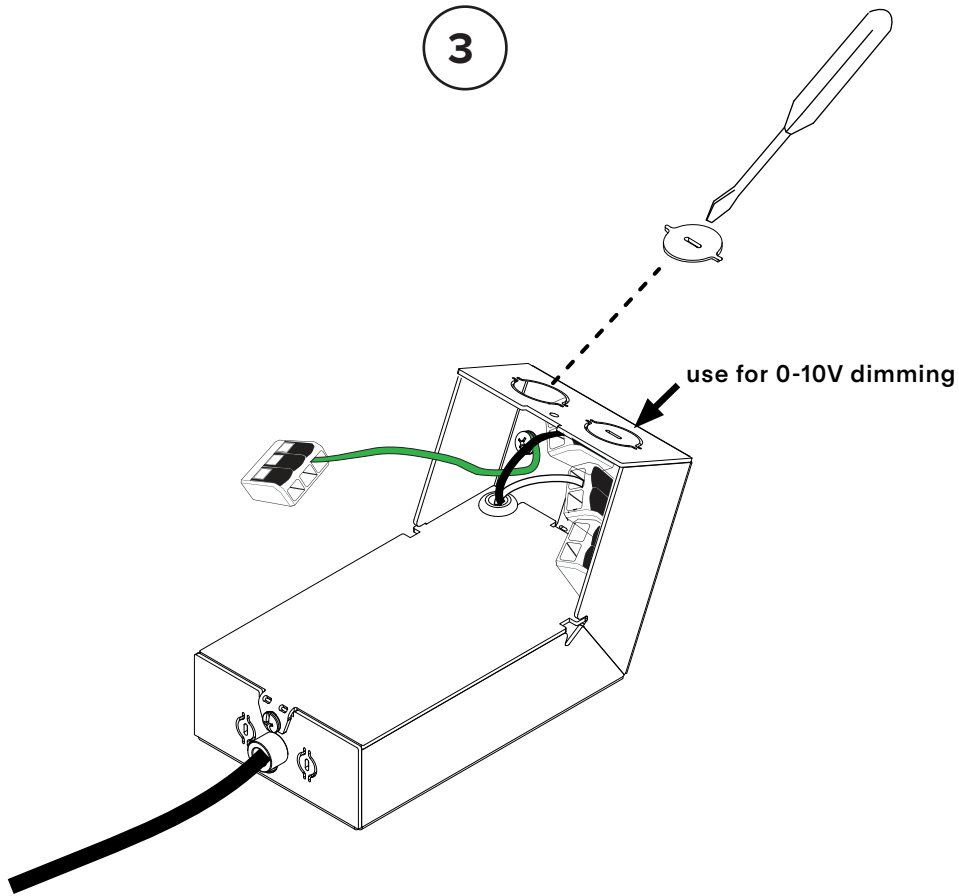
or

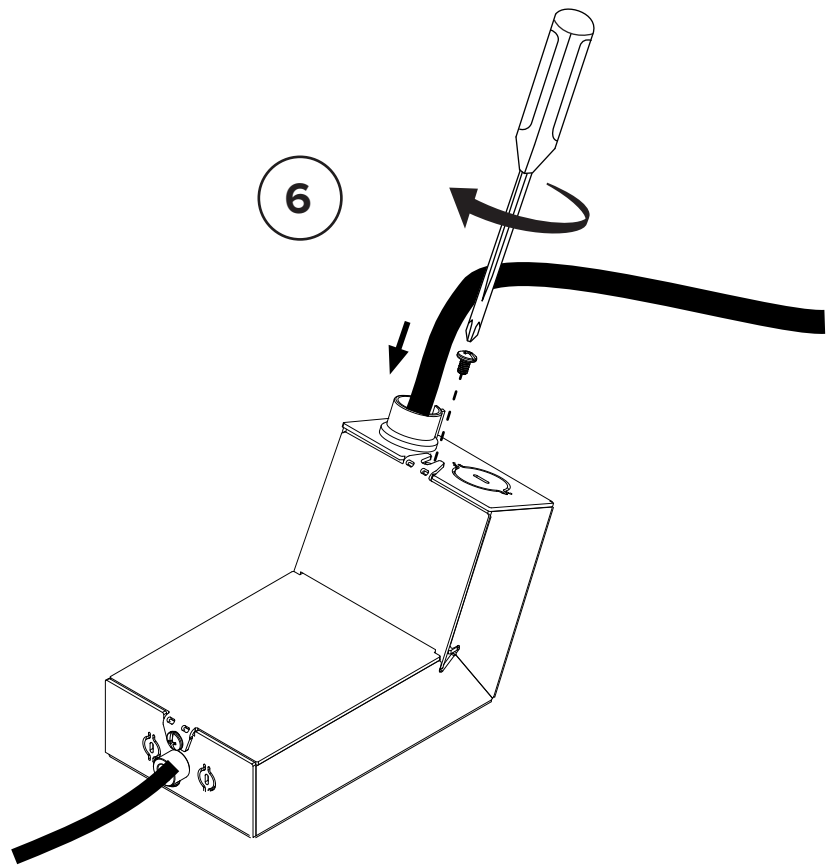
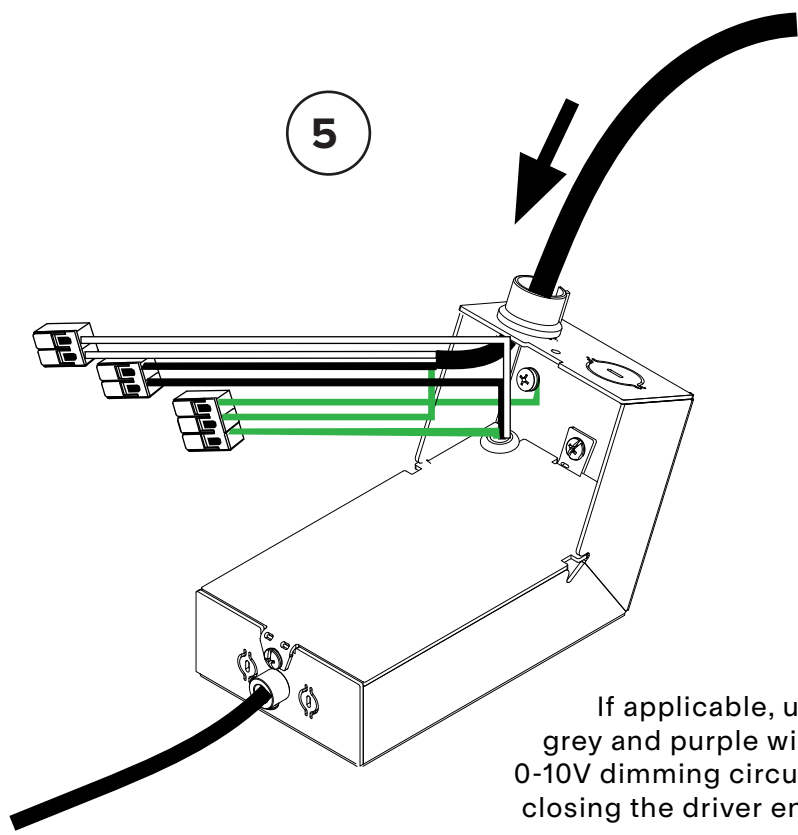


2



# PHASE DIMMING REPRESENTATION

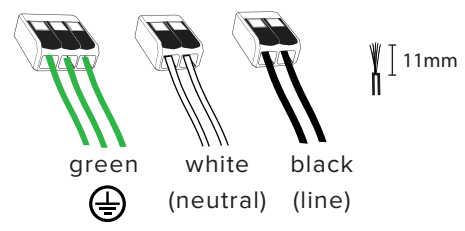




If applicable, use grey and purple wires for 0-10V dimming circuit before closing the driver enclosure.

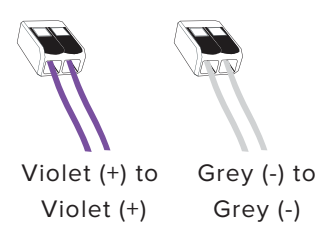
Cap wires individually if not used.

for 120 V wiring



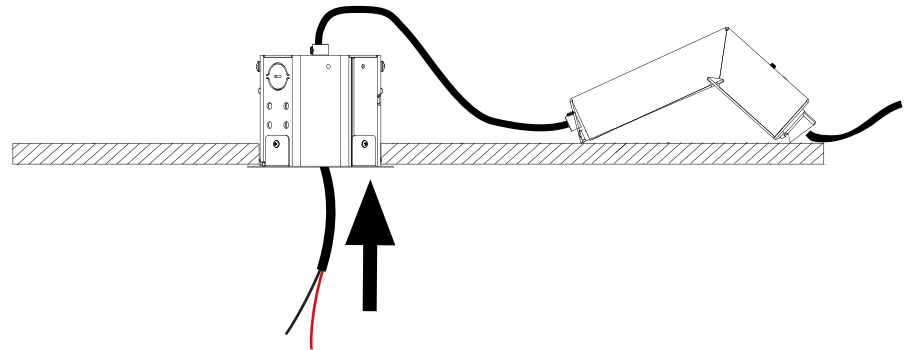
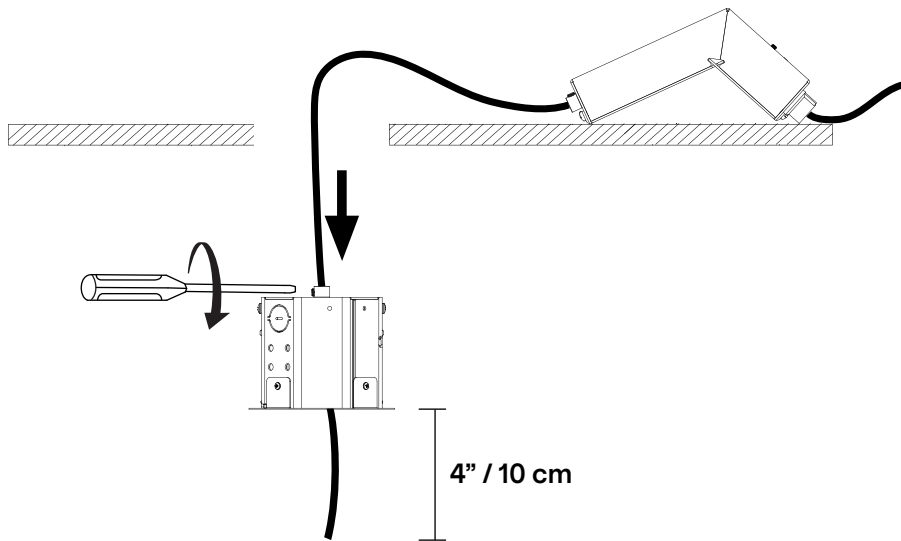
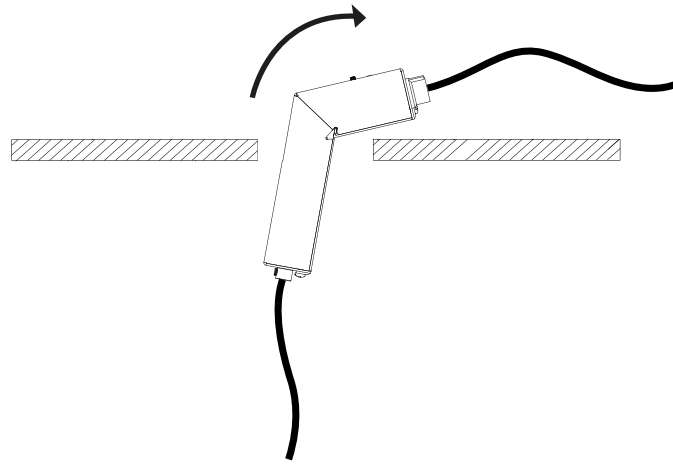
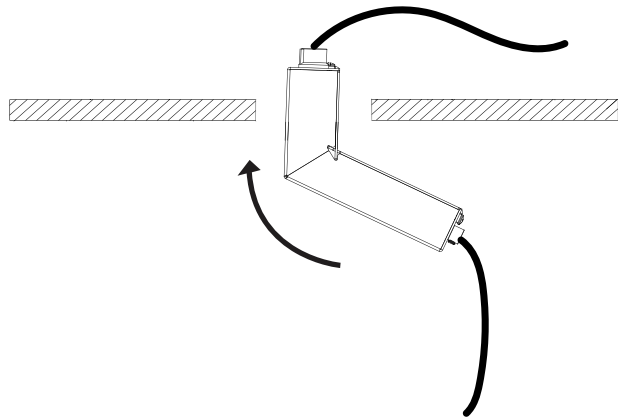
green  
white (neutral)  
black (line)

0-10V dimming



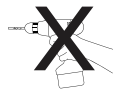
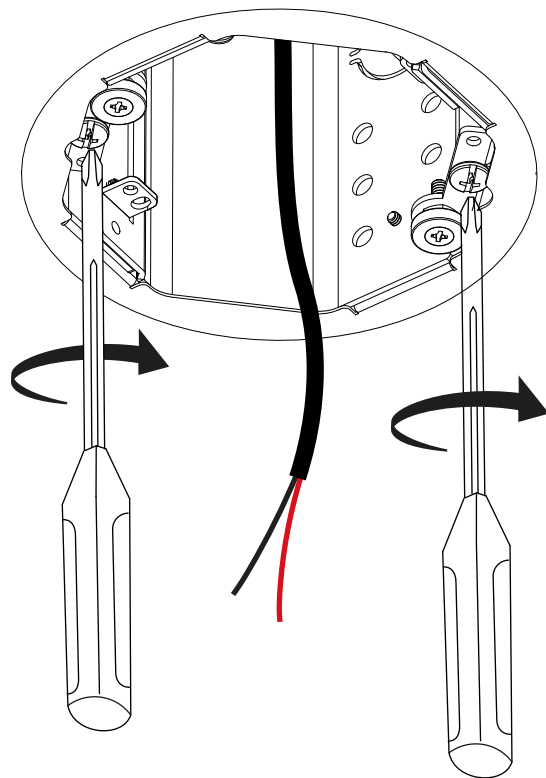
Violet (+) to Violet (+)  
Grey (-) to Grey (-)

7



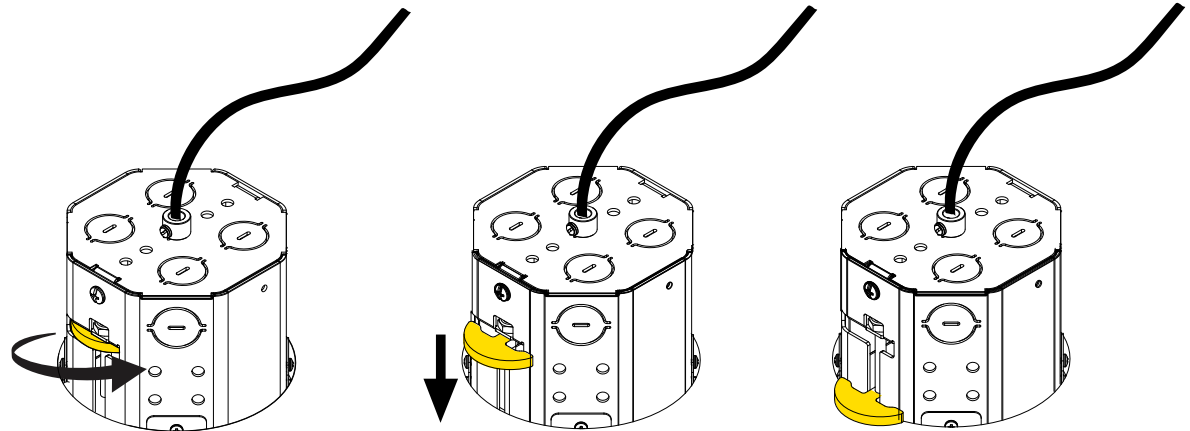
8

View from below

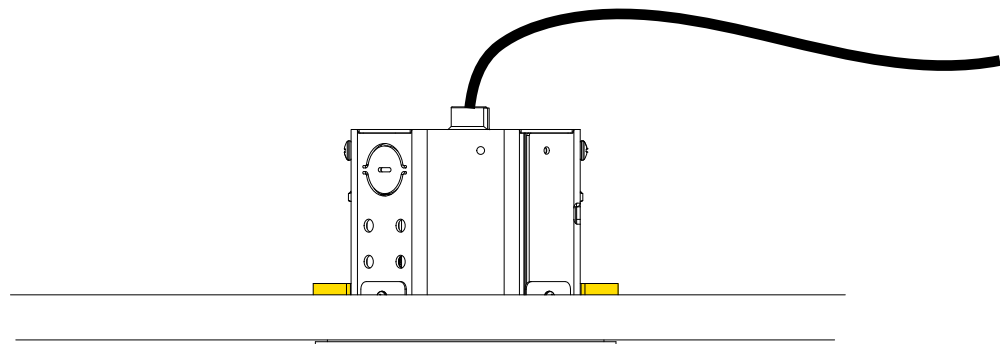


9

View from above



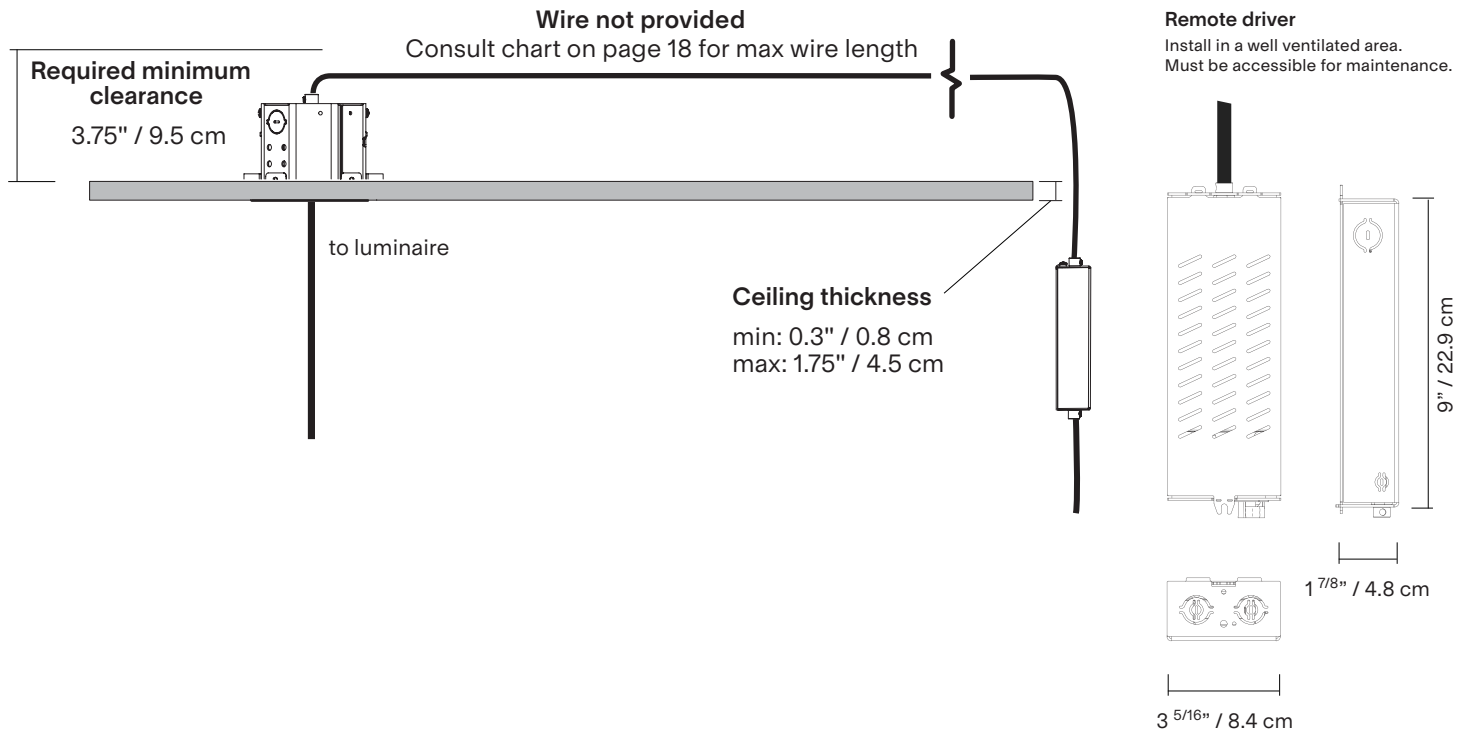
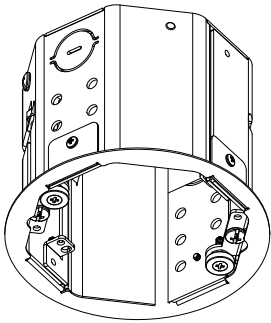
Stop when arms make contact with the surface.



The recessed canopy is now installed, return to luminaire installation steps and follow the instructions (page 3).

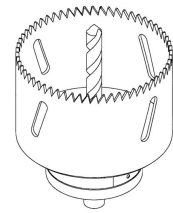
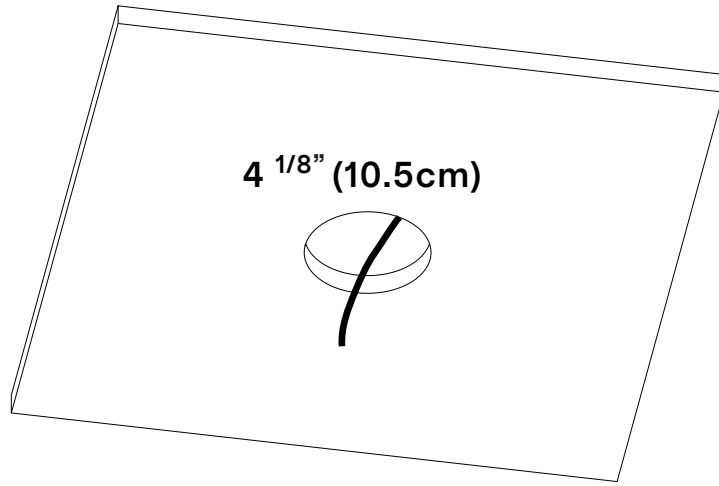
# RECESSED CANOPY ANNEX B

Octobox with remote driver  
(phase and 0-10V dimming)  
Remote installation

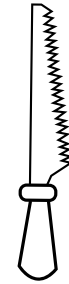


- Please read entire manual before beginning installation
- To be installed by an electrician
- Use appropriate screws where necessary
- For non-insulated hollow ceiling
- Wires for plenum not provided

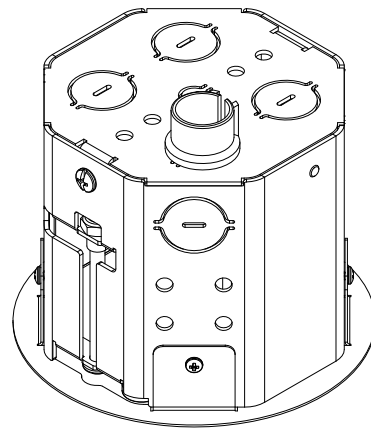
1



or

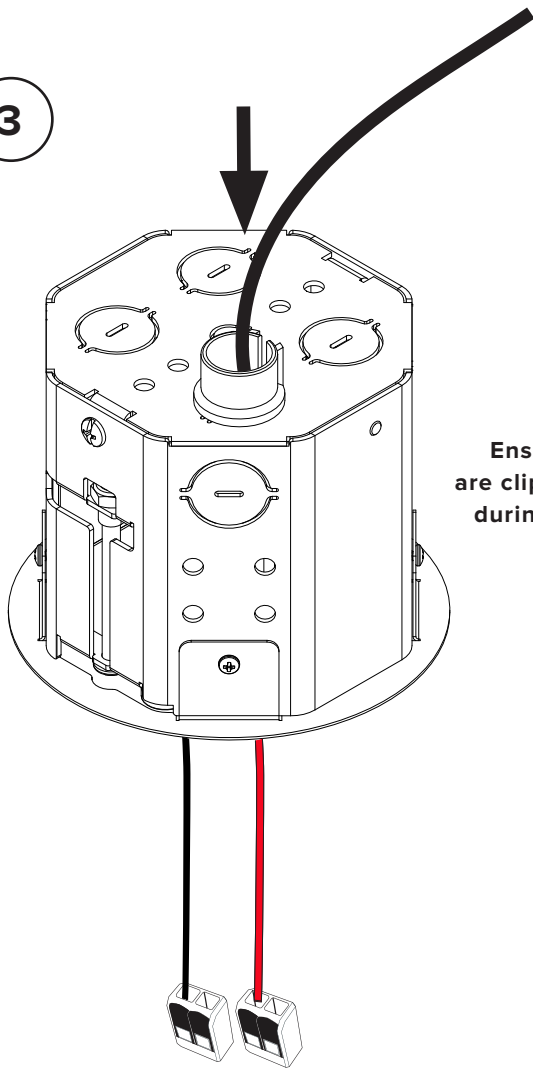


2



Install suitable connectors for your installation (not included)

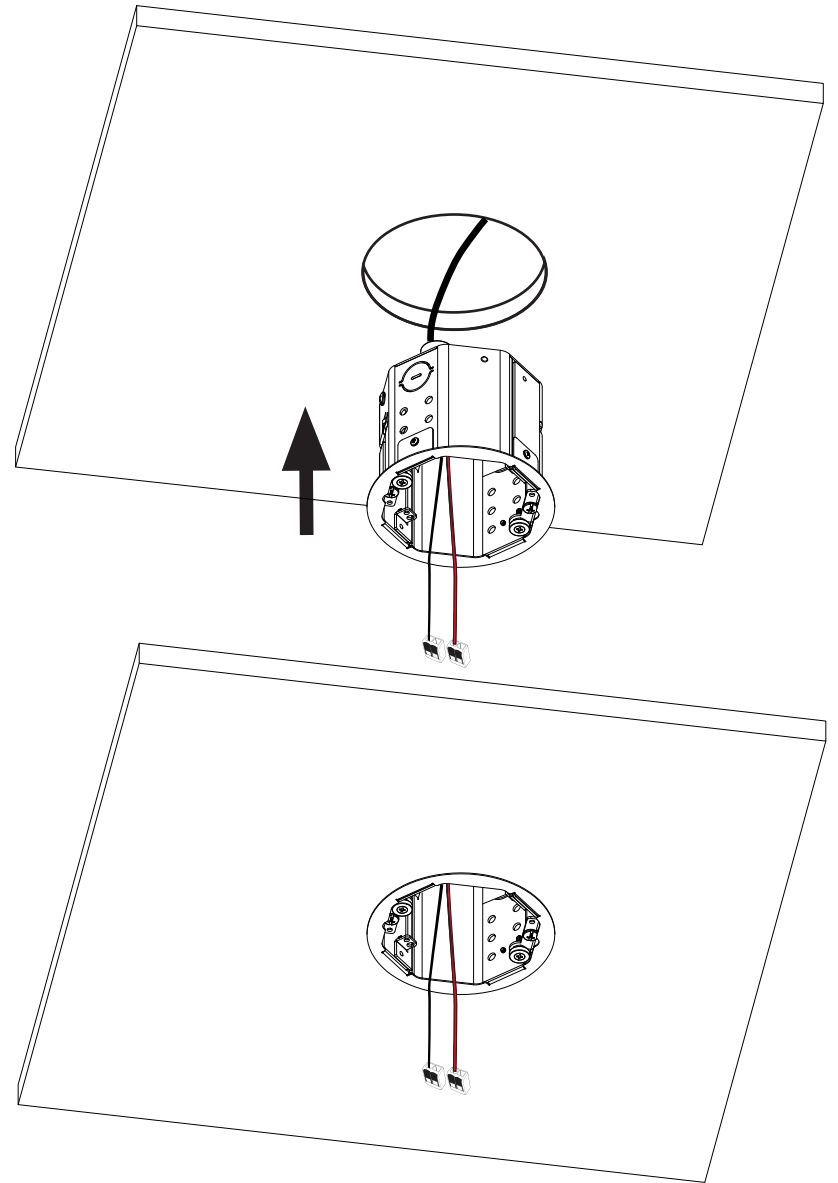
3



Ensure no wires are clipped or pinched during these steps.

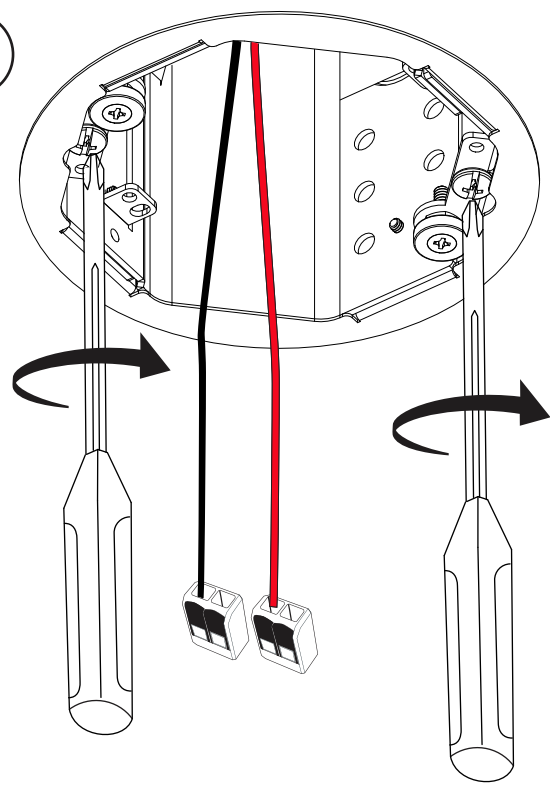
4

View from below

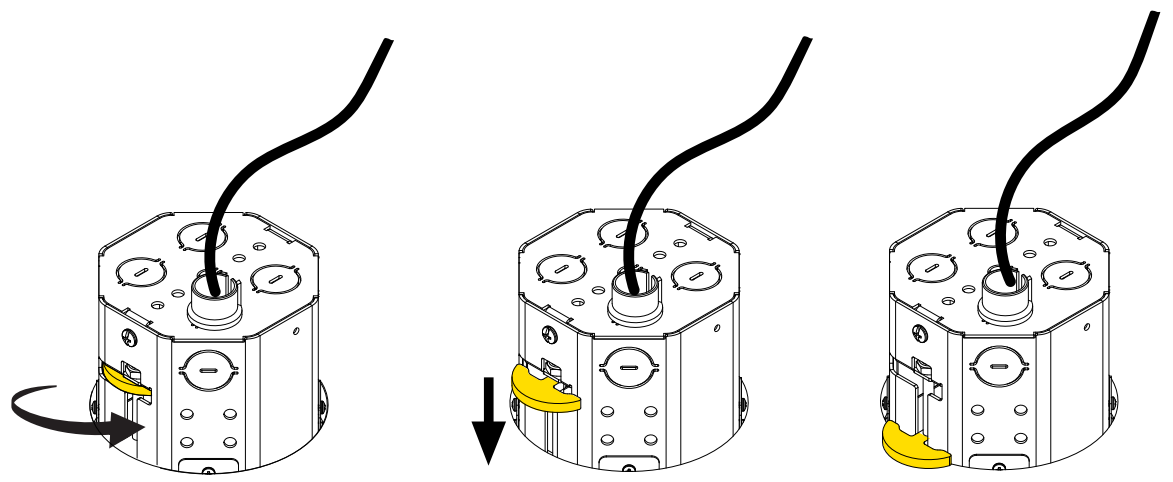




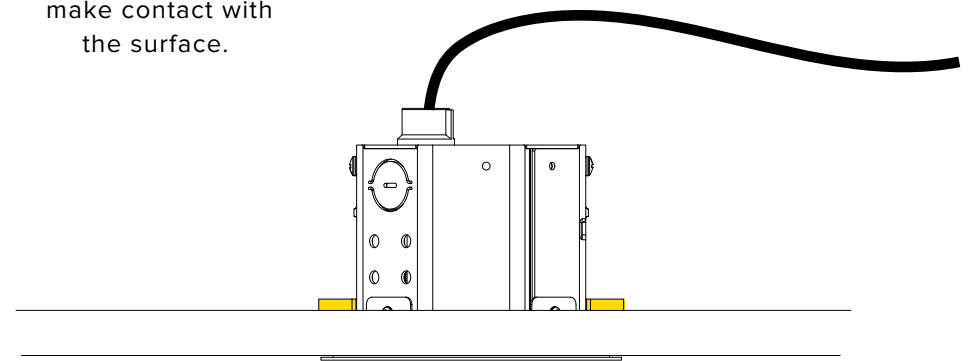
5



View from above



Stop when arms make contact with the surface.

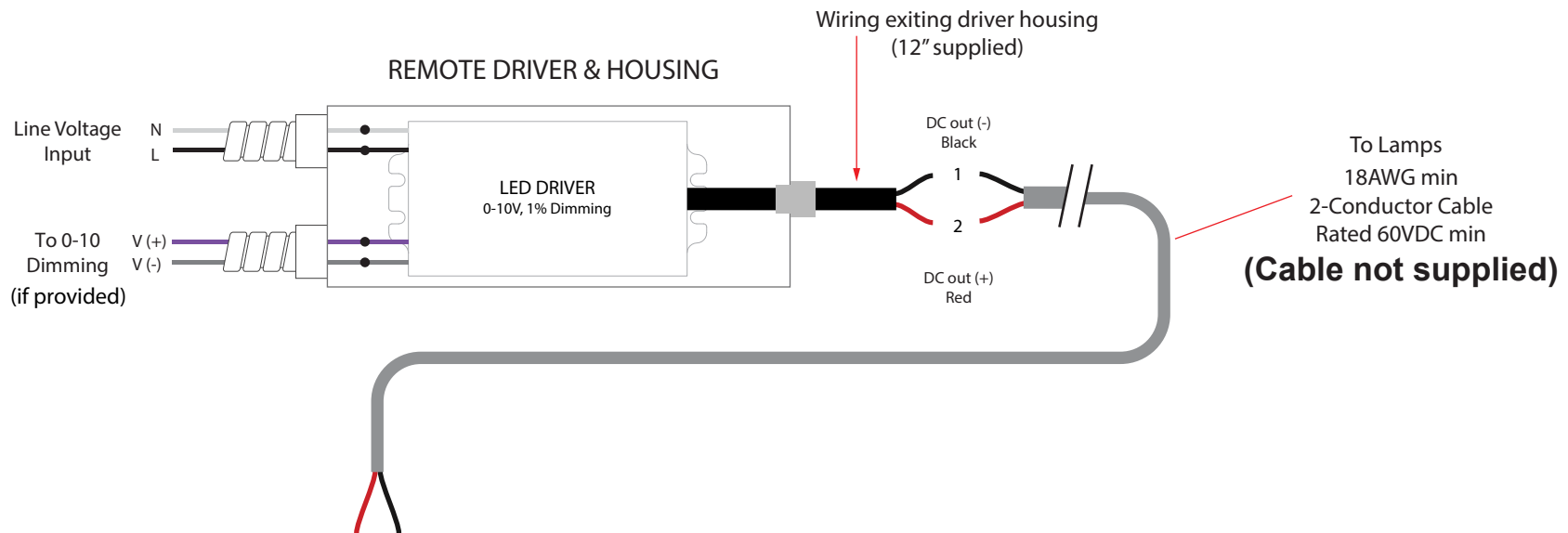
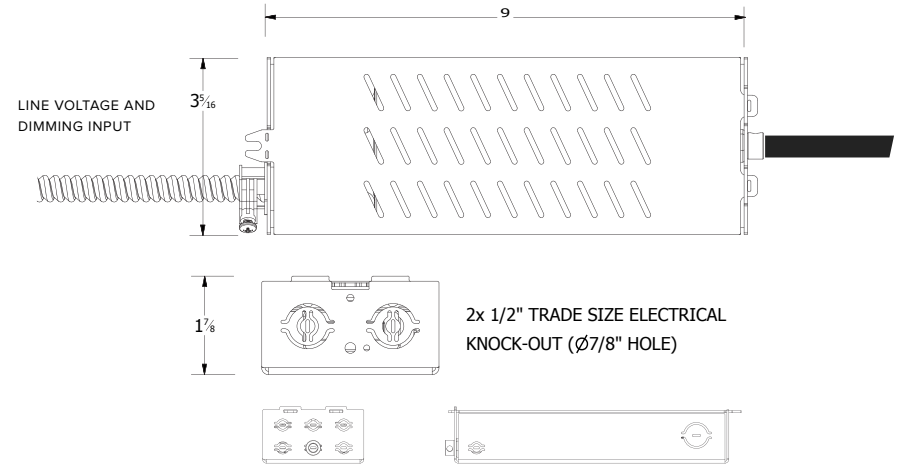


## REMOTE DRIVER HOUSING

- Must be accessible for maintenance in a well aerated location for heat dissipation

Remote Wire Gauge and Length Allowance Maximum distance between suspended structure internal wiring and remote driver housing

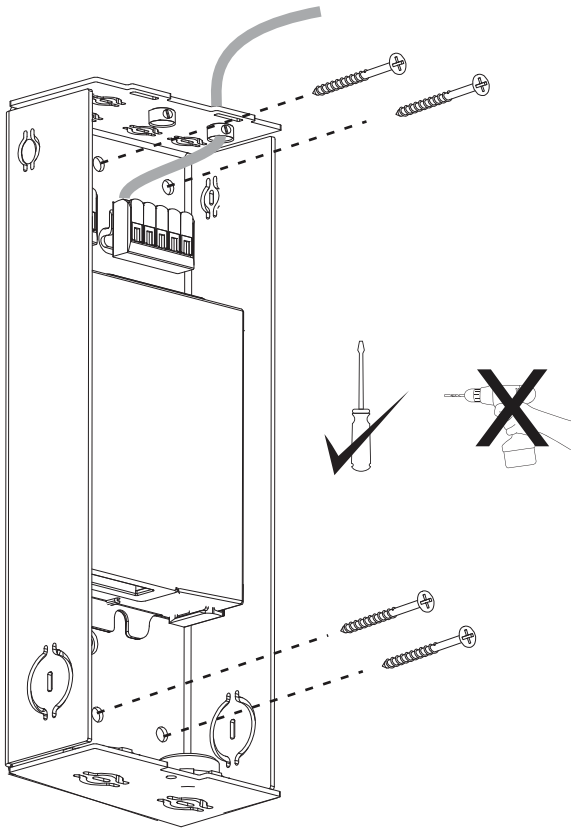
Wire gauge	Max Distance
18AWG	64.6 ft / 19.7m
16AWG	102.7 ft / 31.3m
14AWG	163.3 ft / 49.8m
12AWG	259.7 ft / 79.1m



6

Remove cover and mount driver housing to wall.

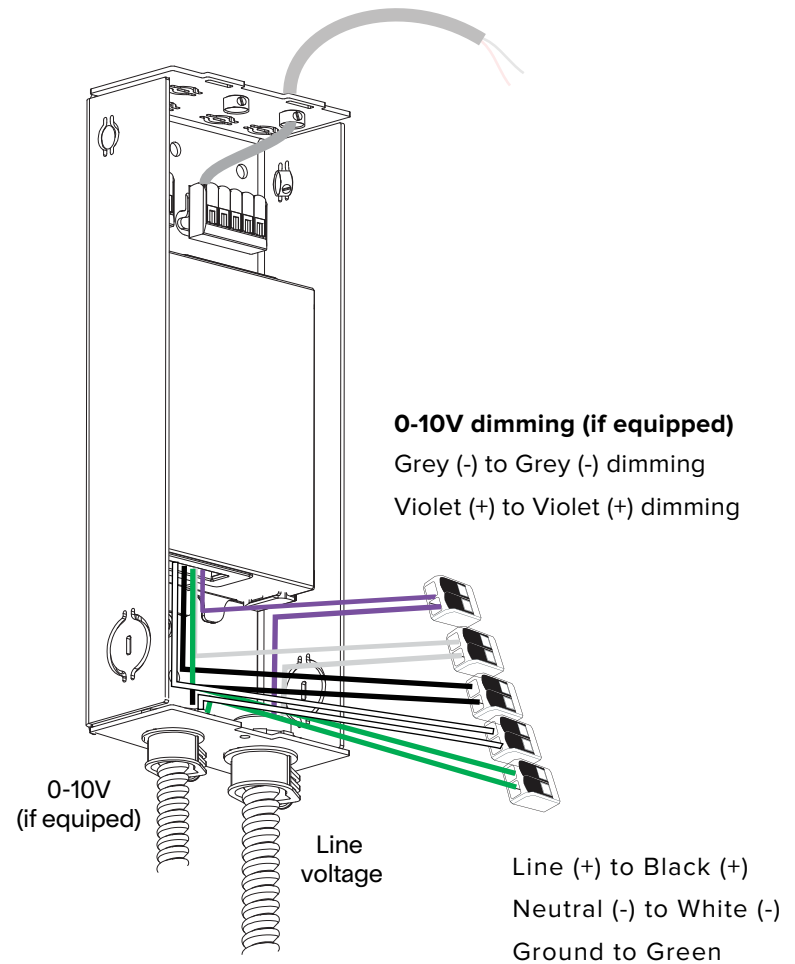
Screws not provided.



Use a screwdriver to knock out tab, then secure cables (not supplied)

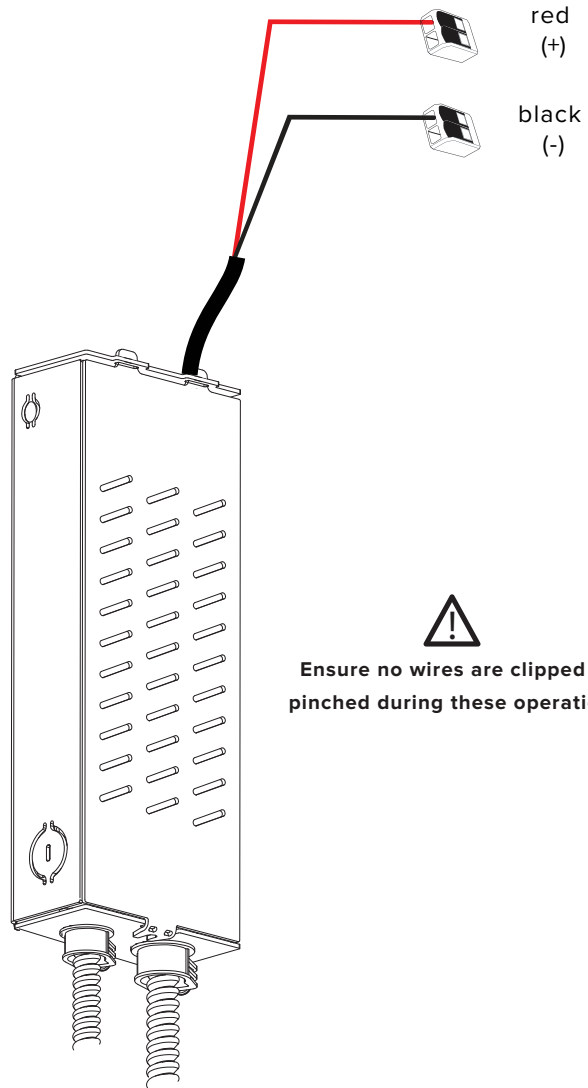
7

Make Line Voltage and dimming connections to driver wiring.



8

Close driver housing and make low voltage connections.



Ensure no wires are clipped or pinched during these operations.

9

The recessed canopy is now installed, return to luminaire installation steps and follow the instructions (page 3).