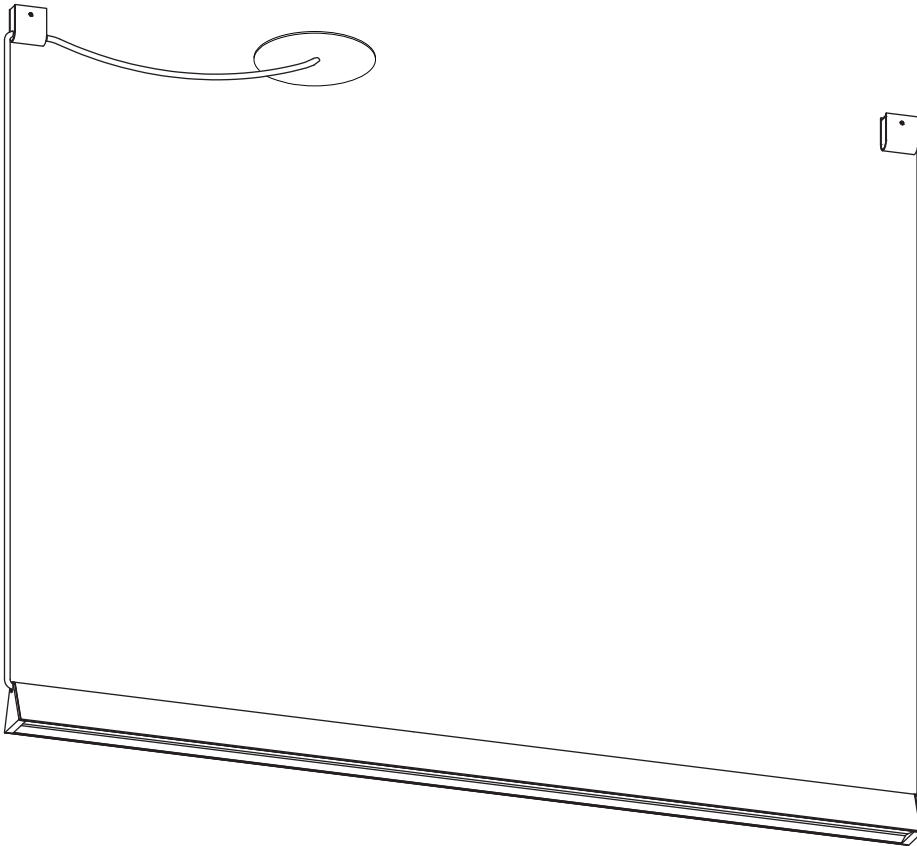

MILE 04 A,B,C 220-240V

**Recessed canopy
Plenum (non insulated) or remote installation**



- Please read entire manual before beginning installation
- To be installed by an electrician
- Use appropriate screws and anchors where necessary
- Wear enclosed gloves when handling lamp
- Handle materials with care. Please consult lamp maintenance sheet on our web site

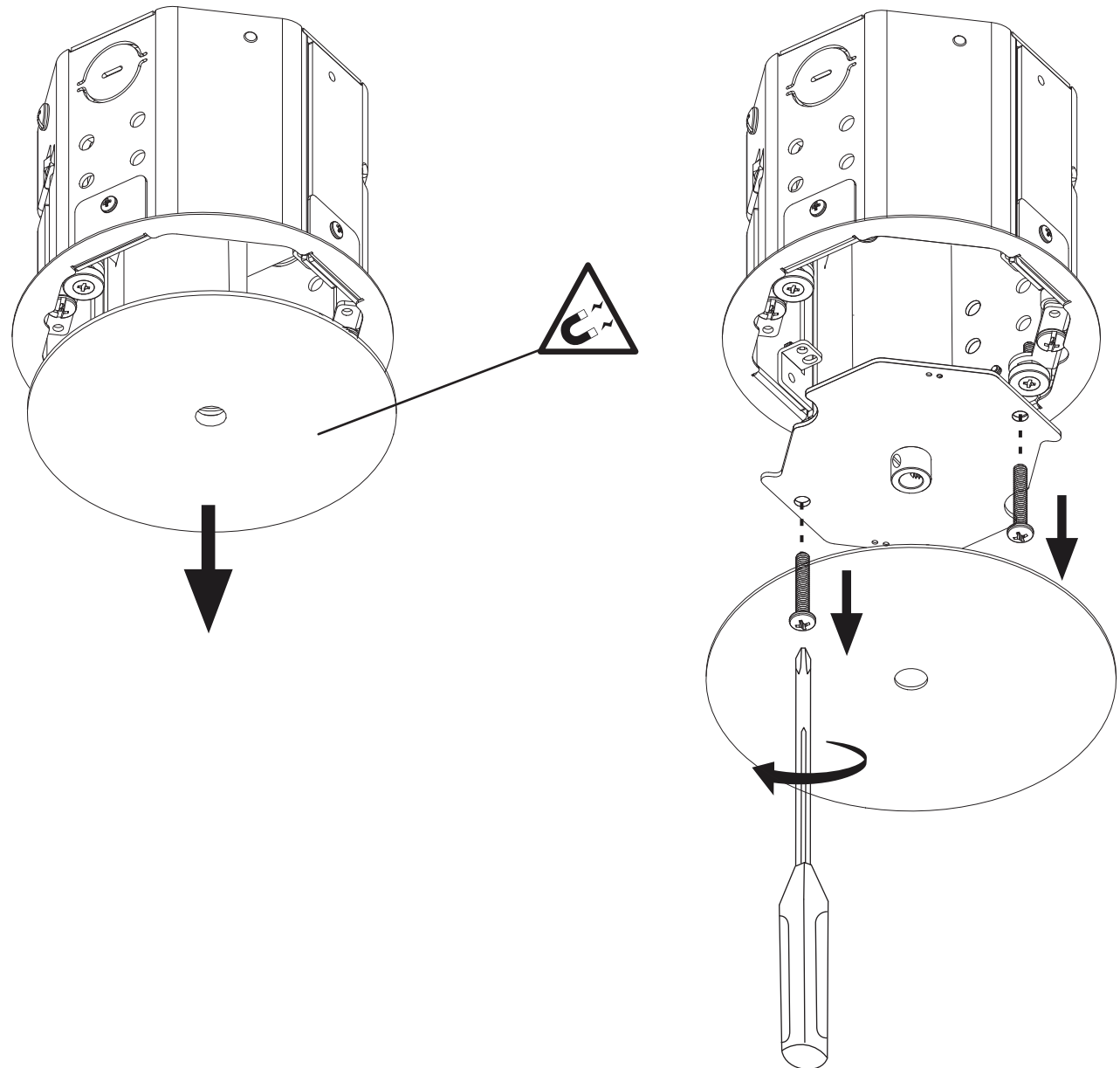


**Never turn on power supply
until installation is completed**

1

Remove Octobox cover plate and strain relief plate. It is held in place by two screws.

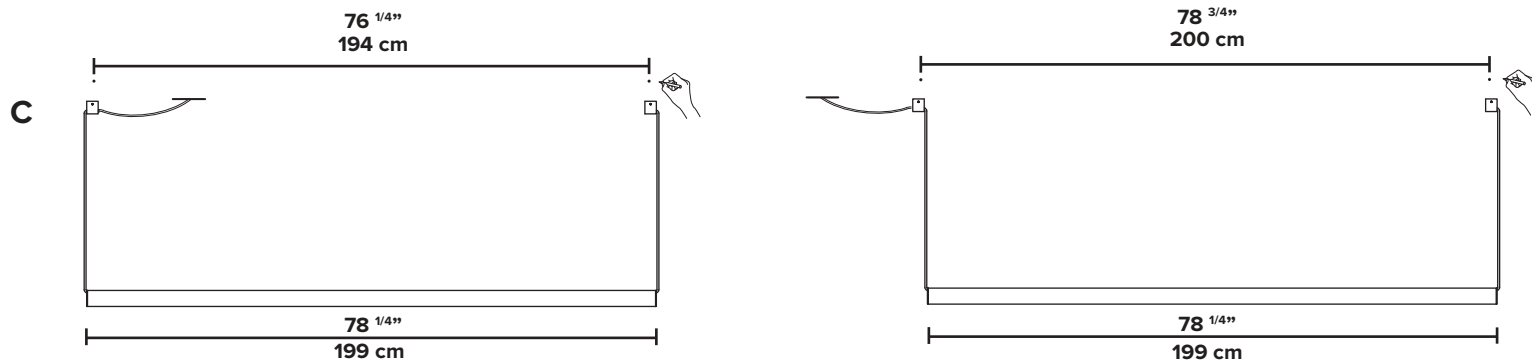
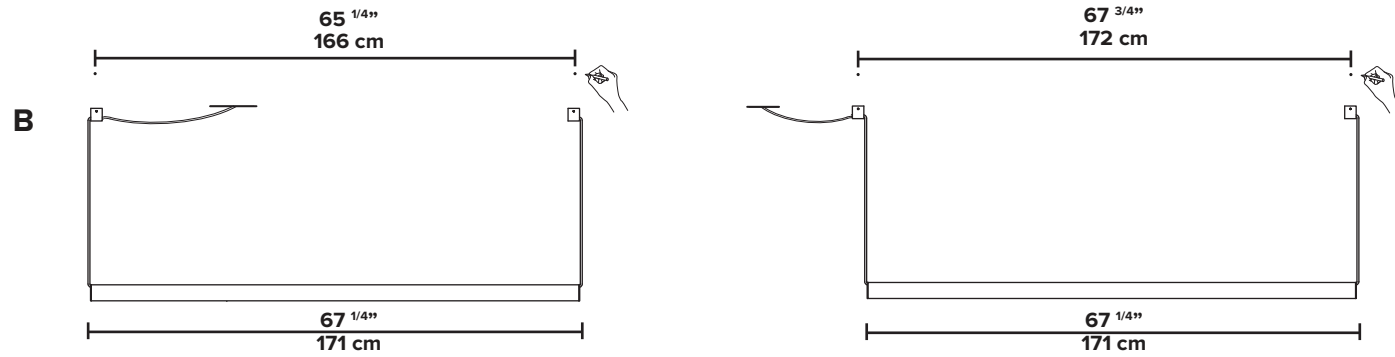
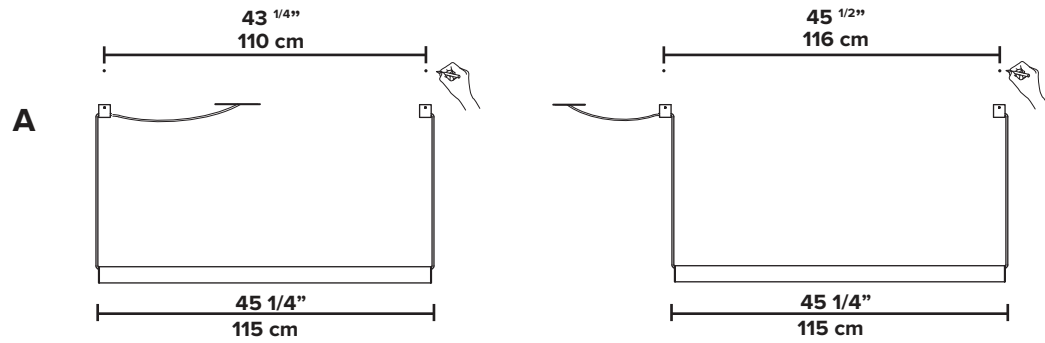
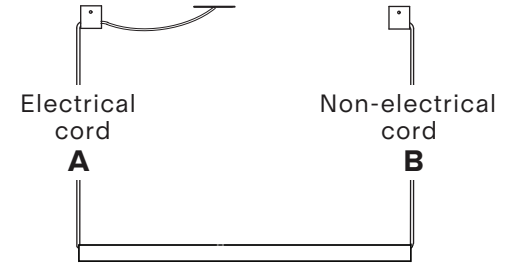
Refer to:
Annex (independent driver) - page 8



2

Mark anchor locations

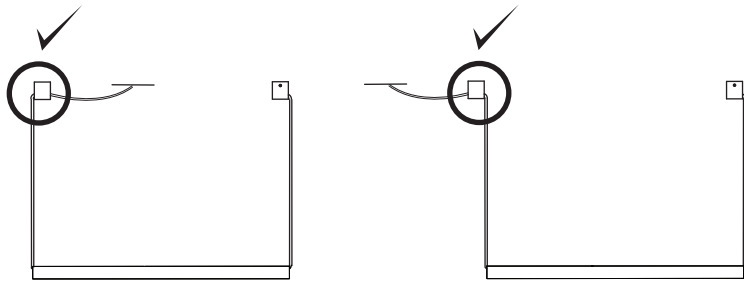
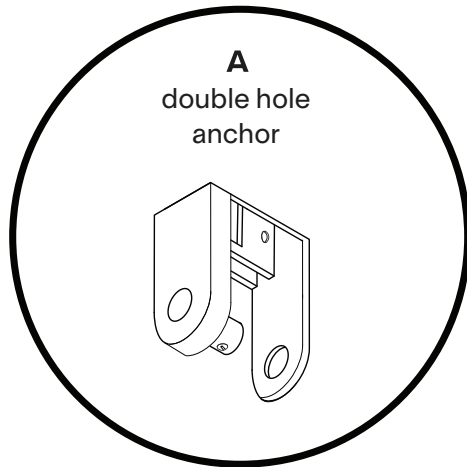
Be sure all ceiling holes are aligned.
We recommend you mount luminaire with
uplight aligned with junction box.



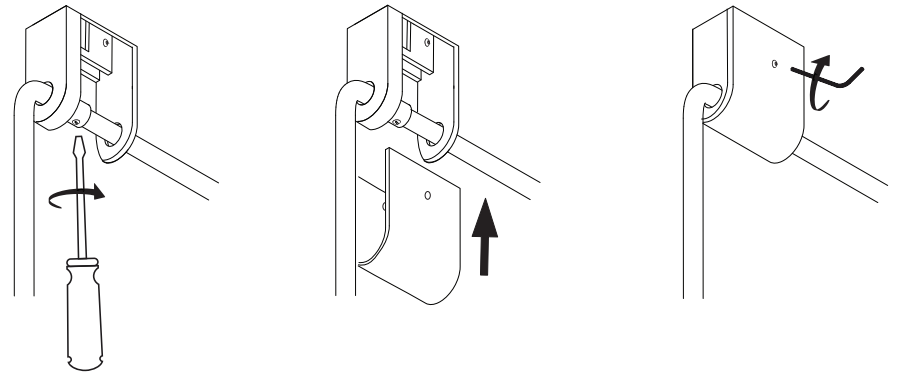
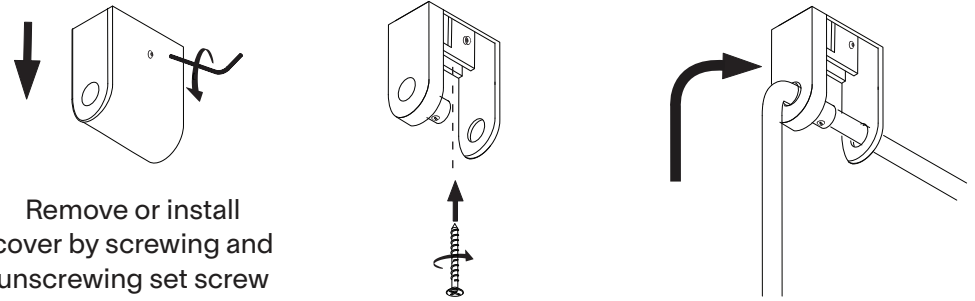
3

Mount double hole anchor
with electrical cord

Pull wires to straighten them
before mounting them.



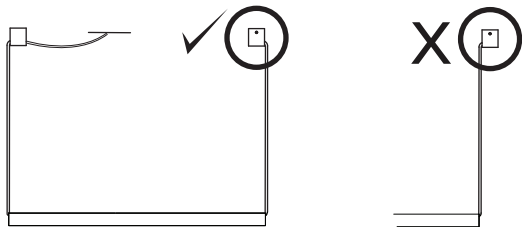
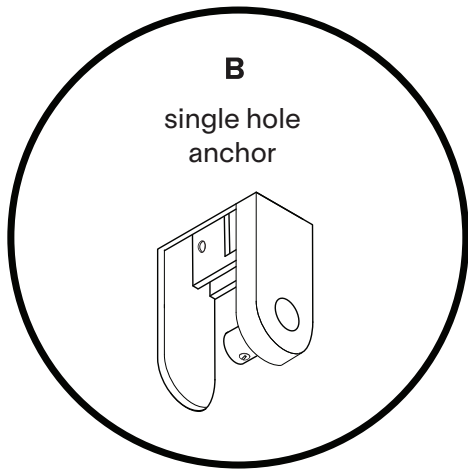
Make sure to use appropriate
anchors for ceiling material



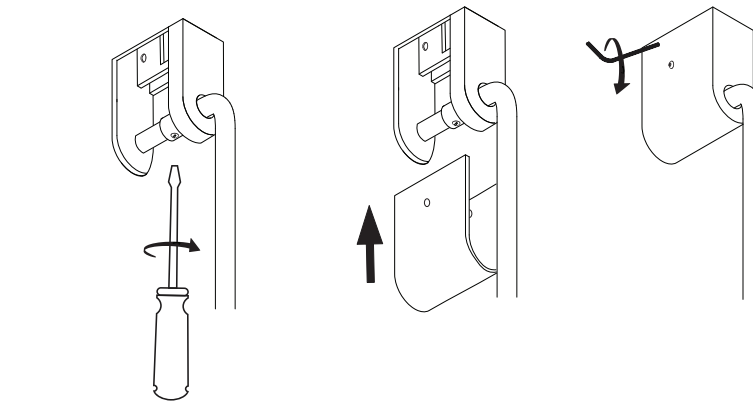
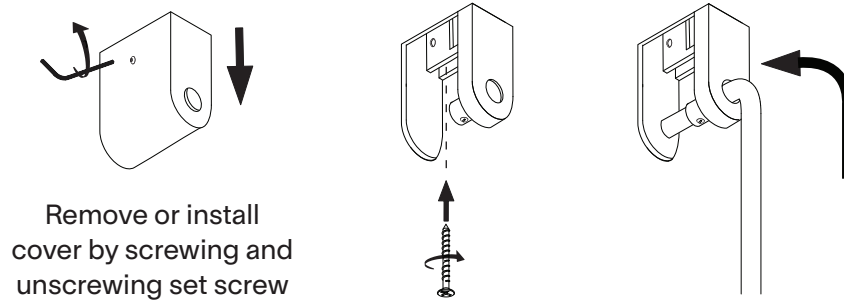
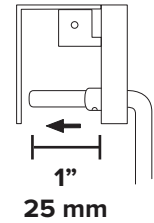
4

Mount single hole anchor with non-electrical cord

Pull wires to straighten them before mounting them.

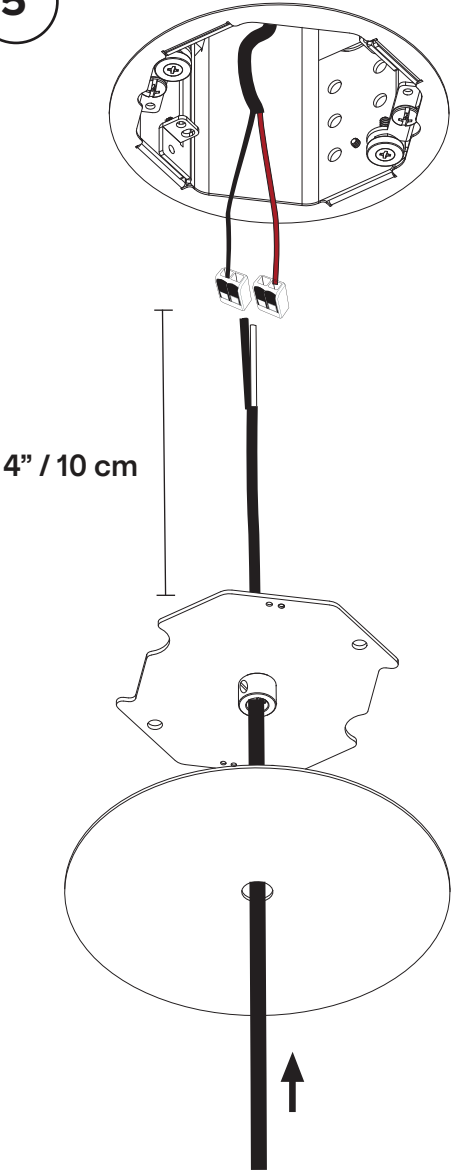


Make sure to use appropriate anchors for ceiling material

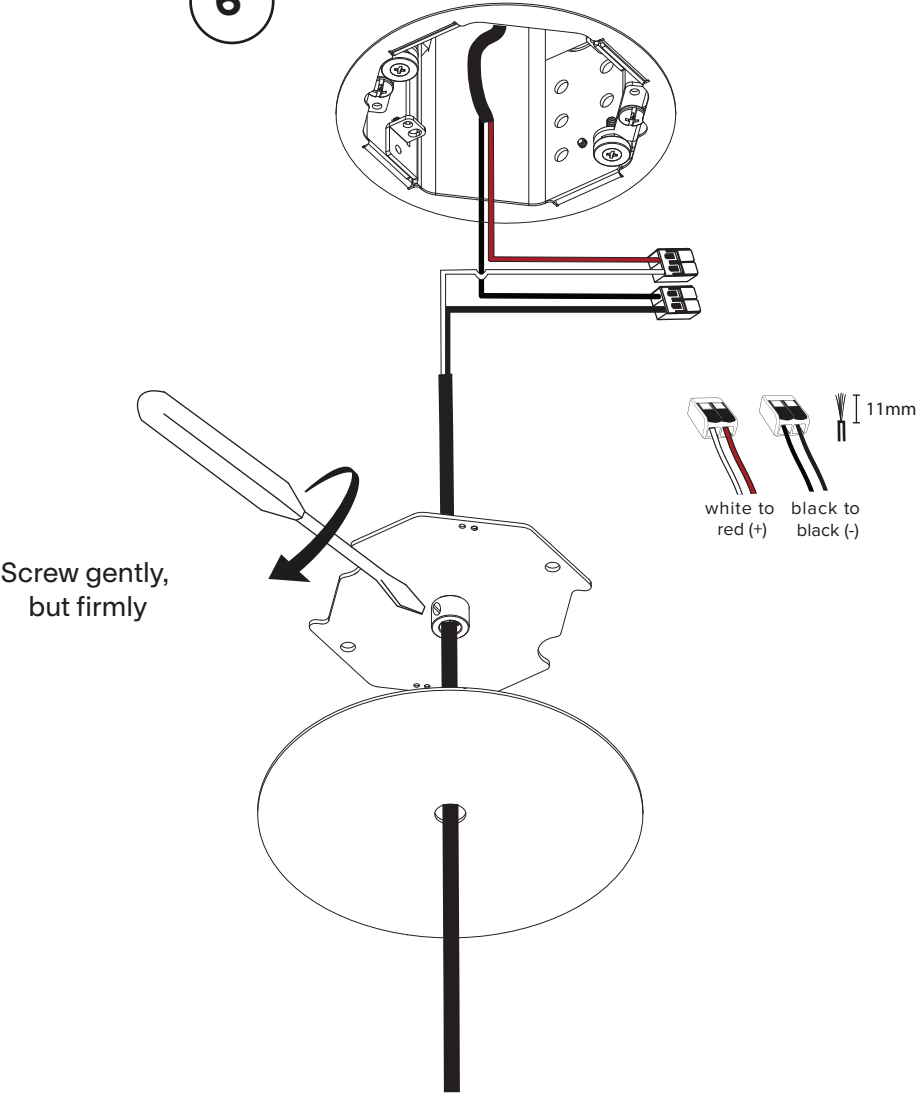


Steps to be completed AFTER steps
in recessed canopy annex

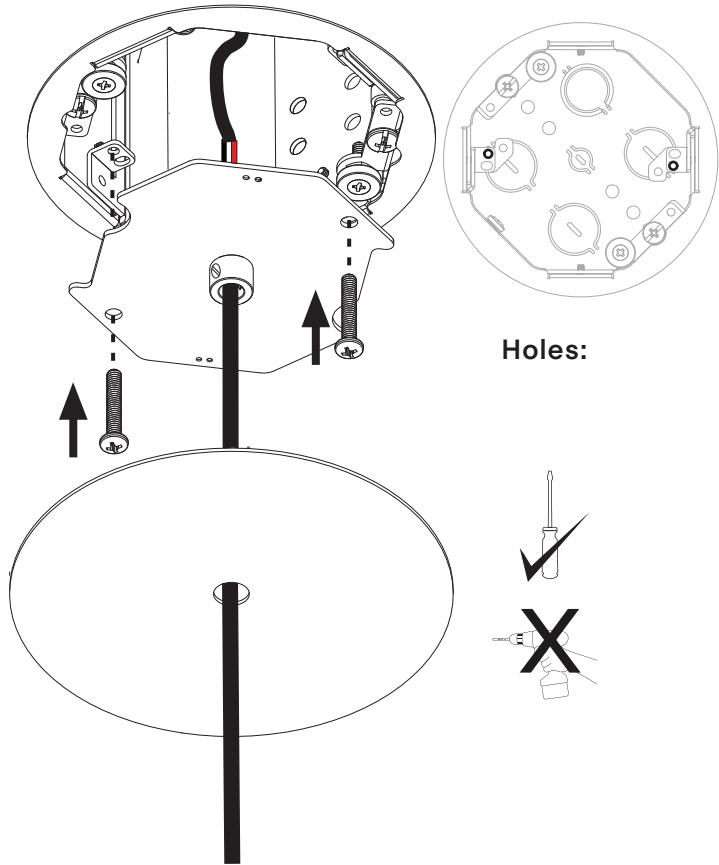
5



6

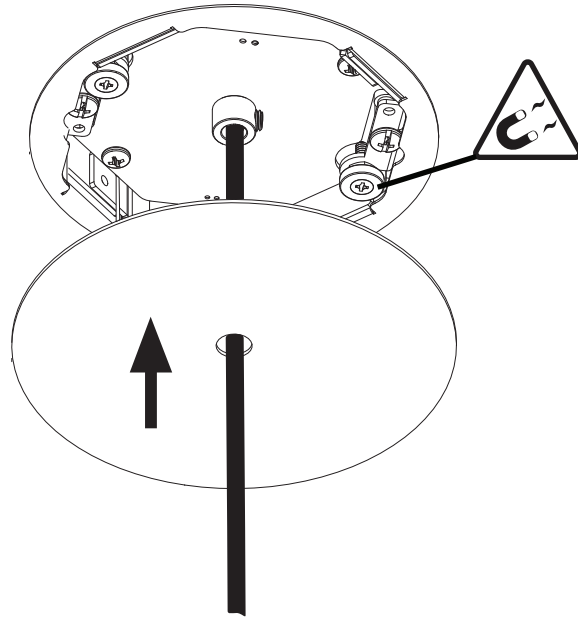


7



Holes:

8



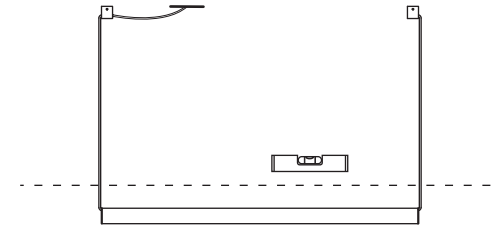
Make sure cover plate is centered on the junction box

10

Levelling the luminaire

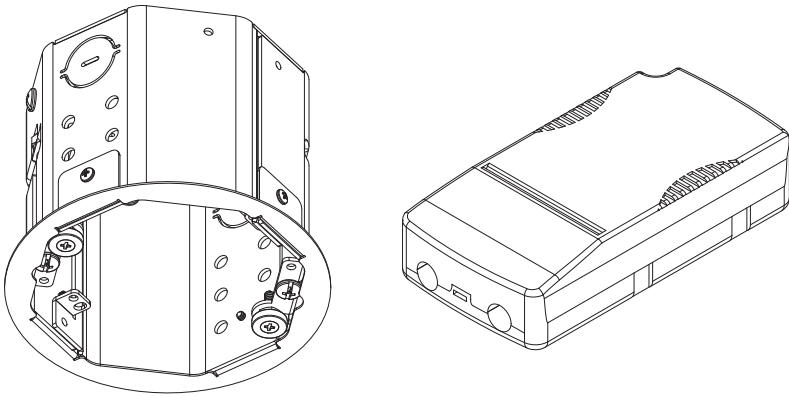


Before adjusting wire length or interior weight, carefully attempt to balance the luminaire by hand. The wire's flex can allow micro adjustments of their own.



RECESSED CANOPY INSTALLATION

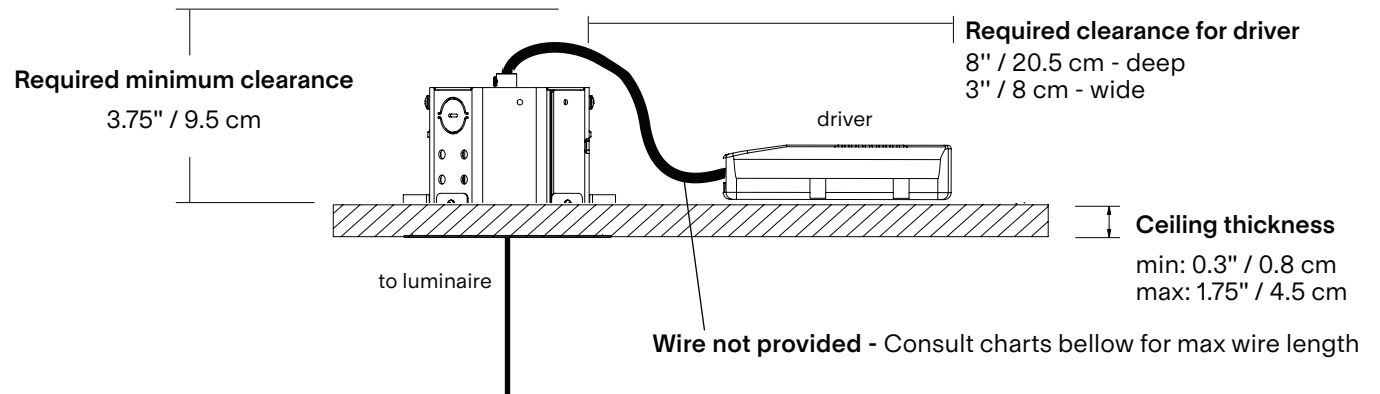
Octobox with independent driver



- Please read entire manual before beginning installation
- To be installed by an electrician
- Use appropriate screws where necessary
- For non-insulated hollow ceiling
- Wires for plenum not provided

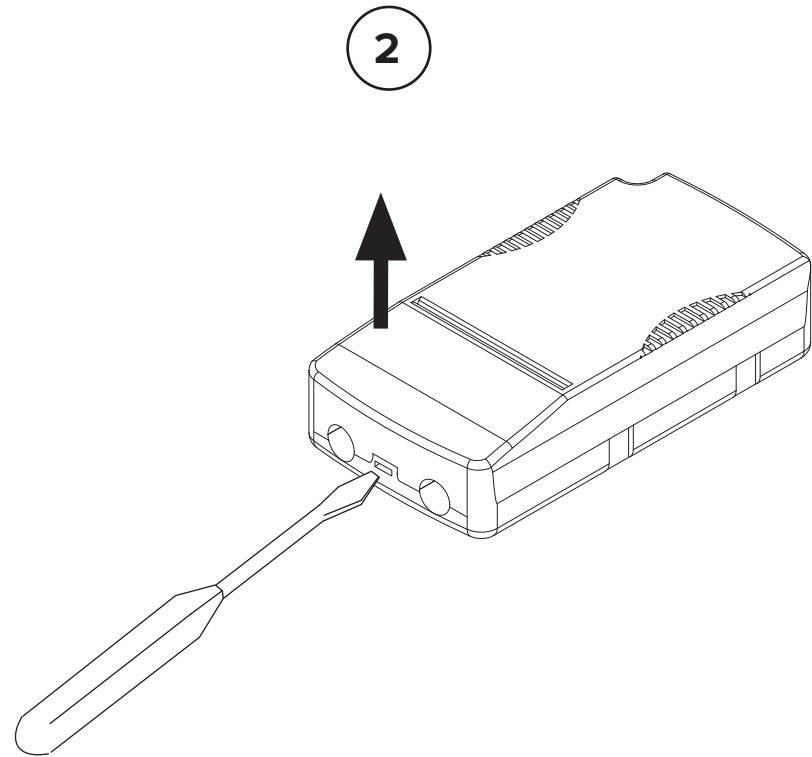
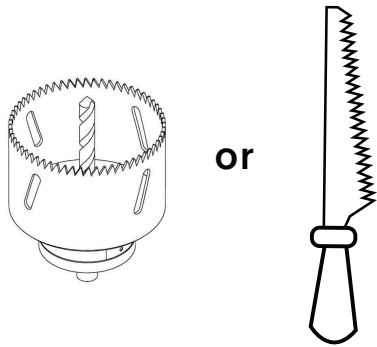
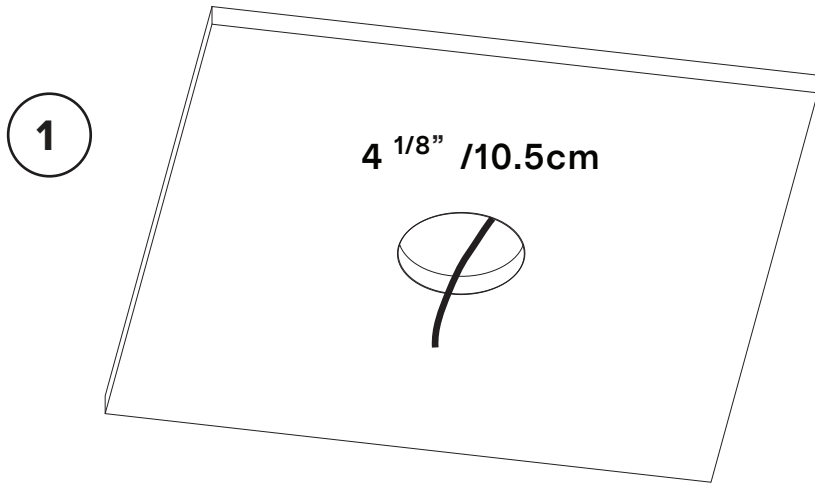


For remote driver installation
Consult chart below for max wire length.



Distance between lamp and driver.

Wire gauge	Max Distance
18AWG	64.6 ft / 19.7m
16AWG	102.7 ft / 31.3m
14AWG	163.3 ft / 49.8m
12AWG	259.7 ft / 79.1m

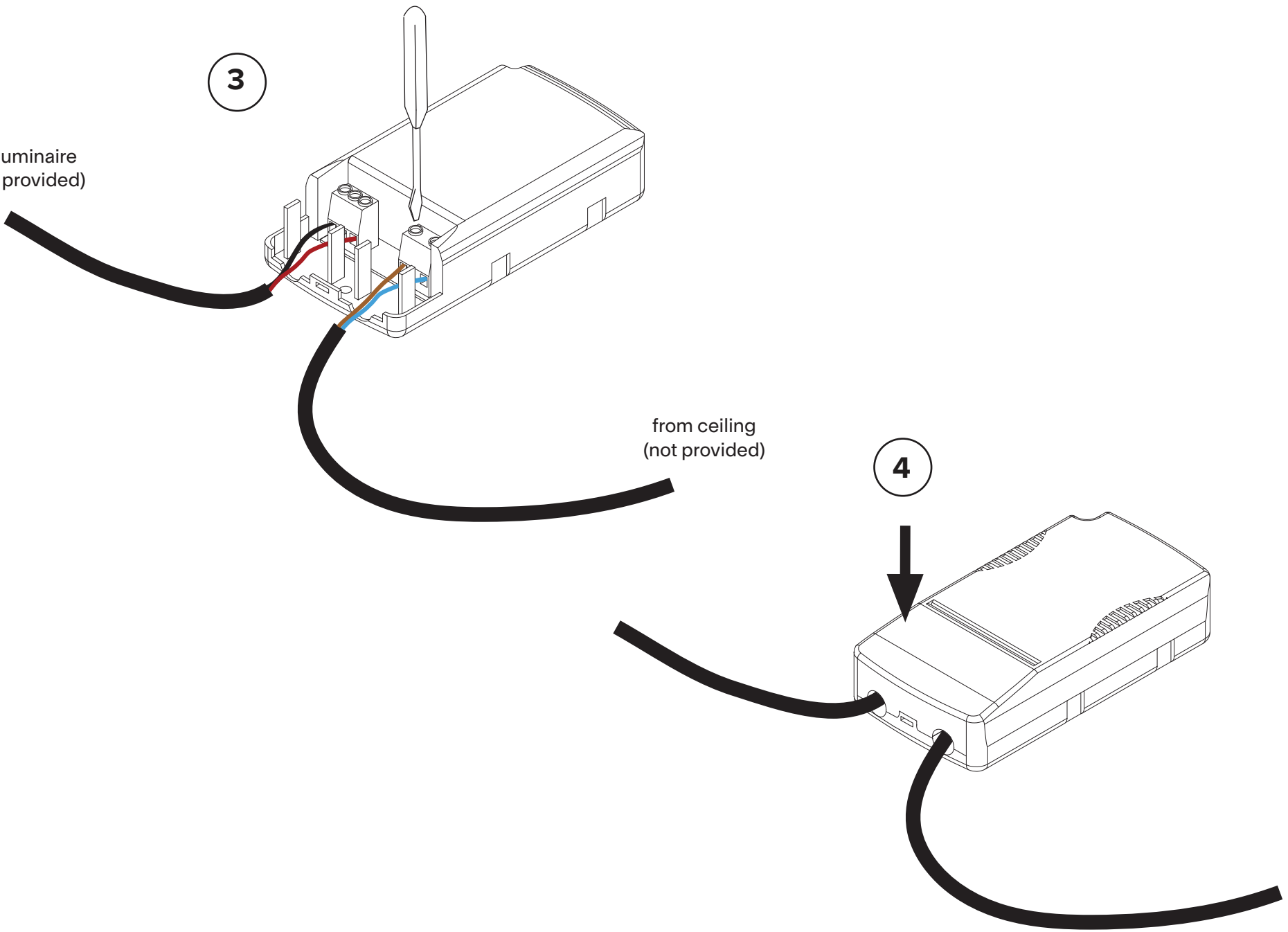


3

To luminaire
(not provided)

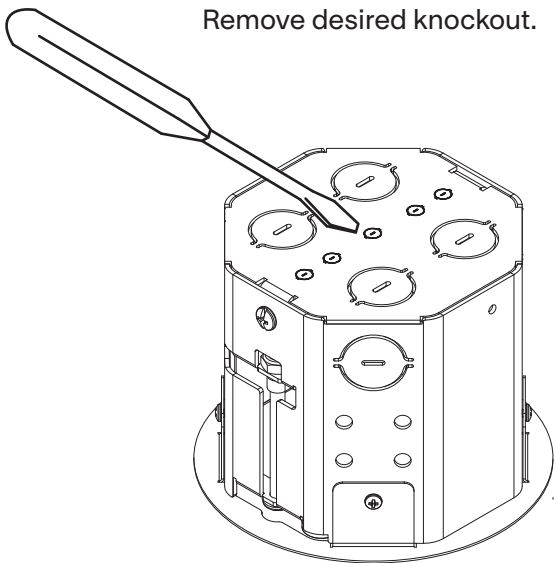
from ceiling
(not provided)

4

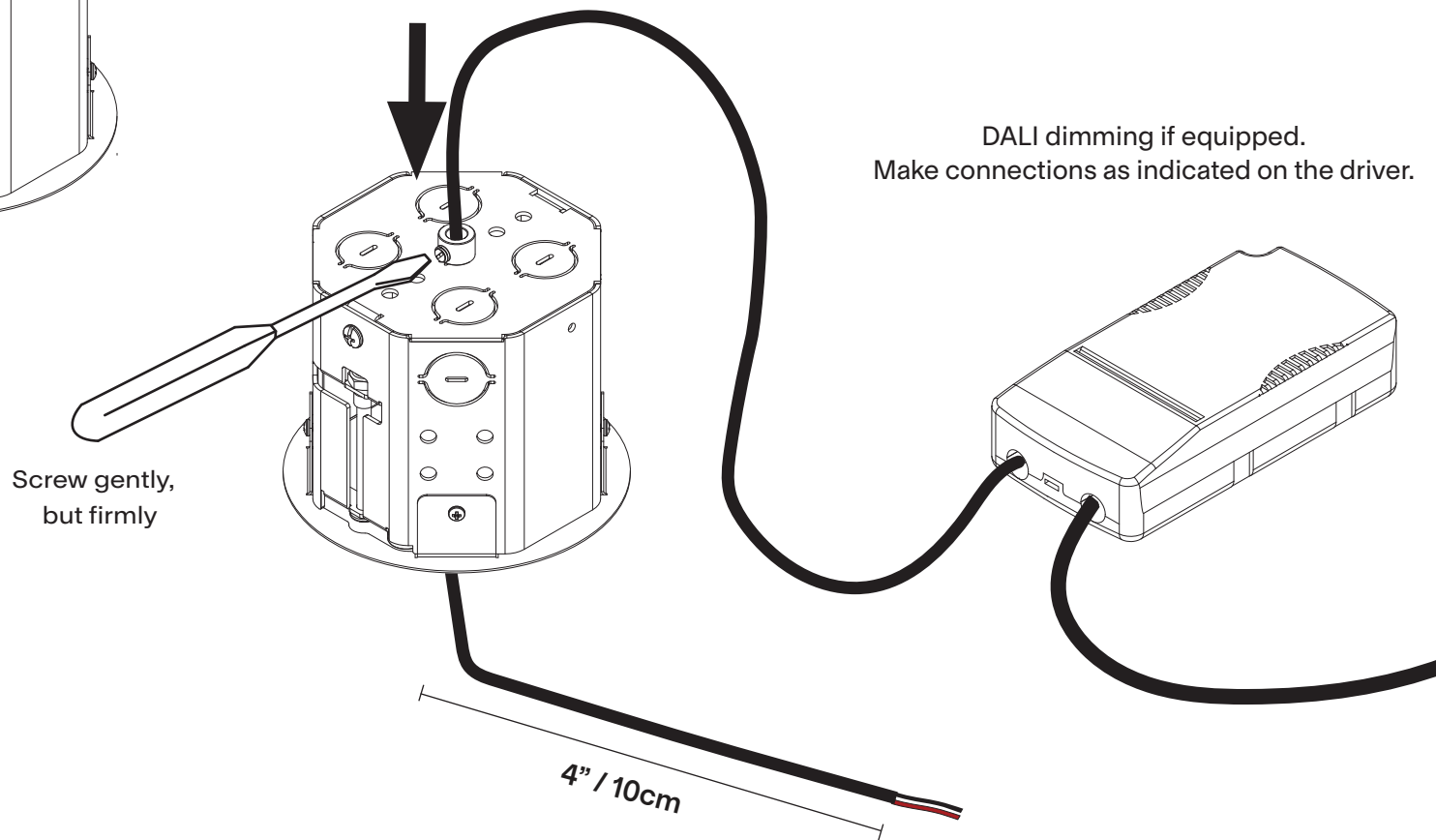


5

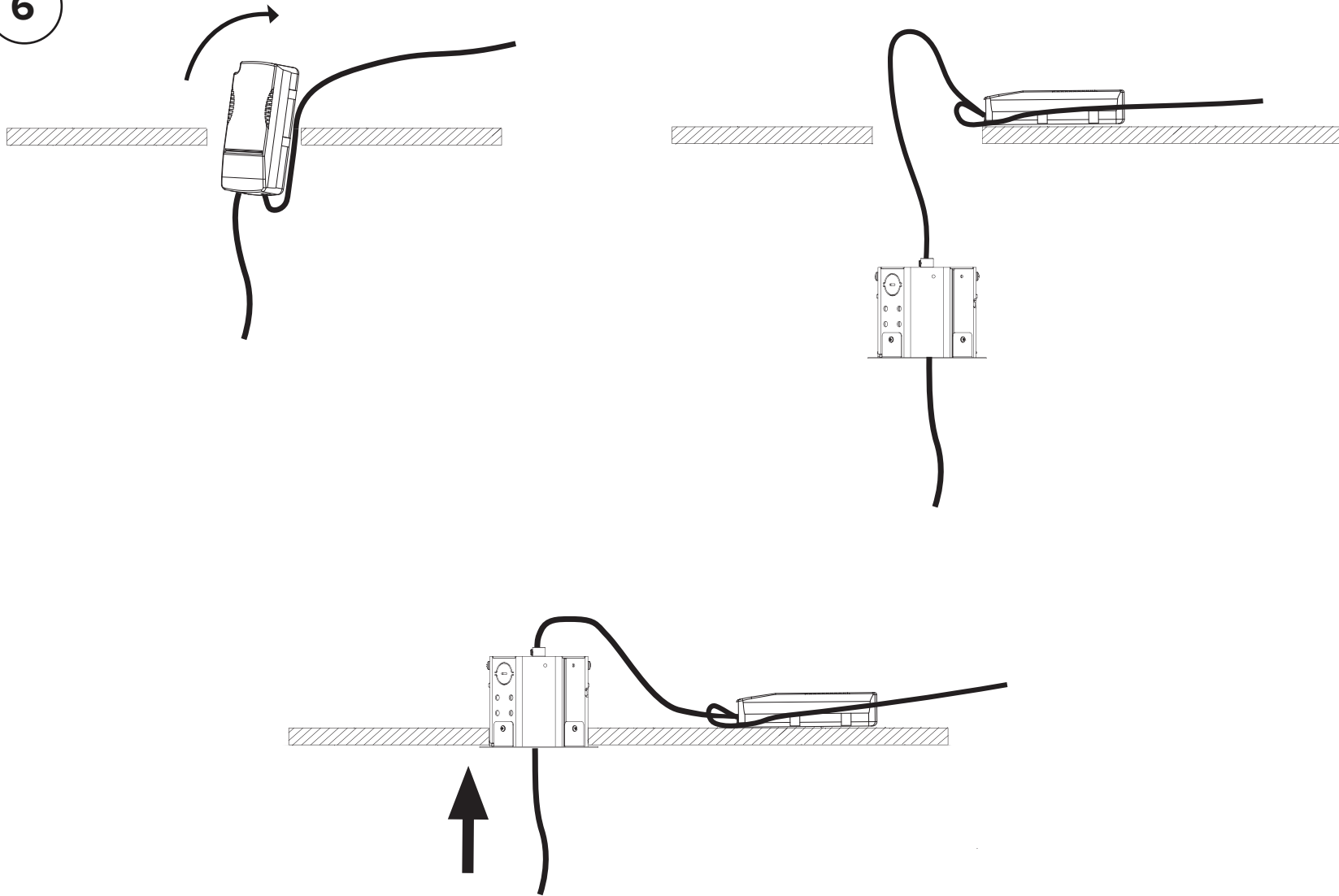
Remove desired knockout.



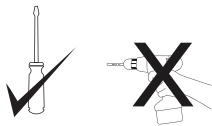
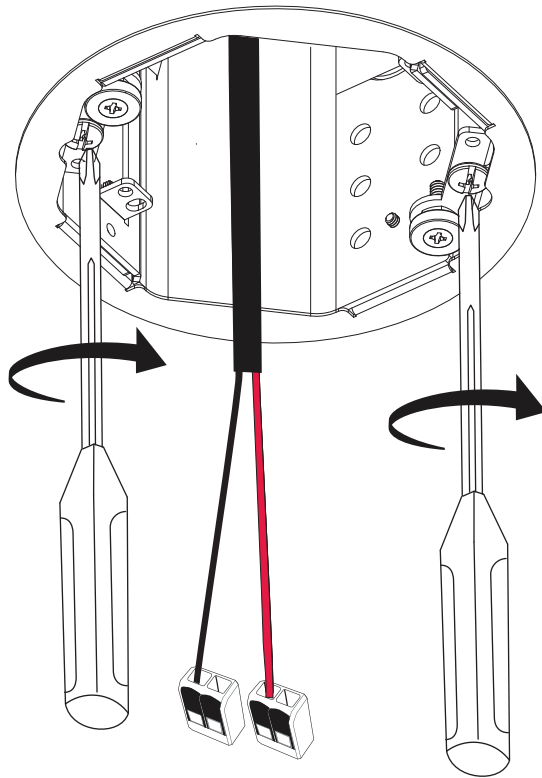
Use appropriate strain relief (not provided) depending on your wire gauge.



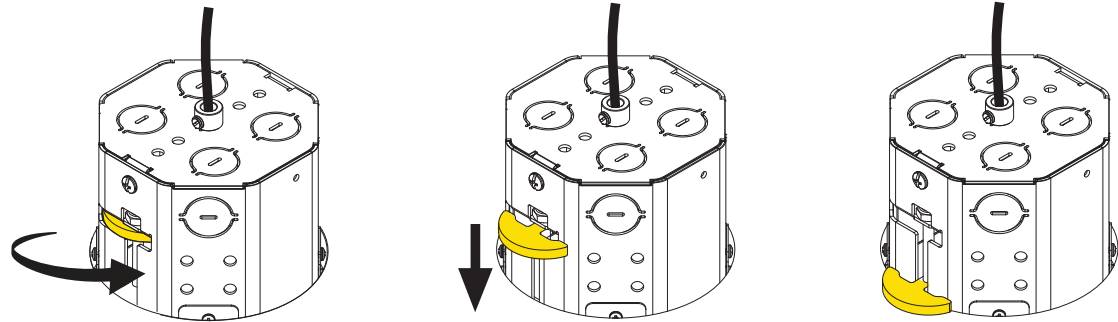
6



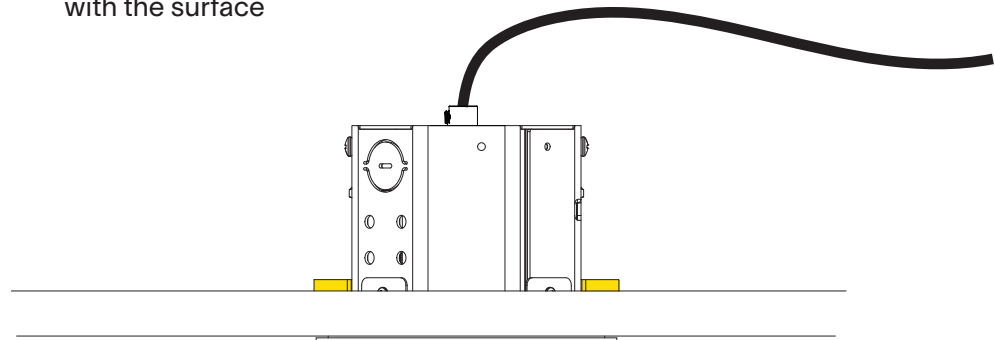
7



View from above



Stop when arms make contact with the surface



8

The recessed canopy is now installed, return to luminaire installation steps and follow the instructions (page 3).