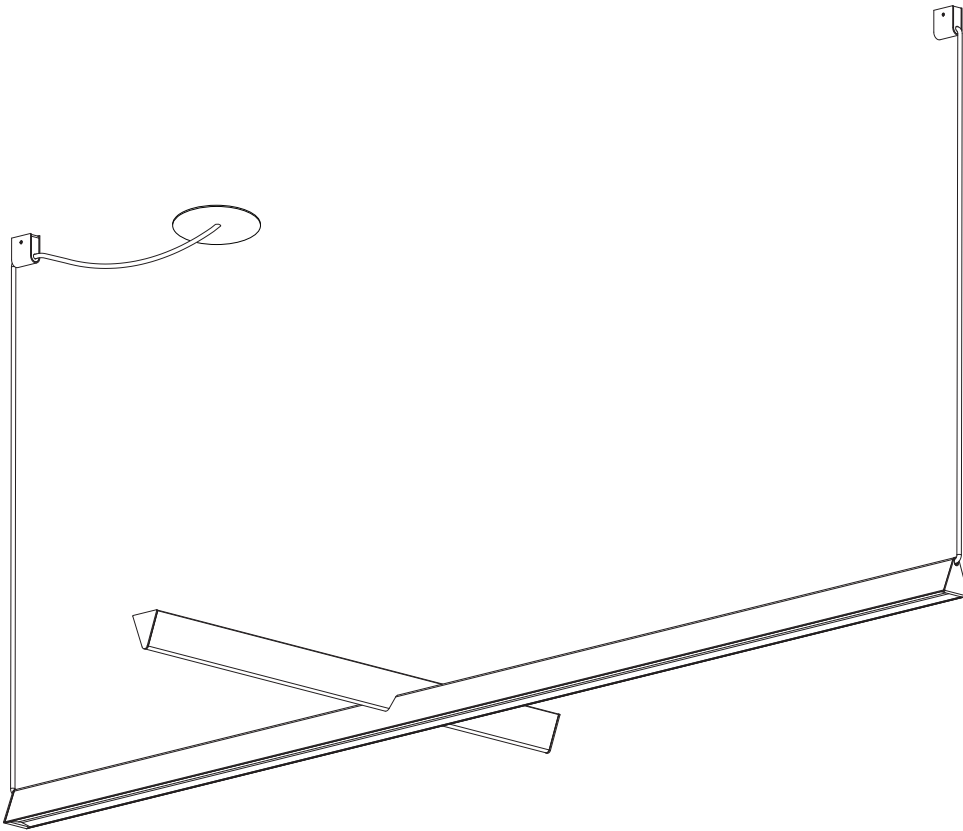


MILE ATELIER 220-240V

**Recessed canopy
Plenum (non insulated) or remote installation**



- Please read entire manual before beginning installation
- To be installed by an electrician
- Use appropriate screws and anchors where necessary
- Wear enclosed gloves when handling lamp
- Handle materials with care. Please consult lamp maintenance sheet on our web site

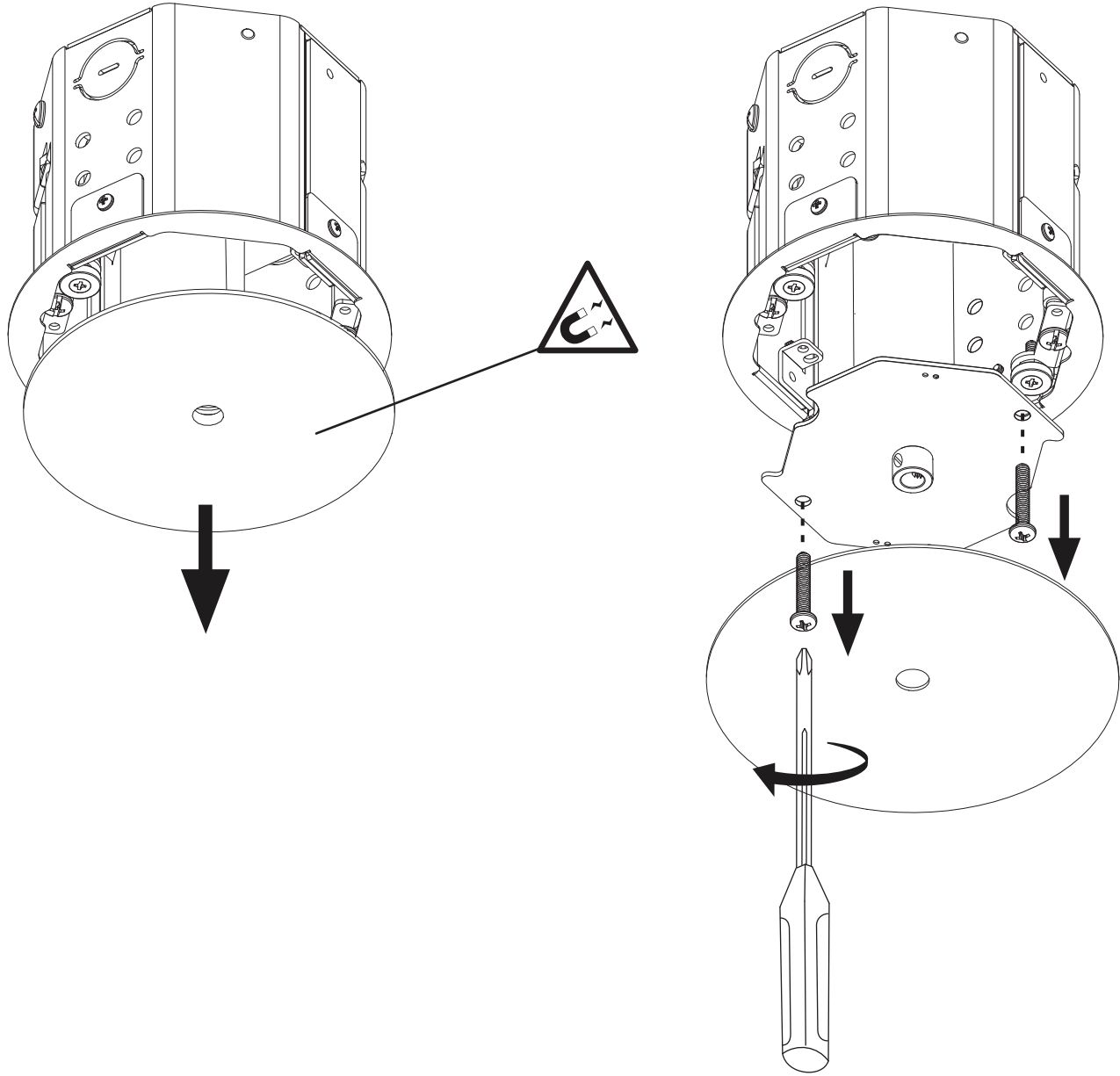


**Never turn on power supply
until installation is completed**

1

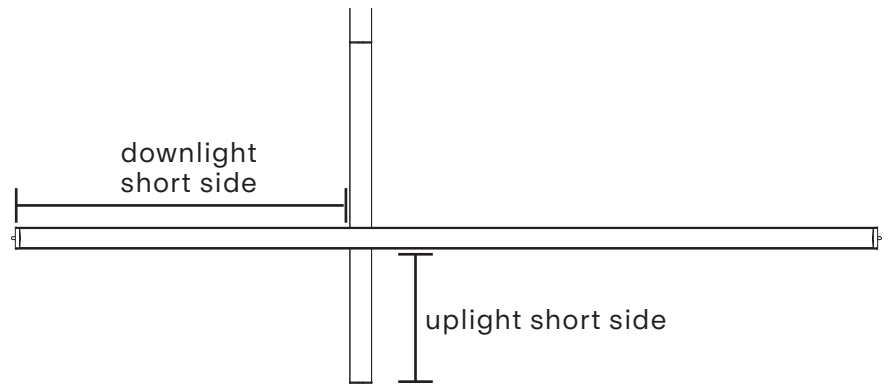
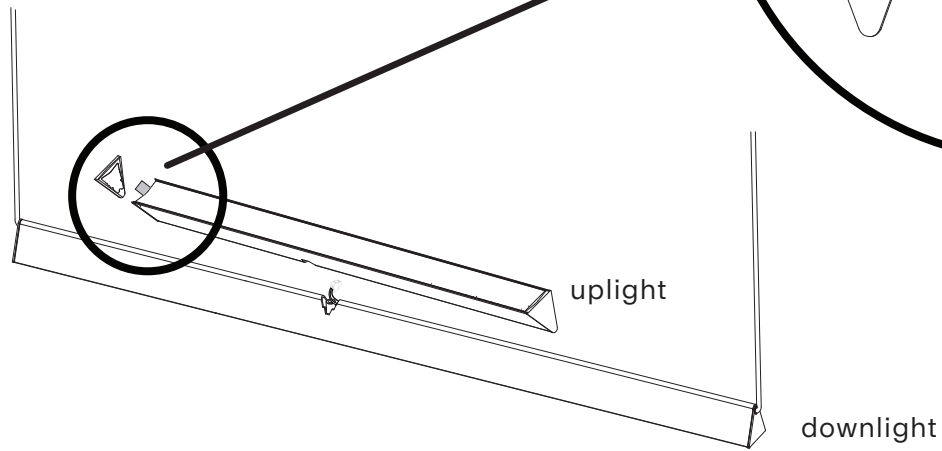
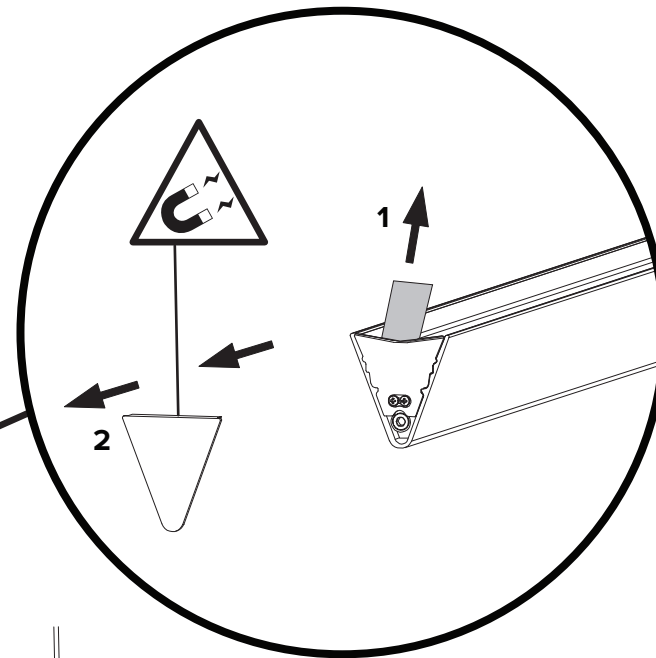
Remove Octobox cover plate and strain relief plate. It is held in place by two screws.

Refer to:
Annex (independent driver) - page 14

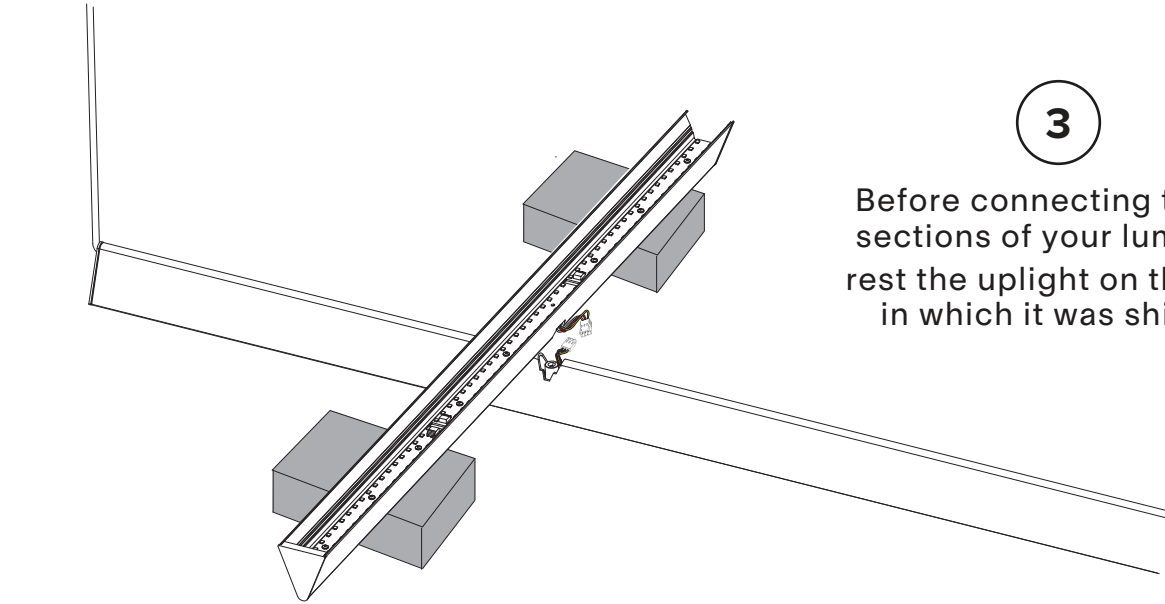


2

Remove endcap on short side of upright. It is held in place with a magnet. Pull tape up to remove lens then remove tape.

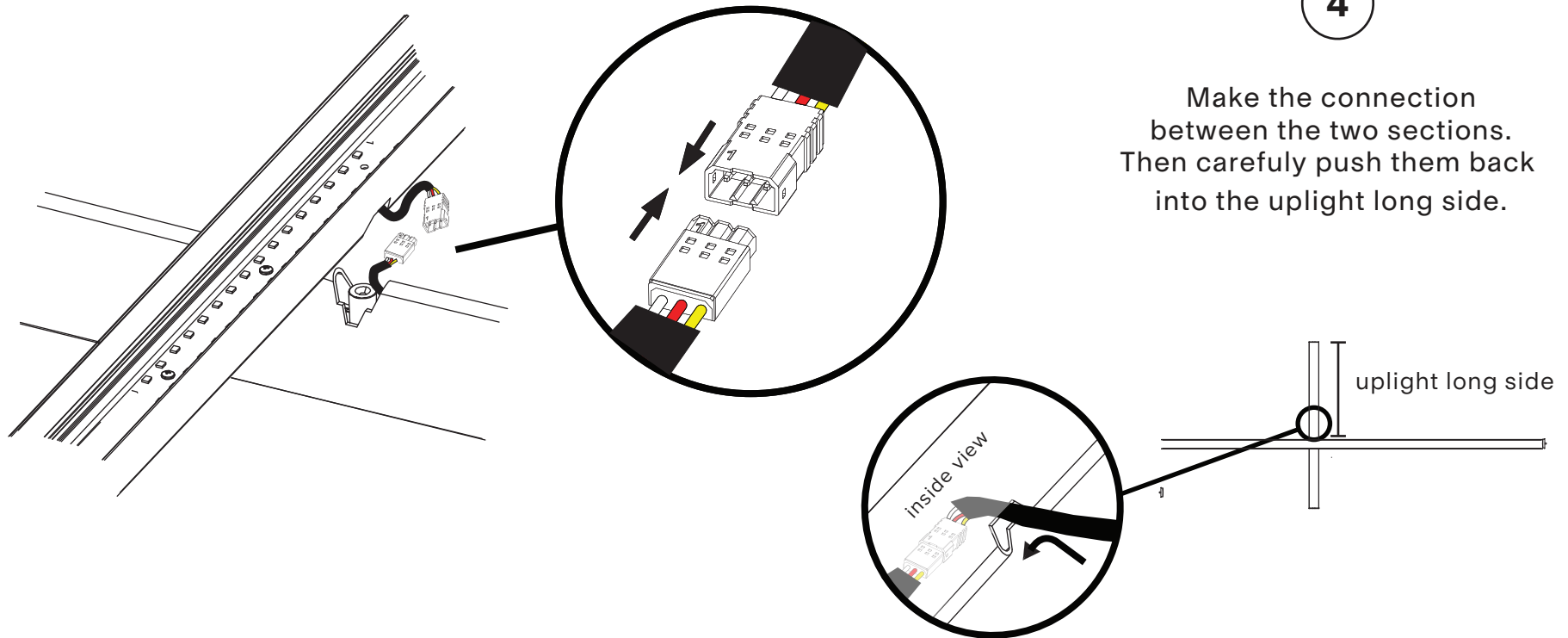


Be careful when removing endcap that it does not stick to other surfaces which could result in scratches in the paint.



3

Before connecting the two sections of your luminaire, rest the upright on the foam in which it was shipped.

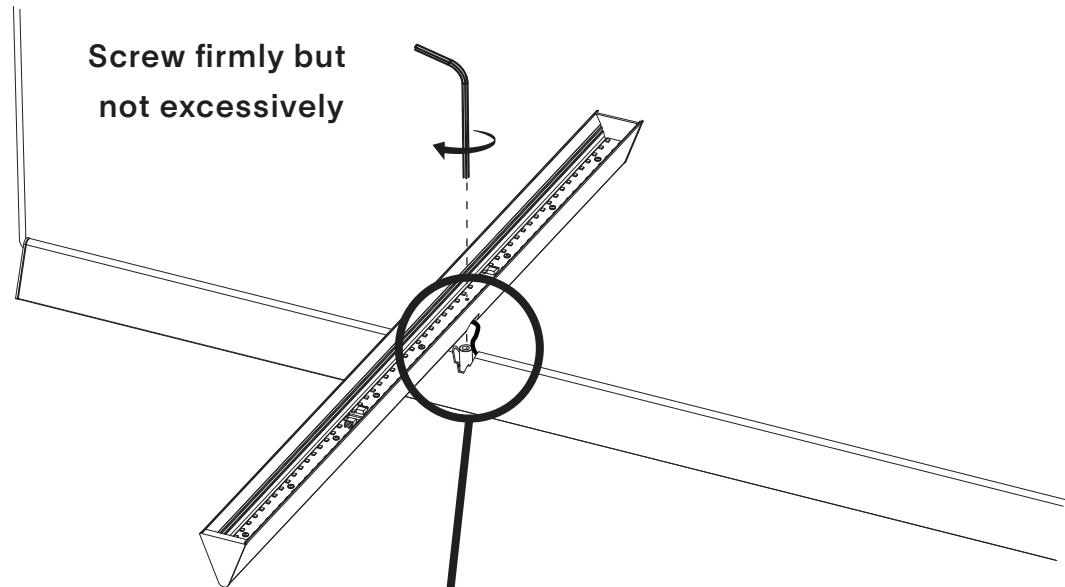


4

Make the connection between the two sections. Then carefully push them back into the upright long side.

5

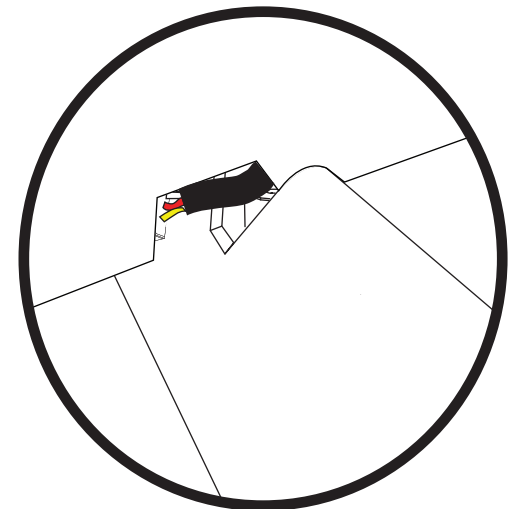
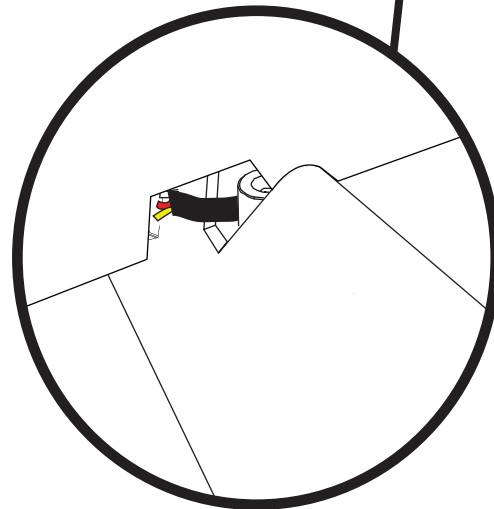
Reorientate upright into the slot of the downlight.
Screw it into place with provided allen key.



X

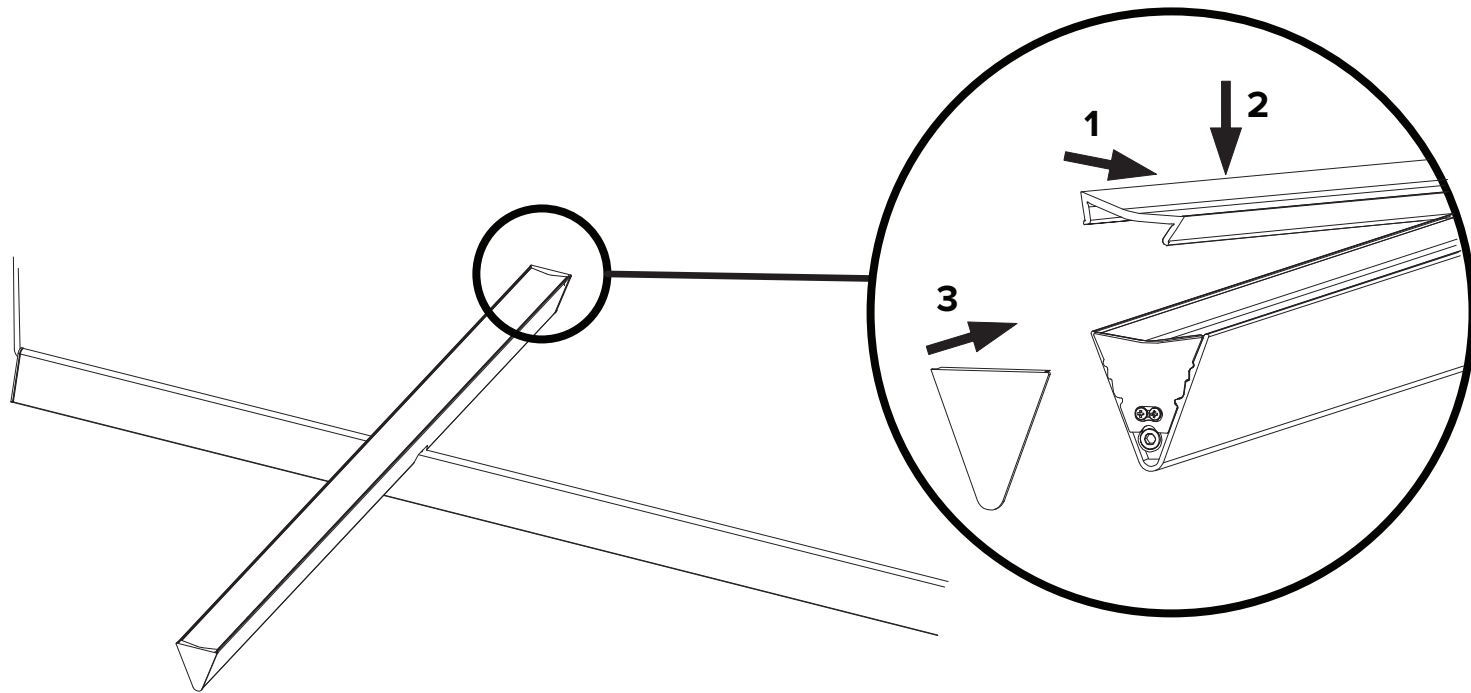


While you bring the two extrusions together ensure to place the downlight wires next to the anchor. Make sure the wire does not sit on top of the anchor and that it does not get pinched or scuffed.



6

Slide lens into opposite endcap (1)
then snap lens back into slots (2).
Replace endcap (3).



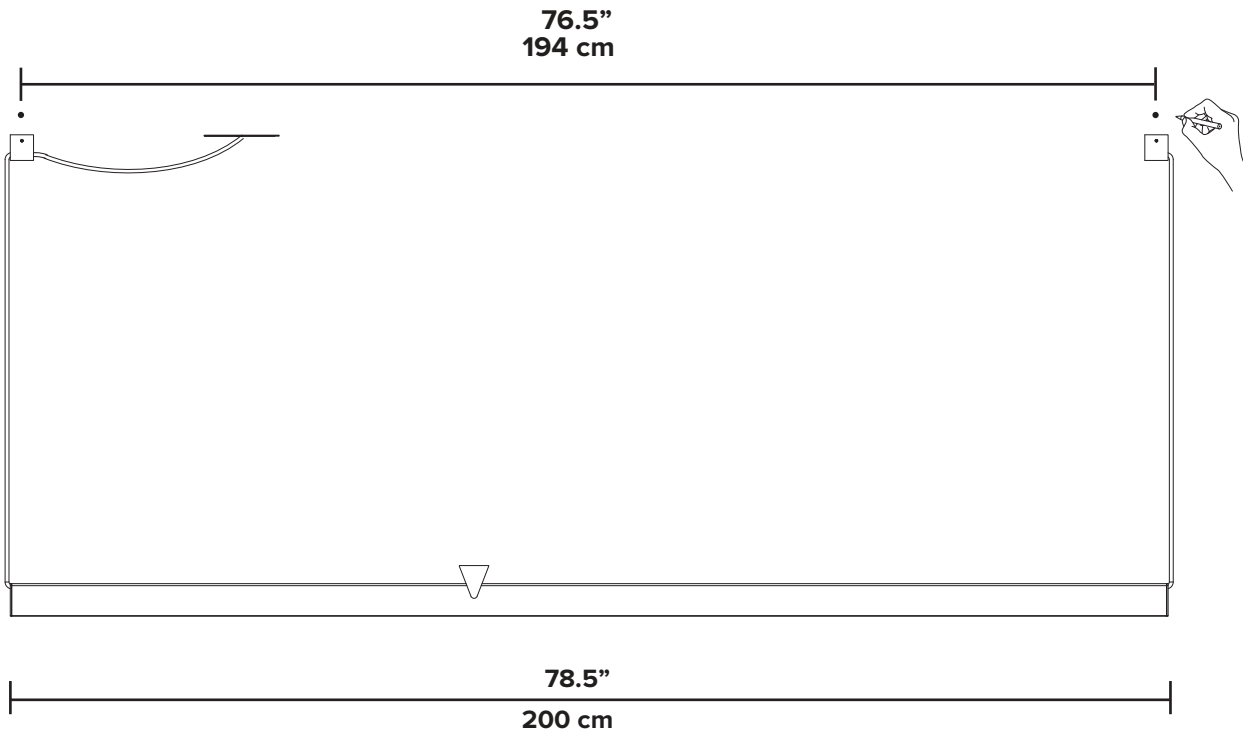
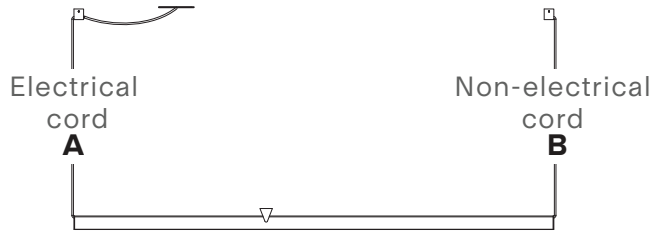
7

Mark anchor locations

Be sure all ceiling holes are aligned.
We recommend you mount luminaire with
uplight aligned with junction box.



Make sure to use appropriate
anchors for ceiling material



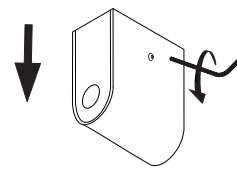
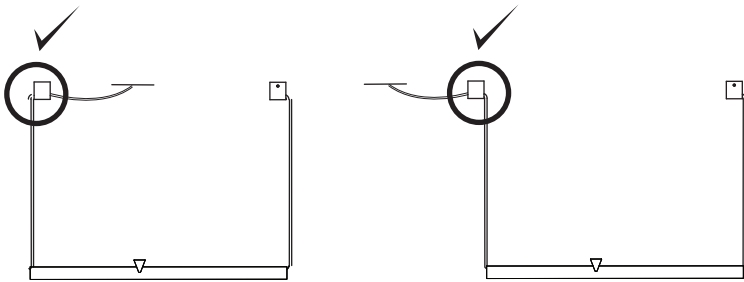
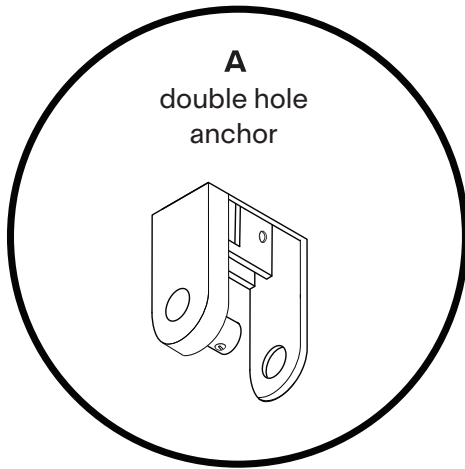
8

Mount double hole anchor with electrical cord

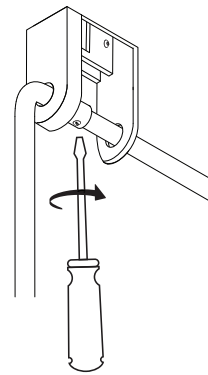
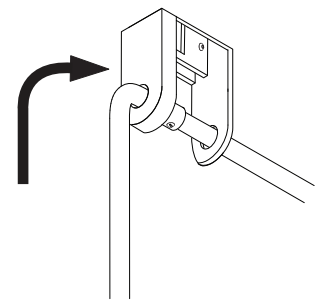
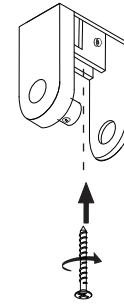
Pull wires to straighten them before mounting them.



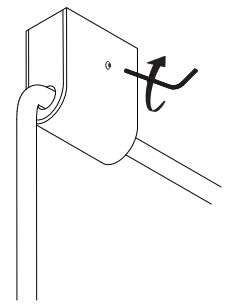
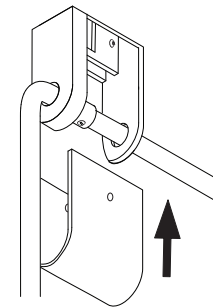
Make sure to use appropriate anchors for ceiling material



Remove or install cover by screwing and unscrewing set screw



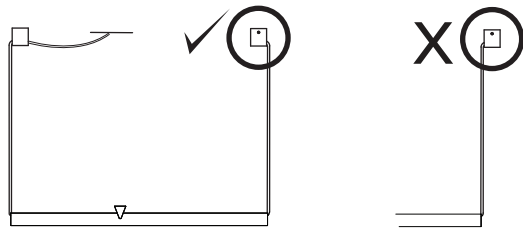
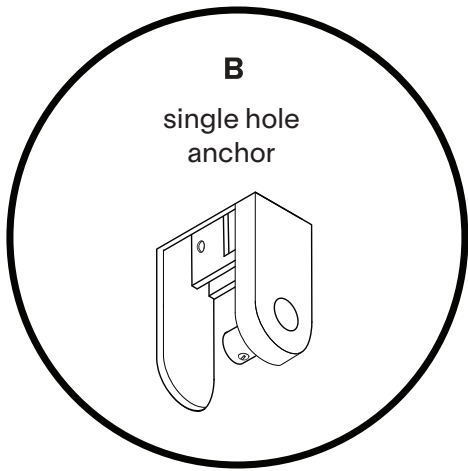
Screw gently, but firmly



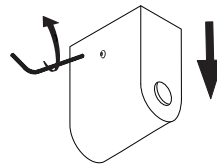
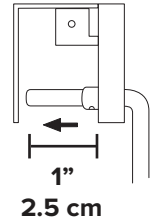
9

Mount single hole anchor
with non-electrical cord

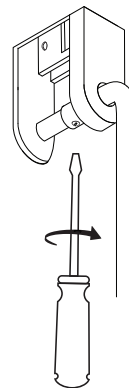
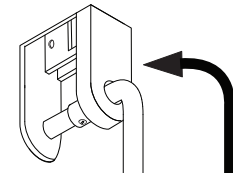
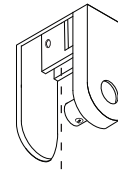
Pull wires to straighten them
before mounting them.



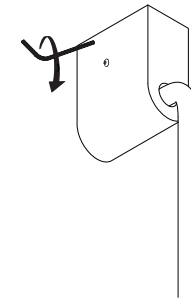
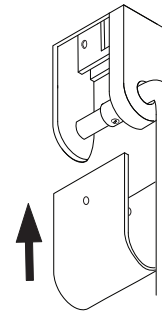
Make sure to use appropriate
anchors for ceiling material



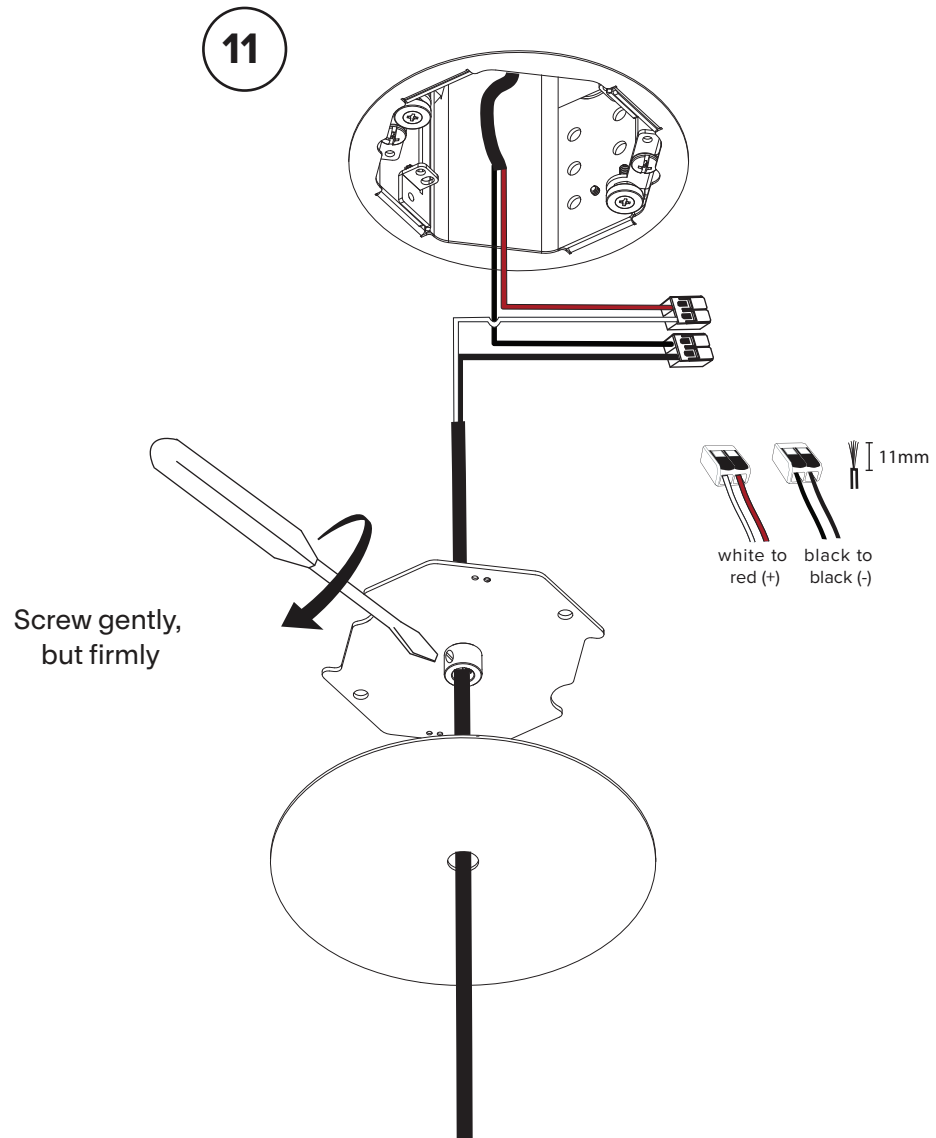
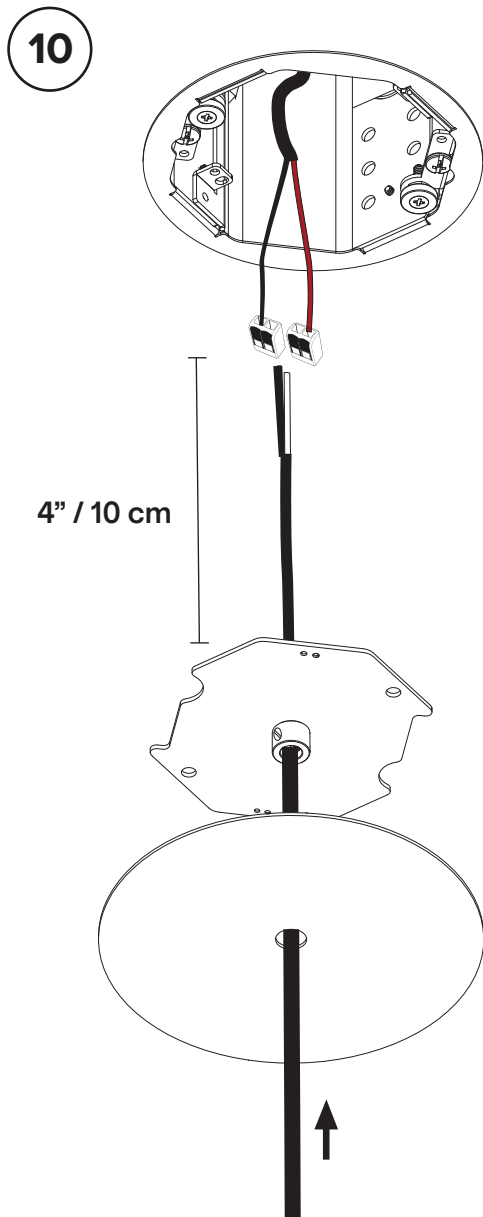
Remove or install
cover by screwing and
unscrewing set screw



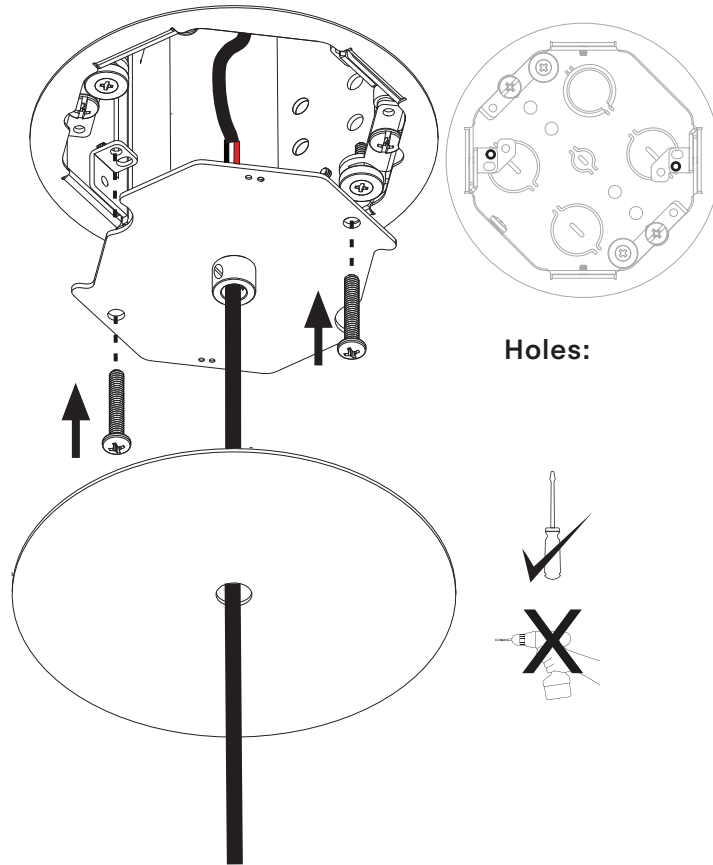
Screw gently, but firmly



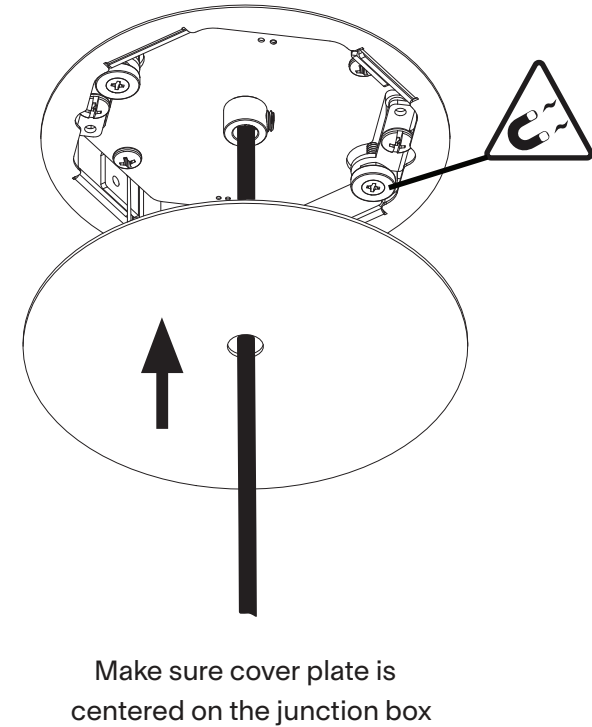
Steps to be completed AFTER steps
in recessed canopy annex



12



13



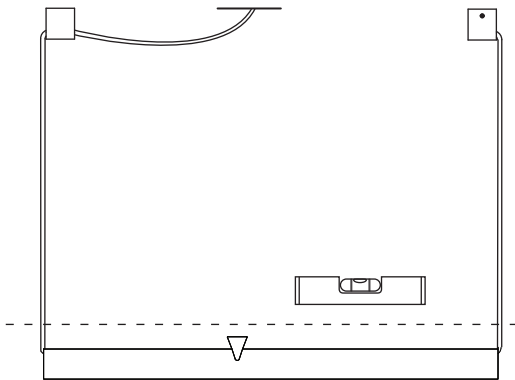
Levelling the luminaire



Before adjusting wire length or interior weight, carefully attempt to balance the luminaire by hand. The wire's flex can allow micro adjustments of their own.

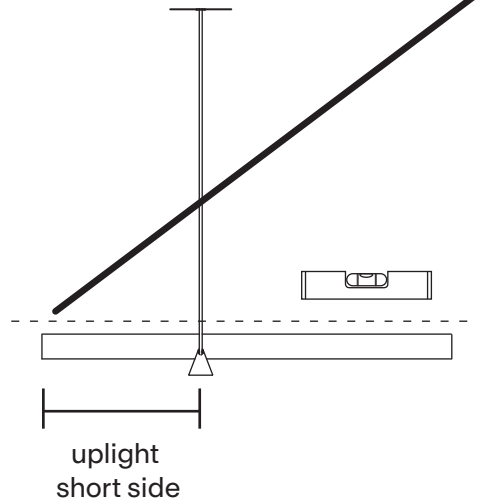
14

If necessary level downlight by adjusting length of wires

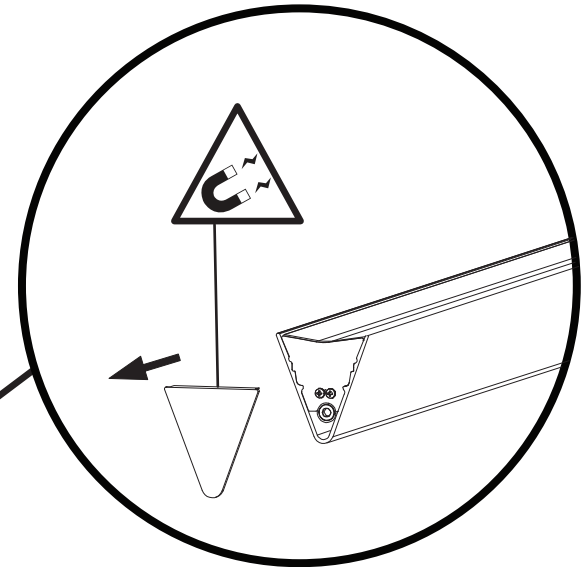


15

Should uplight adjustments be needed, remove encap on short side arm



Encdap is held in place with a magnet



Be careful when removing endcap that it does not stick to other surfaces which could result in scratches in the paint.

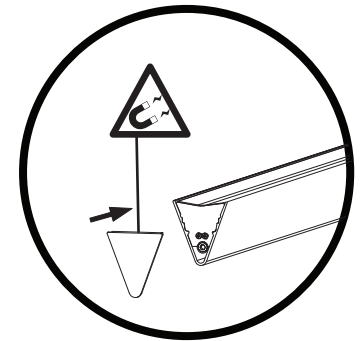
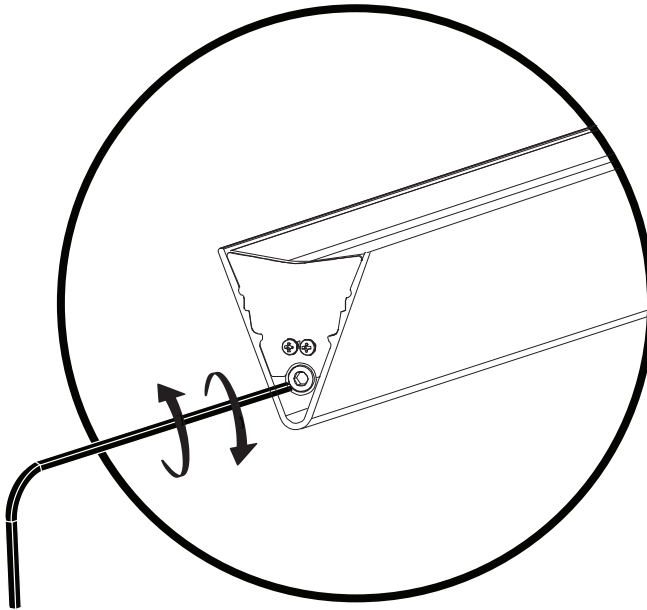
16

The adjustment screw holding the balance weight is now visible. Use provided allen key to screw weight in or out depending on balance.



Note that the endcap affects final balance of the luminaire!

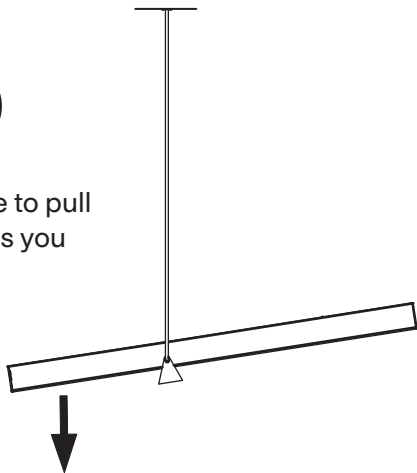
Luminaire will not appear balanced until the cap is in place.



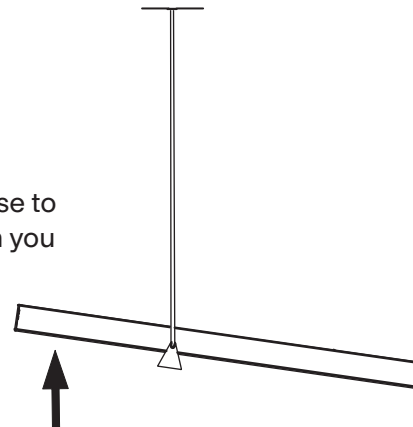
Replace endcap when adjustments are complete



Screw clockwise to pull weight towards you



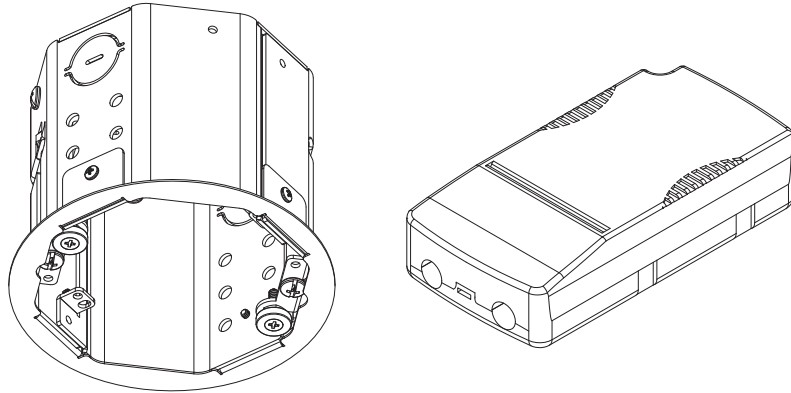
Screw counter-clockwise to push weight away from you




Readjustments may be required as your luminaire settles and the wires flex

RECESSED CANOPY INSTALLATION

Octobox with independent driver

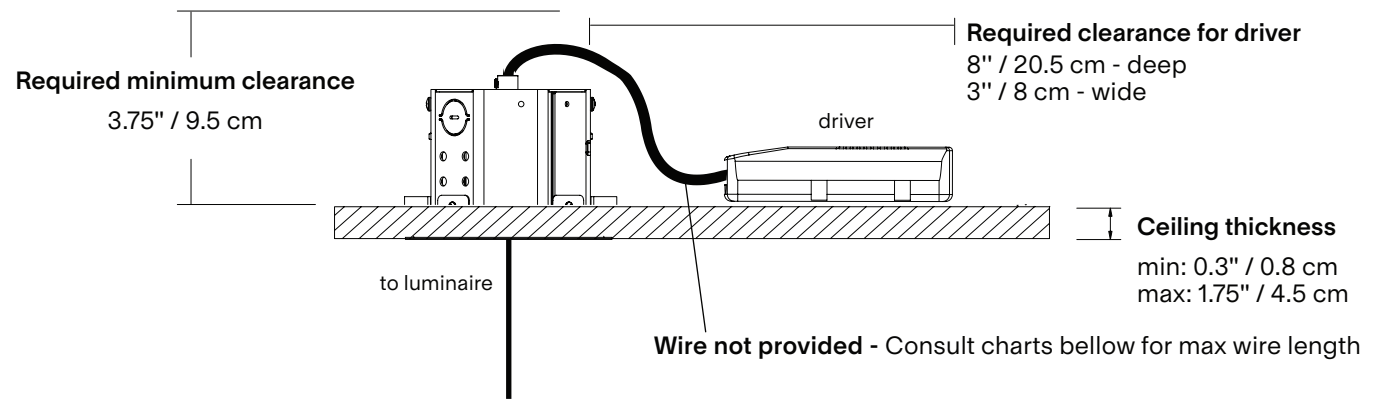




- Please read entire manual before beginning installation
- To be installed by an electrician
- Use appropriate screws where necessary
- For non-insulated hollow ceiling
- Wires for plenum not provided



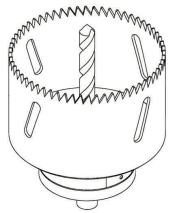
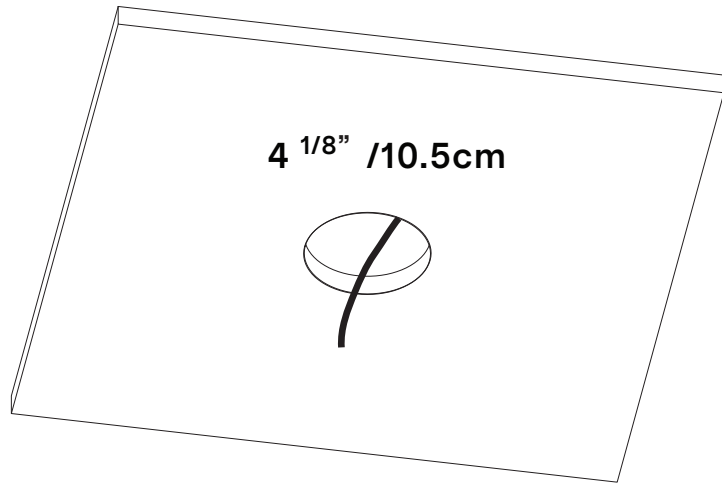
For remote driver installation
Consult chart below for max wire length.



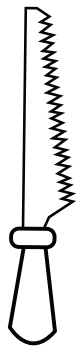
Distance between lamp and driver.

Wire gauge	Max Distance
18AWG	64.6 ft / 19.7m
16AWG	102.7 ft / 31.3m
14AWG	163.3 ft / 49.8m
12AWG	259.7 ft / 79.1m

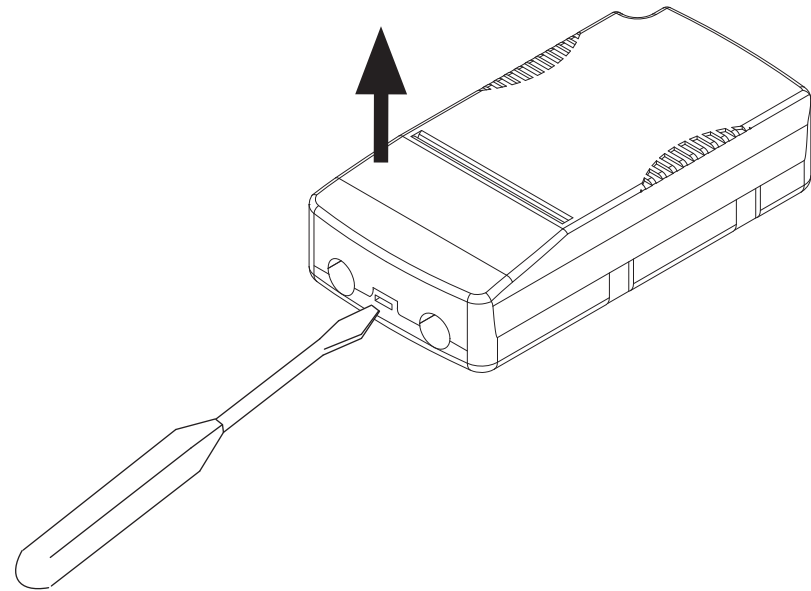
1

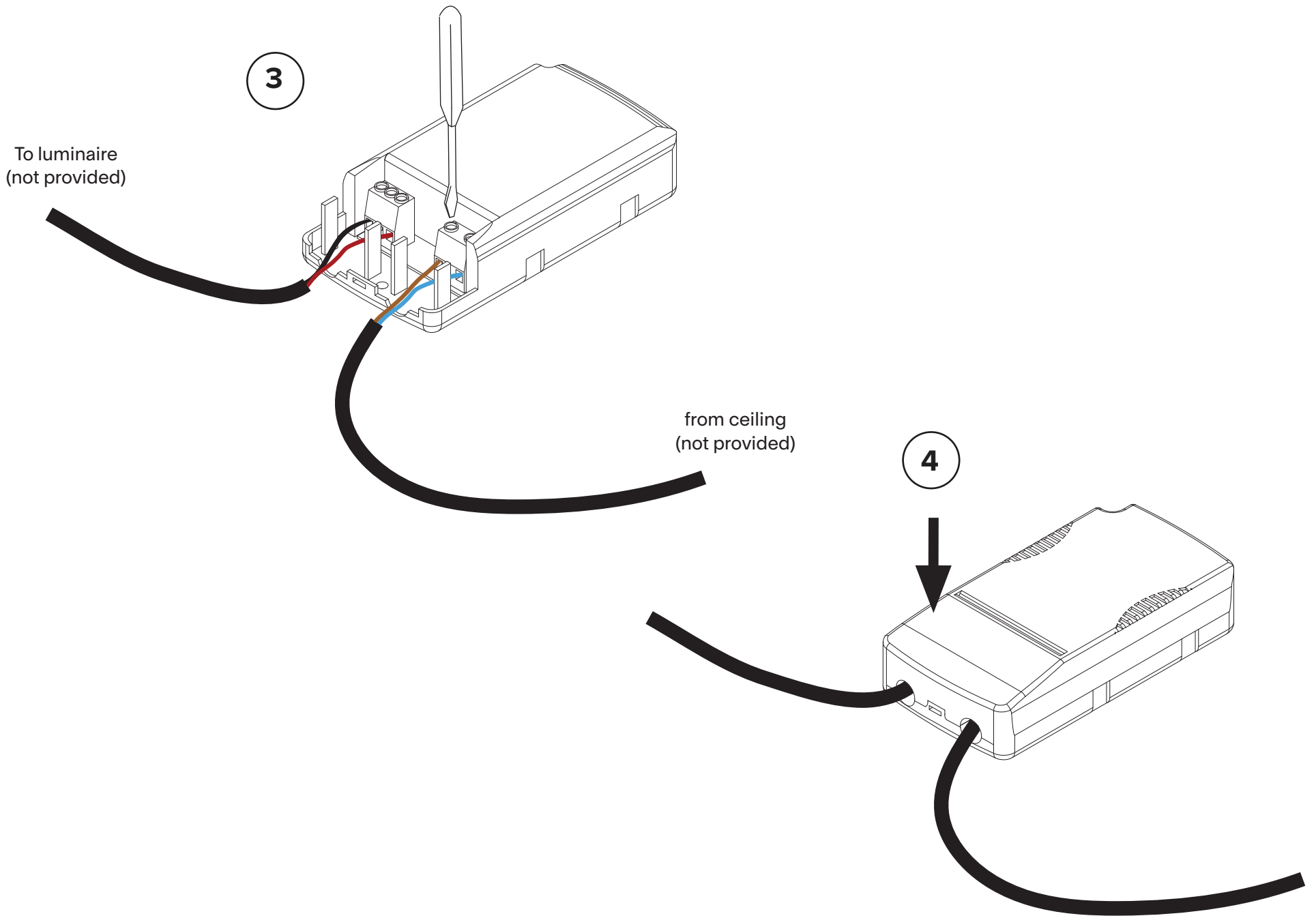


or



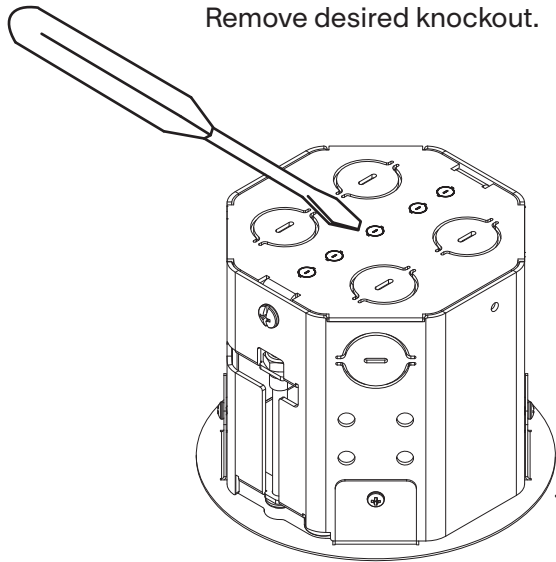
2



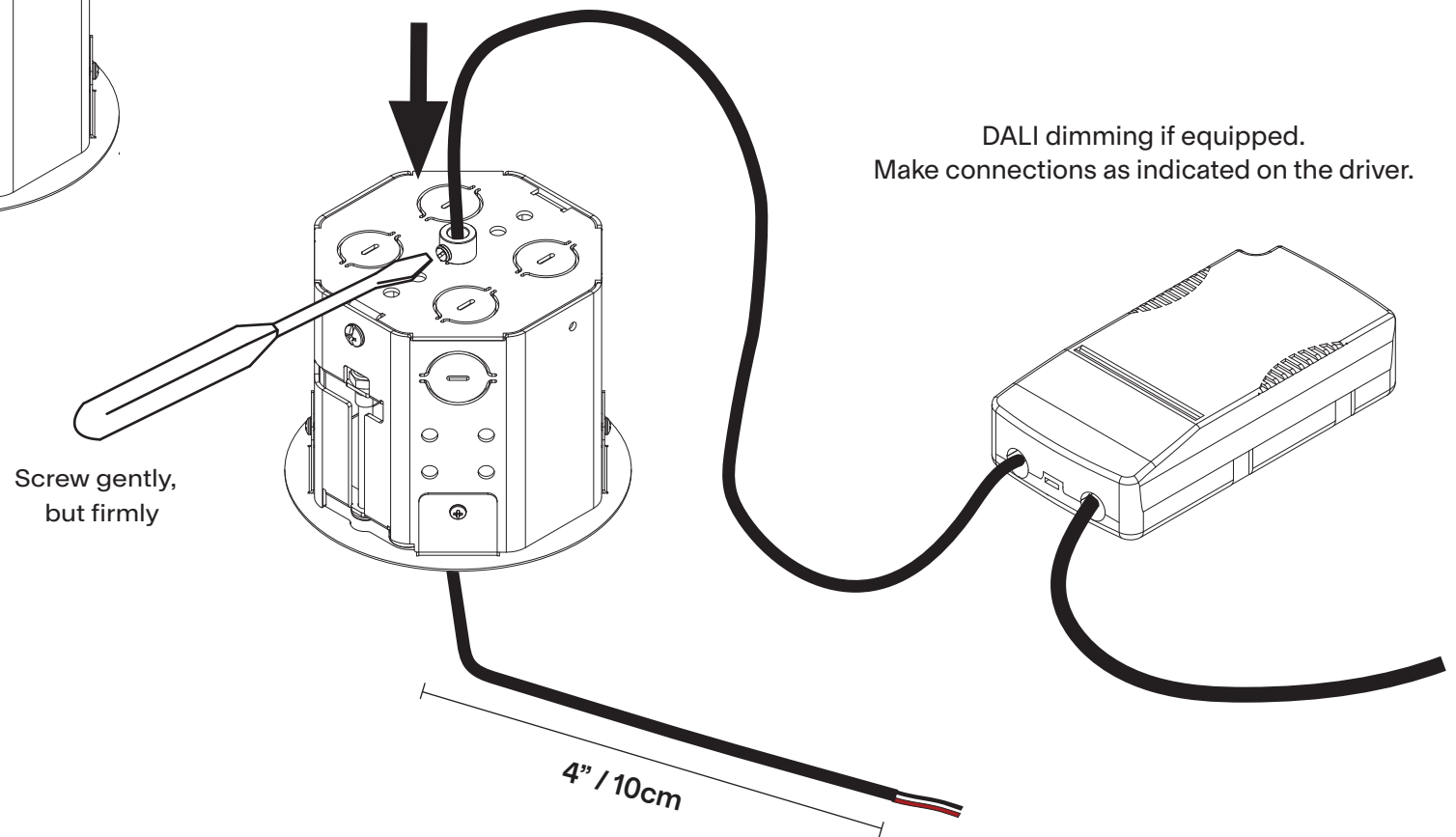


5

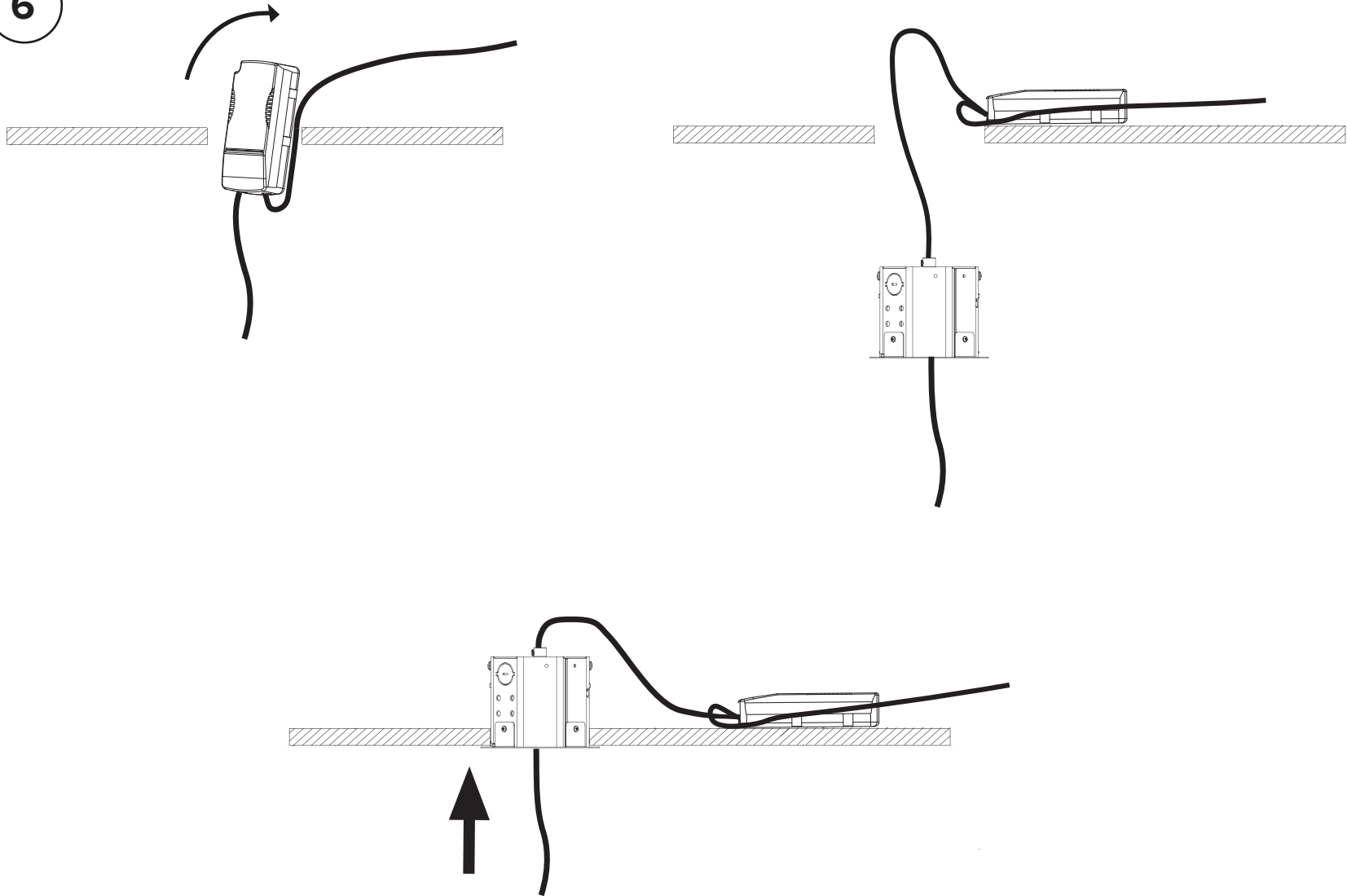
Remove desired knockout.



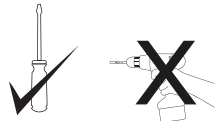
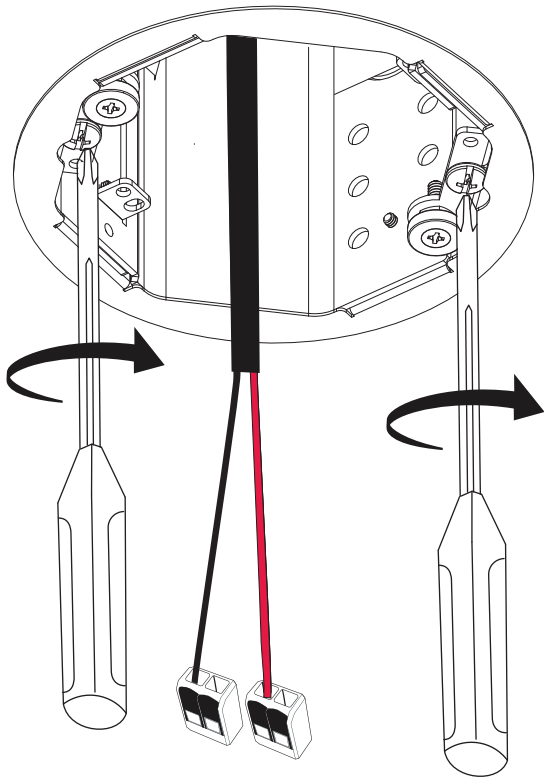
Use appropriate strain relief (not provided) depending on your wire gauge.



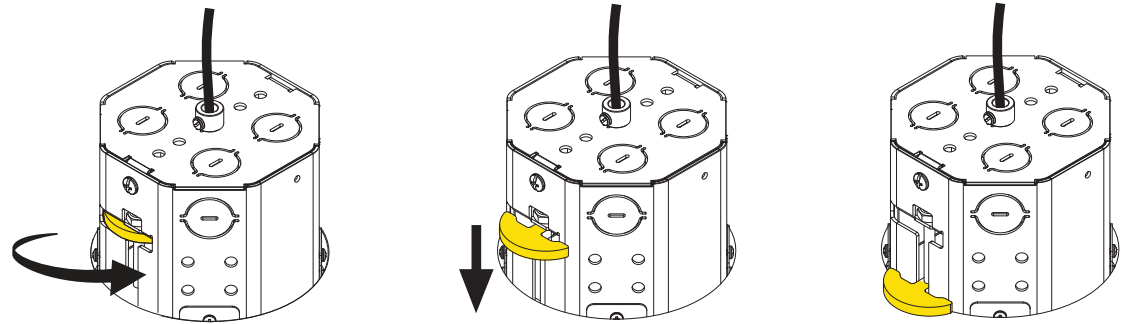
6



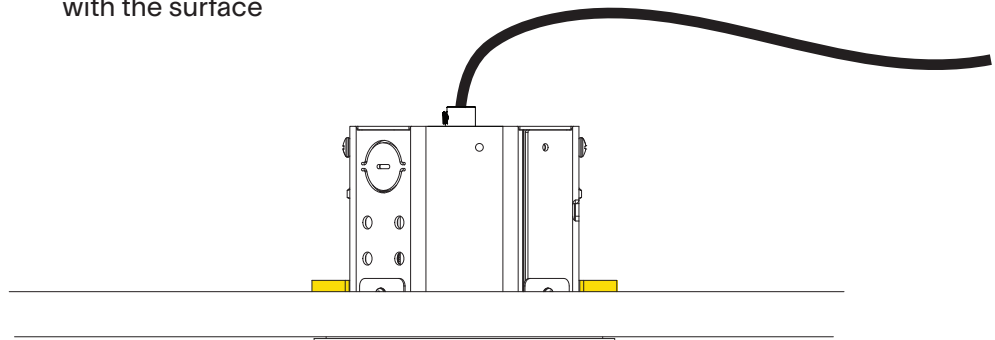
7



View from above



Stop when arms make contact with the surface



8

The recessed canopy is now installed, return to luminaire installation steps and follow the instructions (page 3).