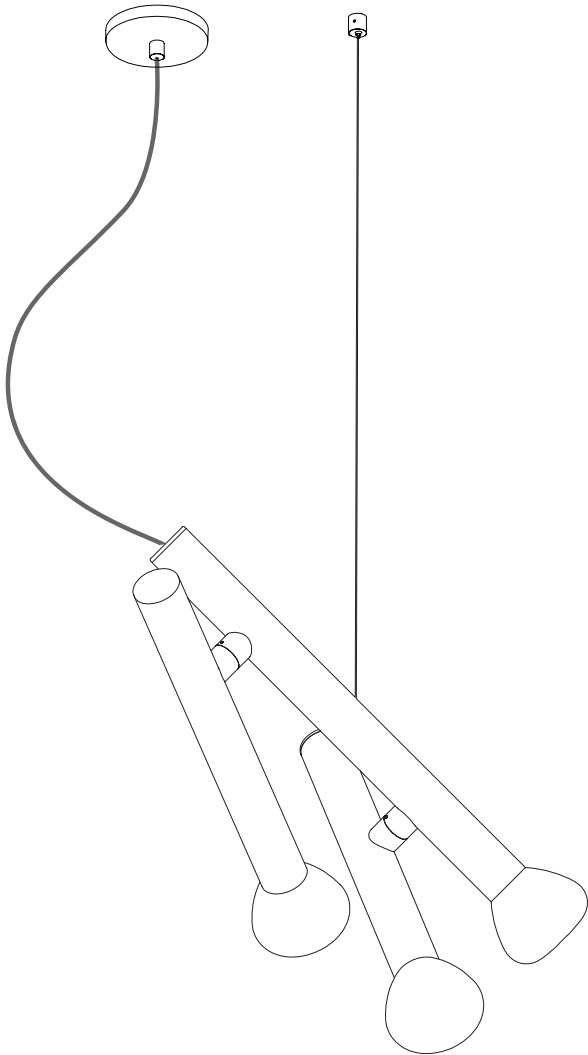


PARC 04



- Please read entire manual before beginning to install
- To be installed by an electrician to an electrical box
- Use appropriate screws where necessary
- Use appropriate anchors and ensure your electrical box can hold the weight of the luminaire.
- Wear enclosed gloves when handling lamp
- Handle materials with care. Please consult lamp maintenance sheet on our web site

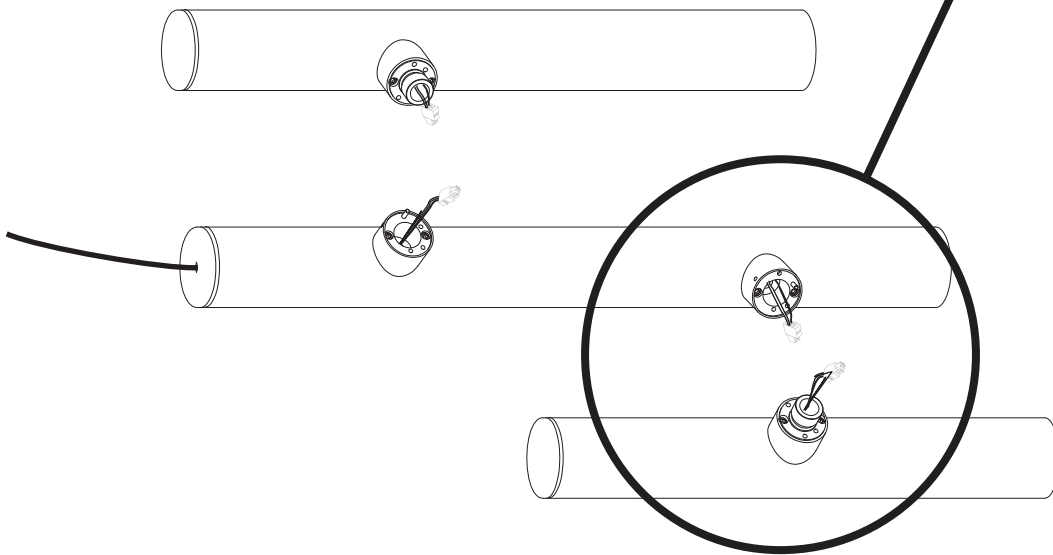


**Wear enclosed gloves when handling lamp, particularly the globe.
Use 90% alcohol to clean globe.**

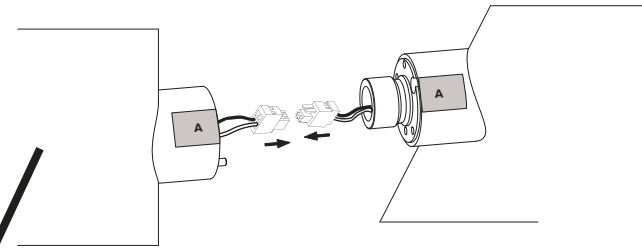
1

Position the three arms
on a non abrasive surface
as represented here.

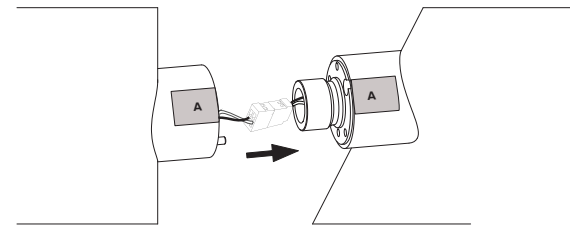
Sockets facing right.
Caps facing left.



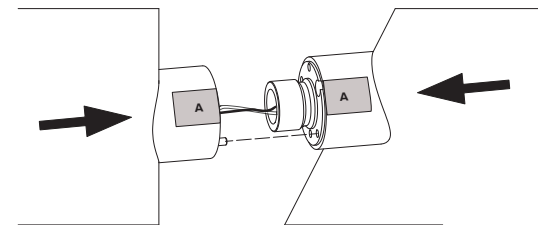
Attach quick-connectors



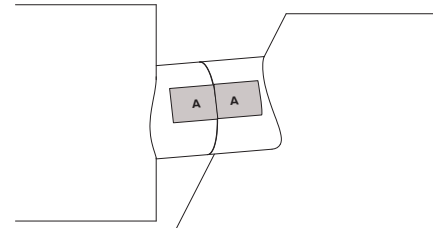
Carefully push quick-connectors into arm.



Align connector pin and
push arms together

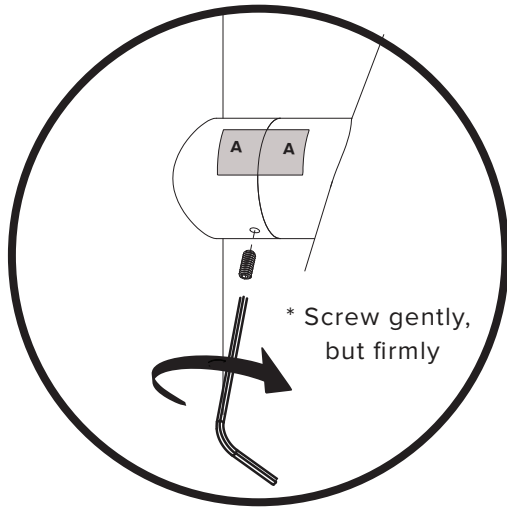


Make sure there are no gaps
and that the tapes are aligned



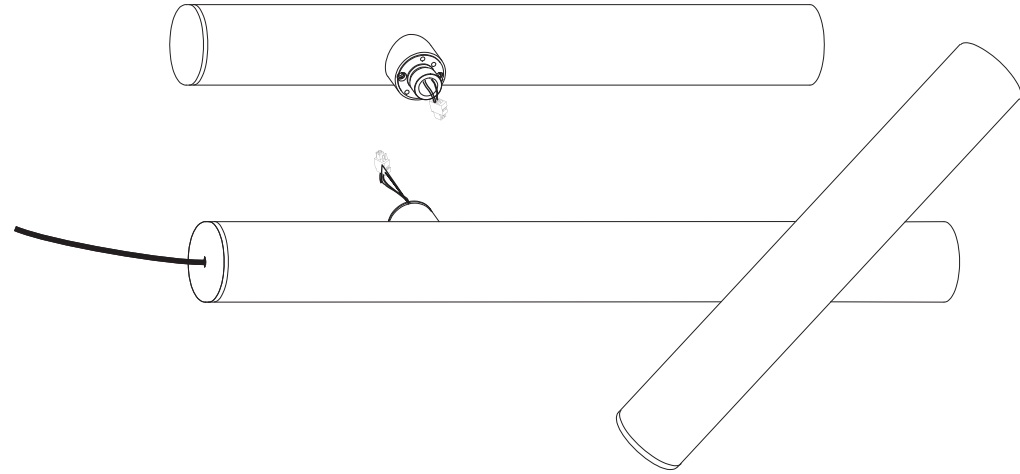
2

Hold arms tightly together while tightening set screw



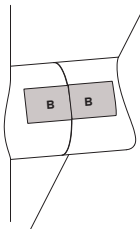
3

Carefully rotate the connected larger arm into this position so that the **B** junctions are close.



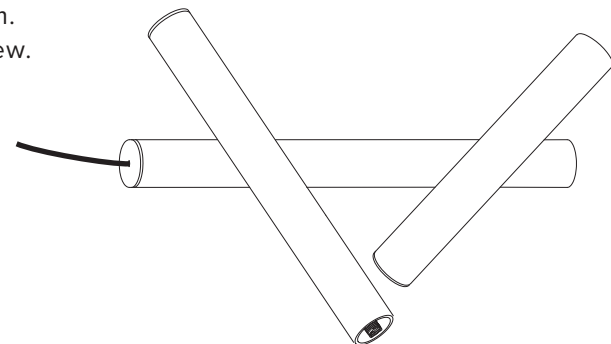
4

Follow steps 1 and 2 for the third arm while aligning the **B** tape



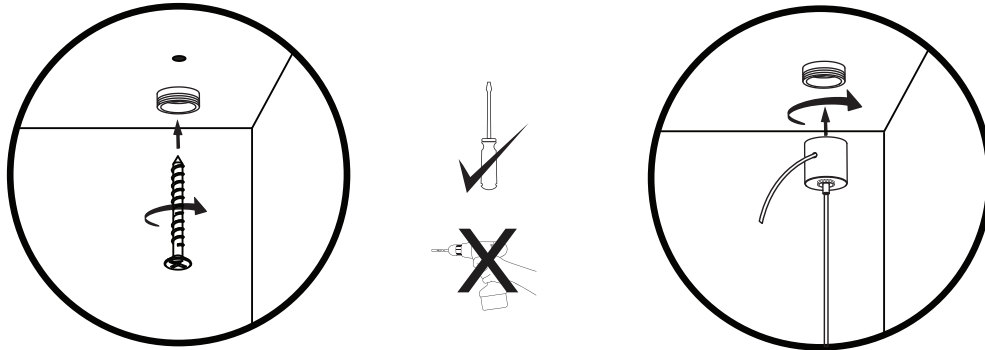
5

Retighten first set screw to ensure that it has not loosened while installing third arm. Recheck second set screw.



6

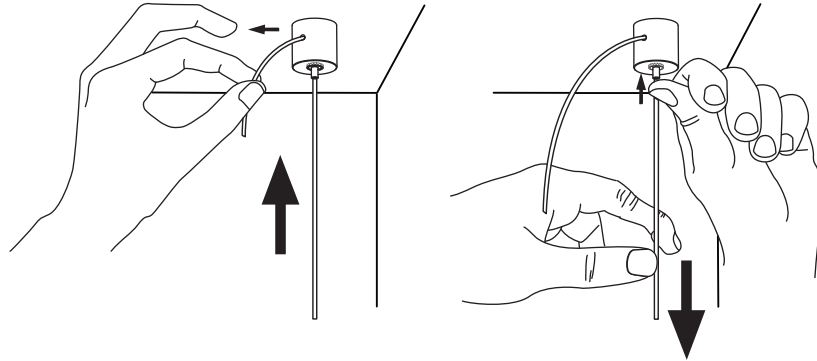
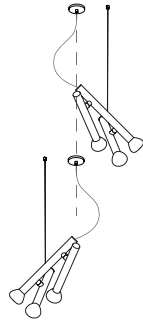
Install ceiling anchors



USE APPROPRIATE ANCHORS

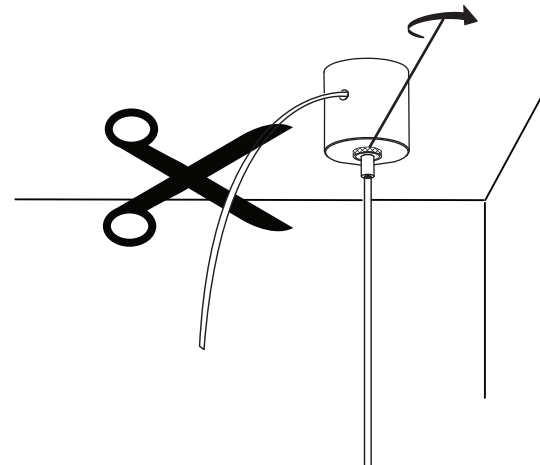
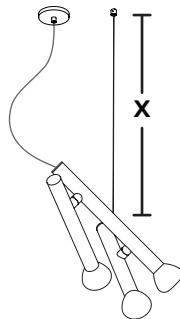


Note that the placement of your canopy in relation to the anchor will affect the direction of your luminaire

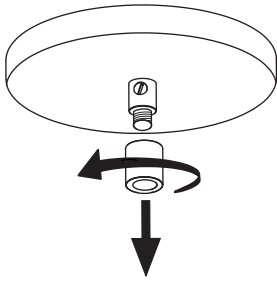


7

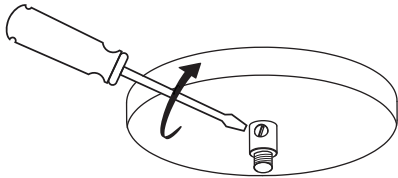
Secure the cable gripper then trim extra cable when desired level and height (X) are achieved



8

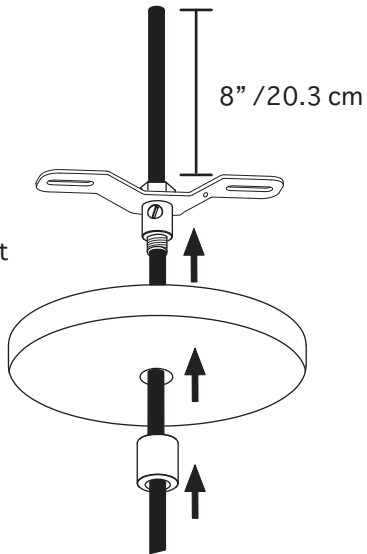


9



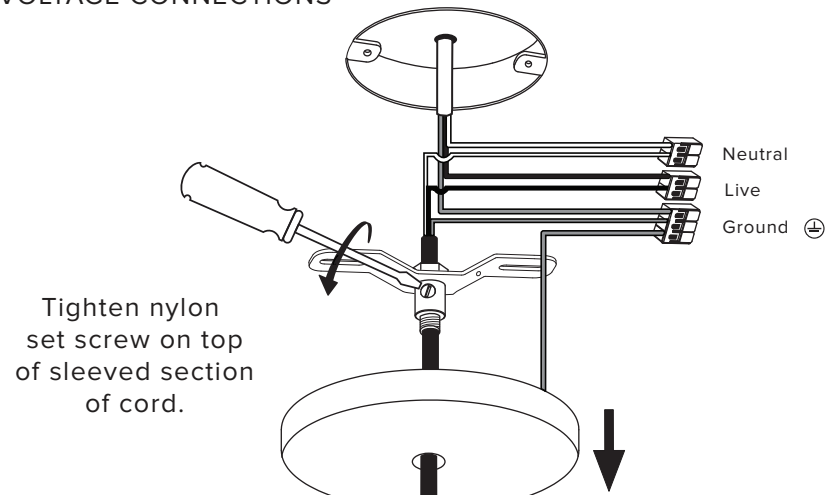
10

Feed cord through then adjust cord length. Leave at least 8" / 20.3 cm of cord after the bracket.



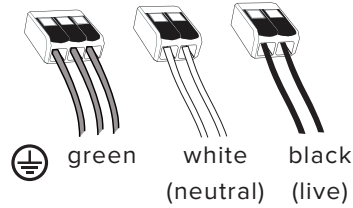
11

MAKE MAIN/LINE VOLTAGE CONNECTIONS

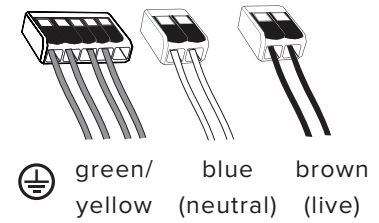


Tighten nylon set screw on top of sleeved section of cord.

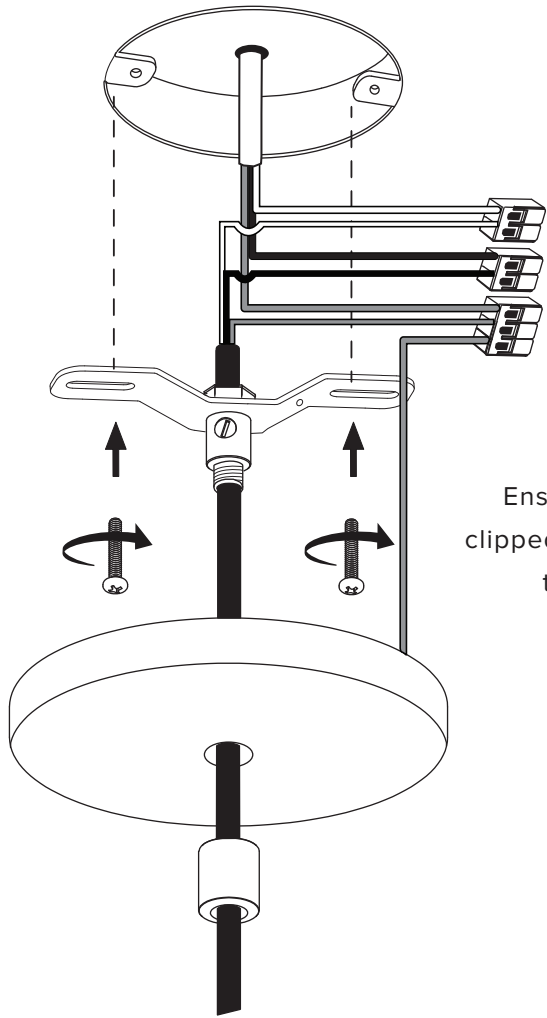
for 120 V wiring



for 220-240 V wiring

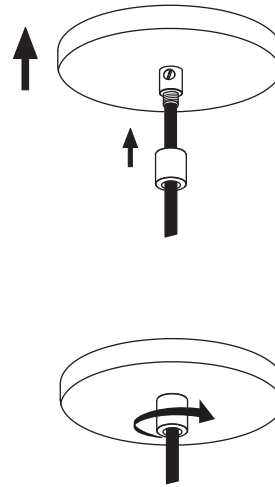


12



Ensure no wires are clipped or pinched during this operation.

13



14

Insert bulbs and globes



Wear enclosed gloves when handling luminaire, particularly the globe.

To clean the globe, ensure the luminaire is disconnected from supply, then use 90% alcohol to clean it.

