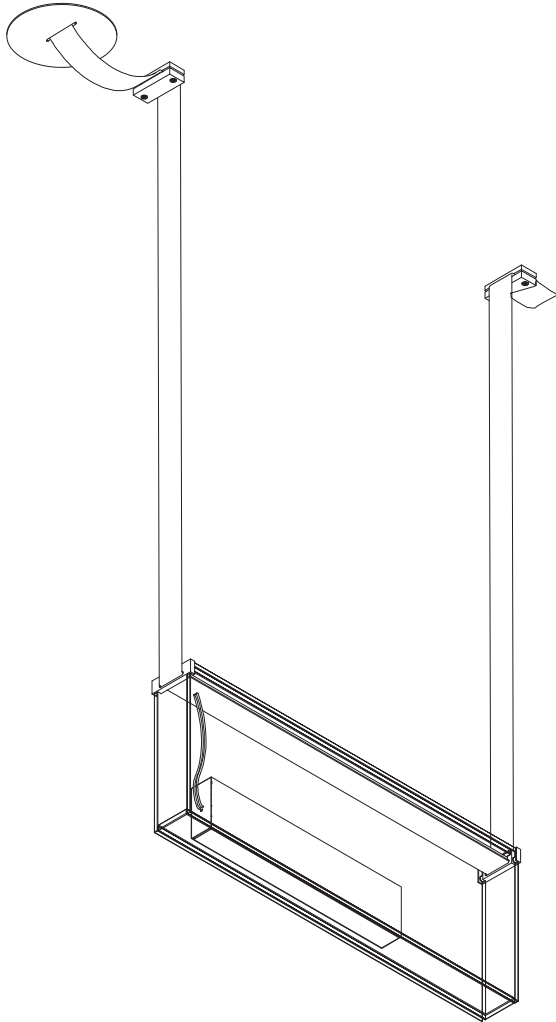


---

## SAINTE 120V

---

(phase and 0+10V dimming)  
Plenum or remote installation



### **WARNING - ACRYLIC PRODUCT** **IMPORTANT NOTICE**

Take extra care when handling or moving the acrylic shade of the luminaire. Avoid touching it with any tools and keep away from any hard or abrasive surfaces (like rings, jewellery, watches, etc.). The edges and corners are especially fragile.

Keep the acrylic clean and wear gloves at all times. Do not put hands inside the acrylic body unnecessarily. This will allow for less cleaning and less chance to damage the acrylic.

If your acrylic shade is warm or cold, let it rest at room temperature before installation.

Read and follow all steps carefully allowing the appropriate time for each step. Rushing the installation may cause accidents or damage.



**Never turn on power supply  
until installation is completed**



- Please read entire manual before installation
- To be installed by an electrician
- Use appropriate screws and anchors where necessary
- Wear enclosed gloves when handling lamp
- Handle materials with care. Please consult lamp maintenance sheet on our web site

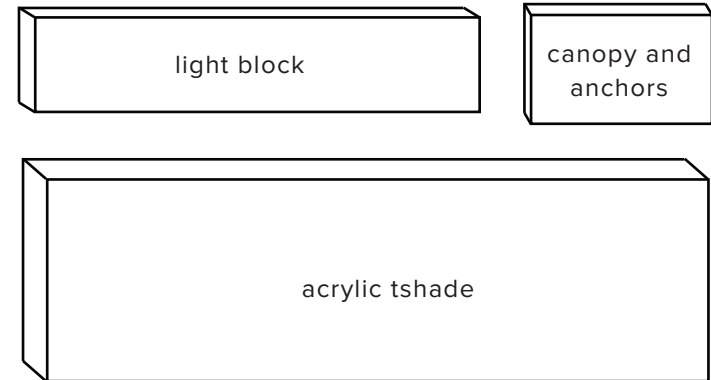


## PLEASE NOTE

ALL SAINTE MODELS FOLLOW  
THE SAME INSTALLATION PROCESS.

Each luminaire comes shipped in three boxes.

To protect the luminaire do not open the boxes until  
the installation process requires it.



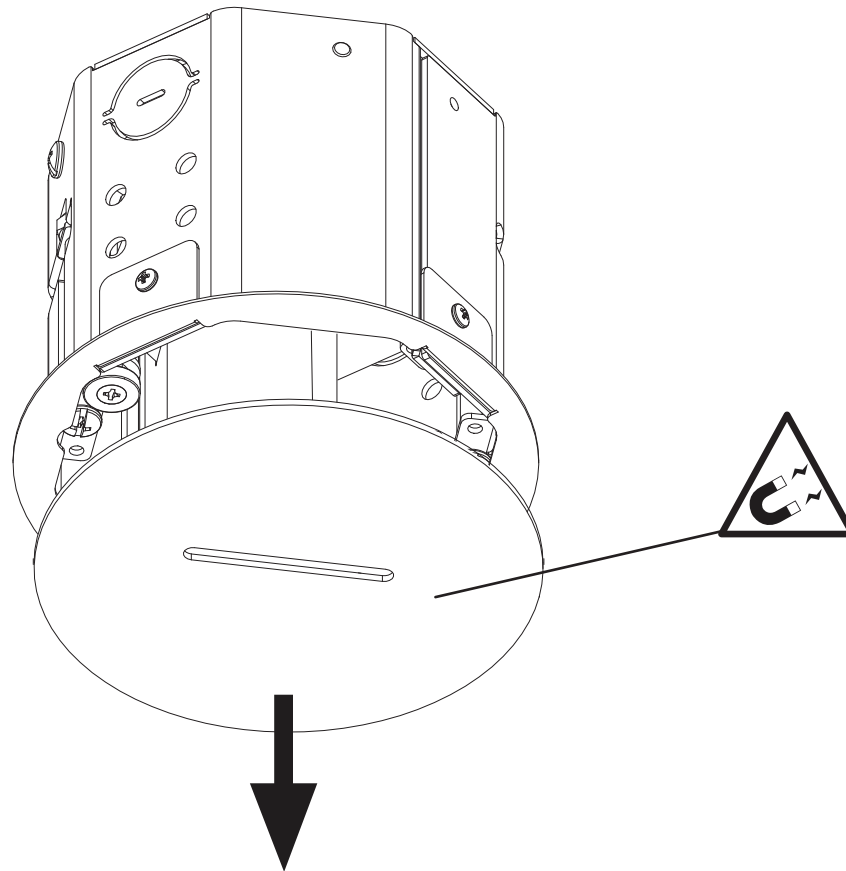
\*One pair of scissors has been  
provided for each order. If you  
order several Saintes, only one  
pair will be provided.

1

Remove Octobox cover plate.

Refer to:

Annex A (plenum installation) - page 19  
Annex B (remote driver installation) - page 25



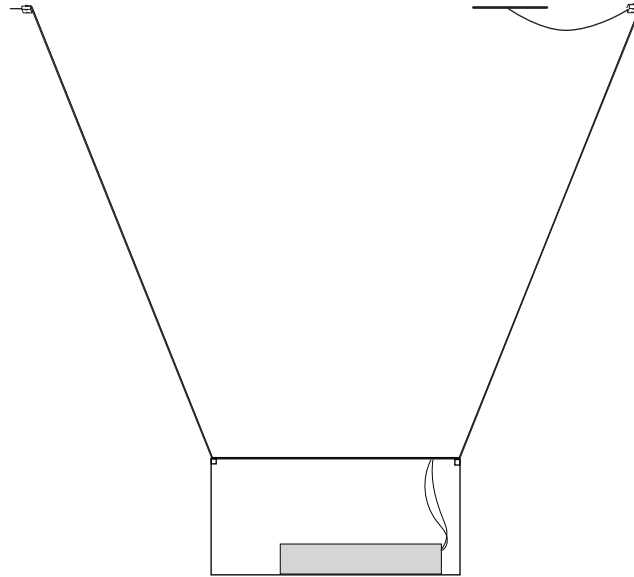
Close the cover plate before  
returning to the luminaire installation.

# INSTALL CEILING ANCHORS

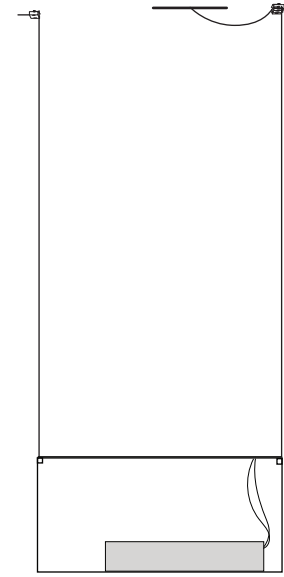
2

Determine the setup of your luminaire, either angled or parallel.

angled



parallel

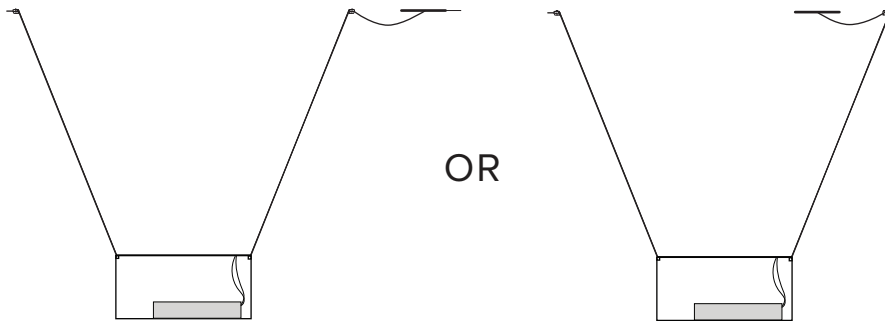


OR

Choose the placement of your canopy, either exterior or interior

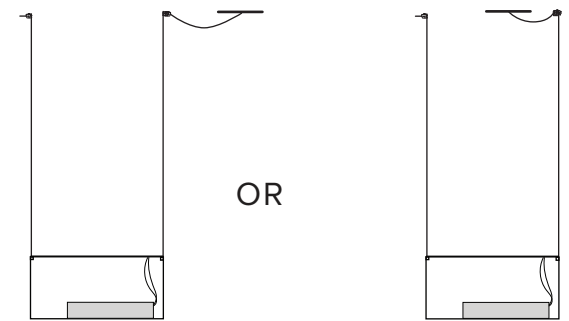
exterior

interior



exterior

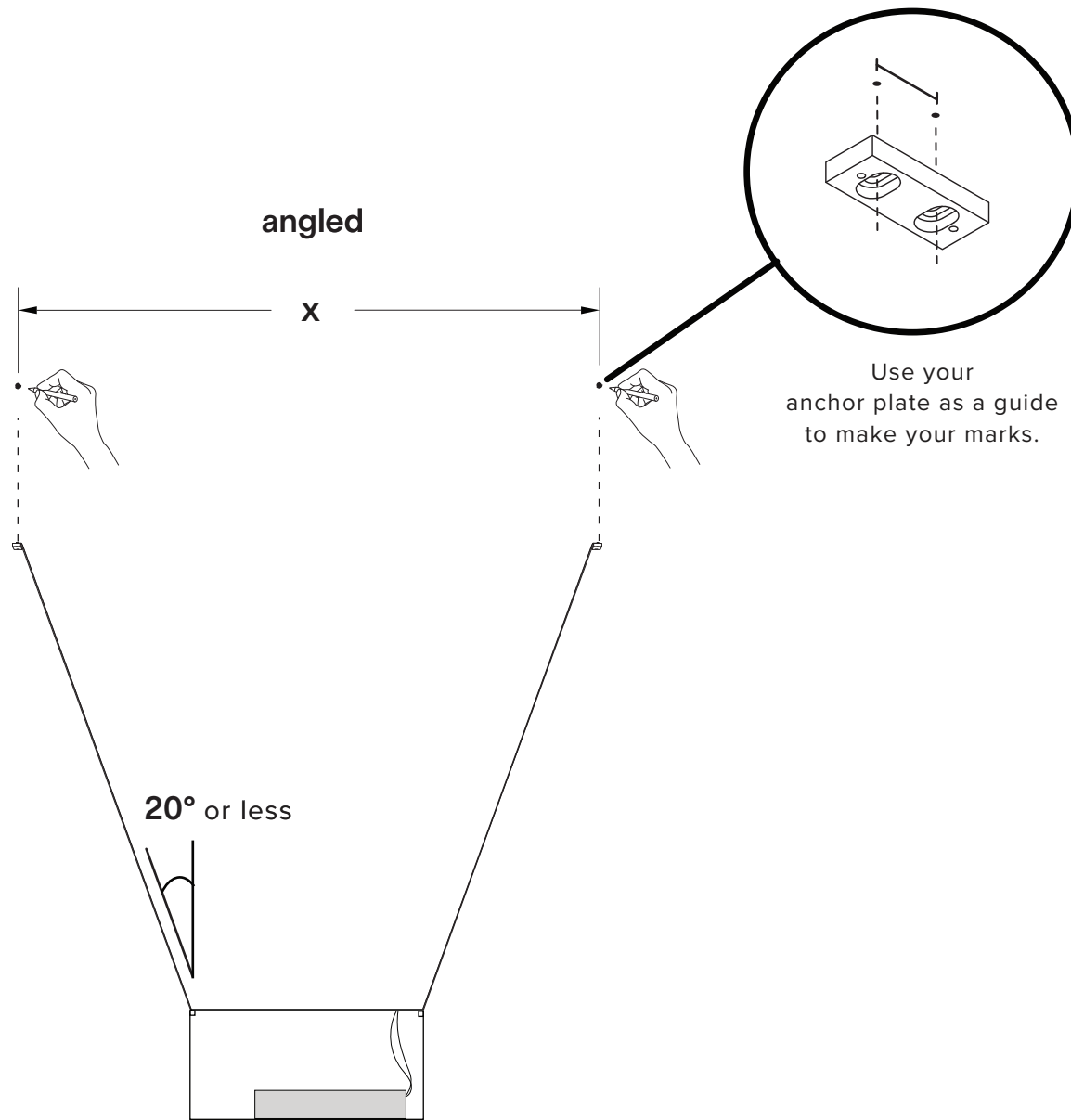
interior



3

For angled mark  
your **X** dimension.

The distance is from center  
to center of each anchor.



Use your  
anchor plate as a guide  
to make your marks.

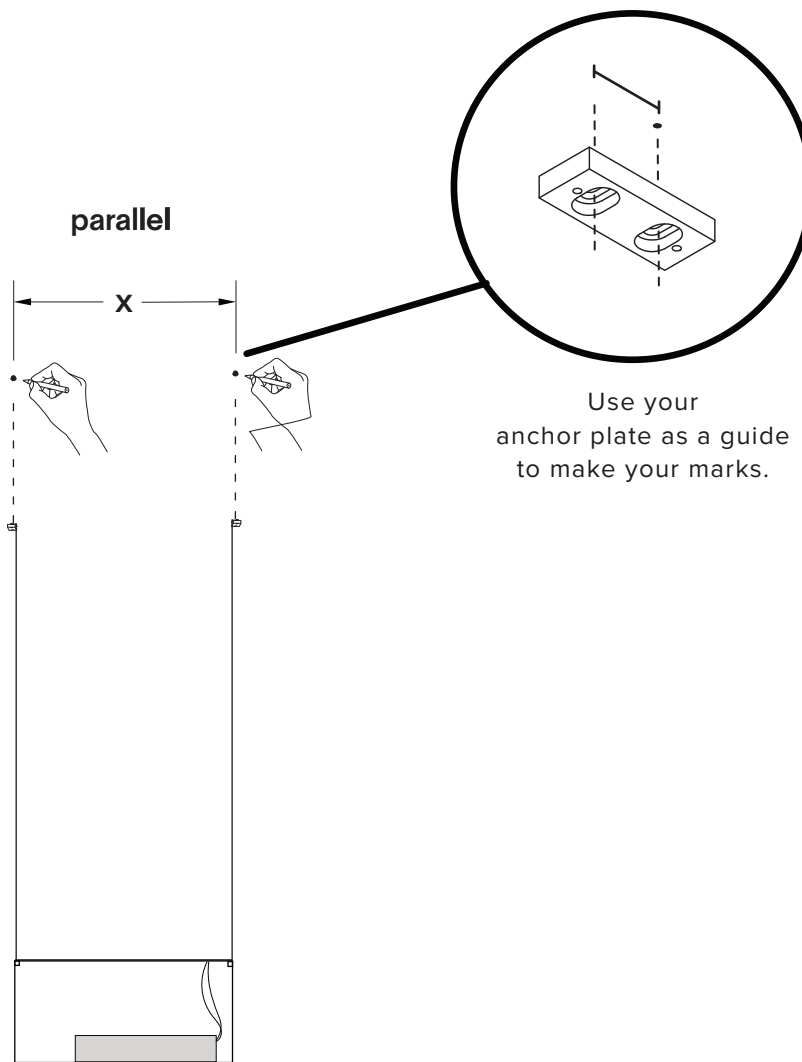
Choose your distance **X**  
for angled as long as it is less  
than **20°**.

**4**

For parallel mark your **X** dimension.

The distance is from center to center of each anchor.

Note that dimensions vary for interior or exterior canopy.

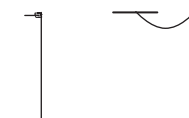


For **X** refer to the distance chart for your model.



**EXTERIOR CANOPY**

<b>X = SAINTE 01</b>	31 <sup>3</sup> / <sub>8</sub> " / 79.7 cm
<b>SAINTE 02</b>	19 <sup>7</sup> / <sub>8</sub> " / 50.5 cm
<b>SAINTE 03</b>	16 <sup>3</sup> / <sub>8</sub> " / 41.6 cm
<b>SAINTE 04</b>	9 <sup>3</sup> / <sub>8</sub> " / 23.8 cm
<b>SAINTE 05</b>	23 <sup>7</sup> / <sub>8</sub> " / 60.6 cm
<b>SAINTE 06</b>	49 <sup>5</sup> / <sub>8</sub> " / 126 cm
<b>SAINTE 07</b>	25 <sup>5</sup> / <sub>8</sub> " / 65.1 cm
<b>SAINTE 08</b>	21 <sup>5</sup> / <sub>8</sub> " / 54.9 cm
<b>SAINTE 09</b>	28 <sup>5</sup> / <sub>8</sub> " / 72.7 cm



**INTERIOR CANOPY**

<b>X = SAINTE 01</b>	30 <sup>1</sup> / <sub>4</sub> " / 76.8 cm
<b>SAINTE 02</b>	18 <sup>3</sup> / <sub>4</sub> " / 47.6 cm
<b>SAINTE 03</b>	15 <sup>1</sup> / <sub>4</sub> " / 38.7 cm
<b>SAINTE 04</b>	not possible for this model
<b>SAINTE 05</b>	22 <sup>3</sup> / <sub>4</sub> " / 57.8 cm
<b>SAINTE 06</b>	48 <sup>1</sup> / <sub>4</sub> " / 122.6 cm
<b>SAINTE 07</b>	24 <sup>1</sup> / <sub>4</sub> " / 61.6 cm
<b>SAINTE 08</b>	20 <sup>1</sup> / <sub>4</sub> " / 51.4 cm
<b>SAINTE 09</b>	27 <sup>1</sup> / <sub>4</sub> " / 69.2 cm

5

Install the aluminum ceiling anchors.

**\* Use appropriate mounting hardware (not provided) for the weight of your luminaire**

**SAINTE 01** 14.3 lb / 6.5 kg

**SAINTE 02** 21.7 lb / 9.8 kg

**SAINTE 03** 18.3 lb / 8.2 kg

**SAINTE 04** 7.1 lb / 3.2 kg

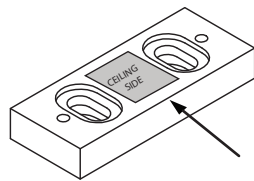
**SAINTE 05** 15.1 lb / 6.8 kg

**SAINTE 06** 41.8 lb / 18.6 kg

**SAINTE 07** 44.1 lb / 20 kg

**SAINTE 08** 42.1 lb / 19.1 kg

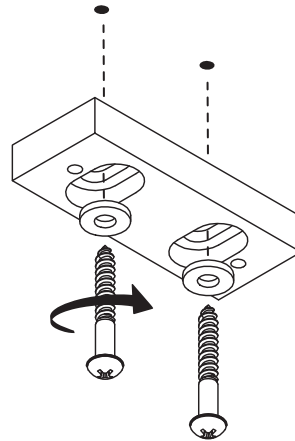
**SAINTE 09** 31 lb / 14.1 kg



Note the ceiling side of the anchor is clearly labelled with a sticker.

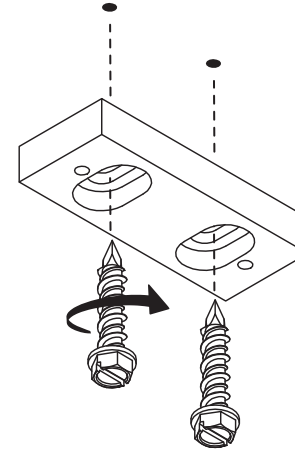


Make sure screw heads are fully immersed into the holes.



Assembly with NO.8 screws (or other) and washers (included)

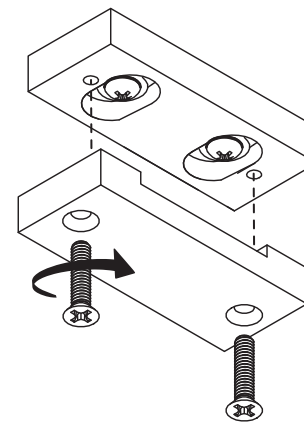
OR



Assembly with Tapcon no washers required

6

Partially screw the top plate of the anchor to temporarily allow the ribbon to freely pass through.

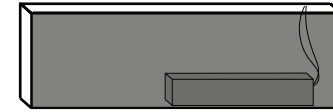


# DETERMINE ORIENTATION OF THE GLASS SHADE AND THE ELECTRICAL SIDE

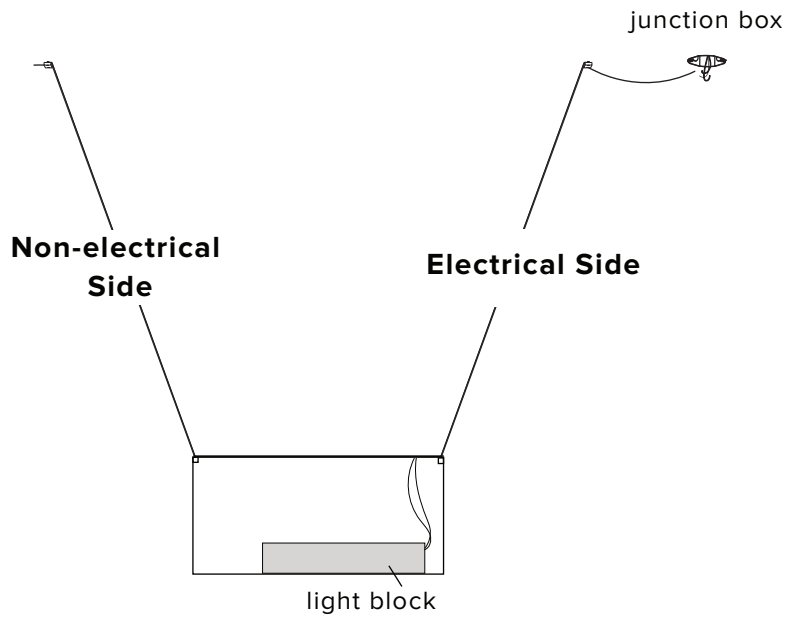
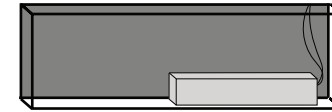
7

The light block should be on the same side as your junction box

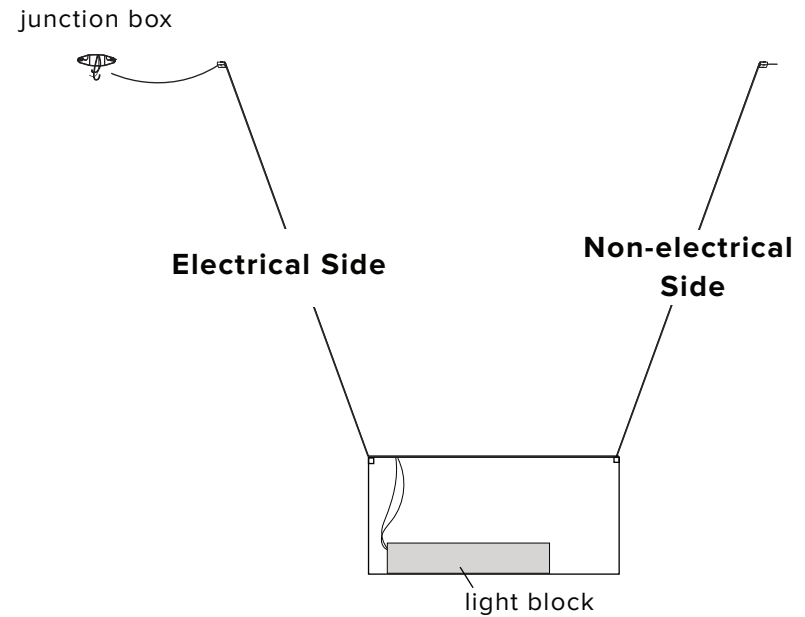
Choose the orientation for acrylic shades with different finishes on both sides.



OR



OR



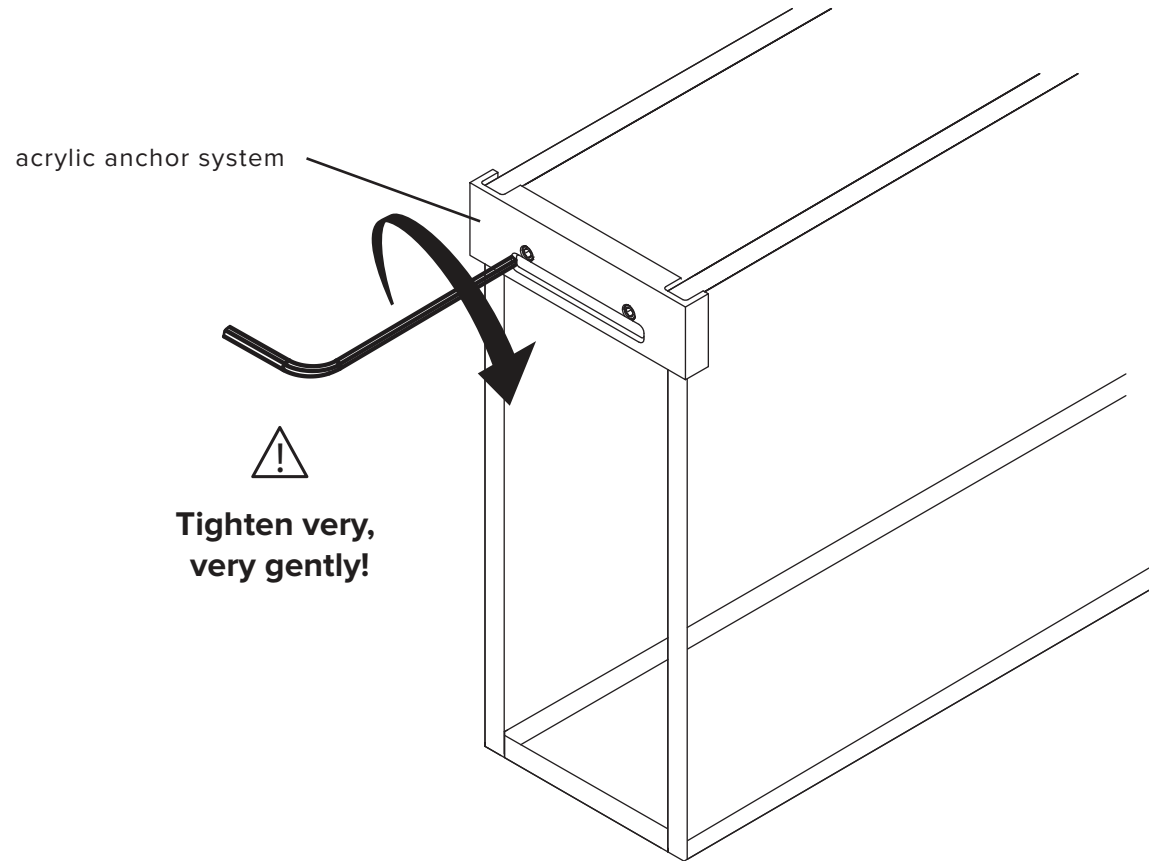
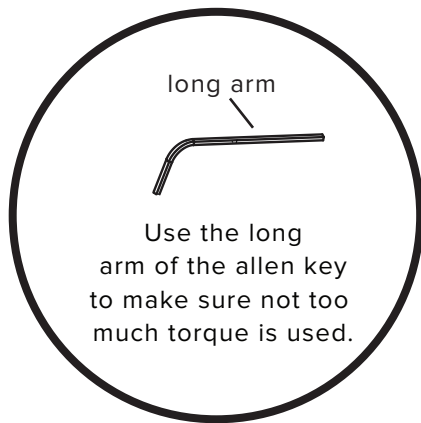


## PREPARE THE ACRYLIC SHADE

8

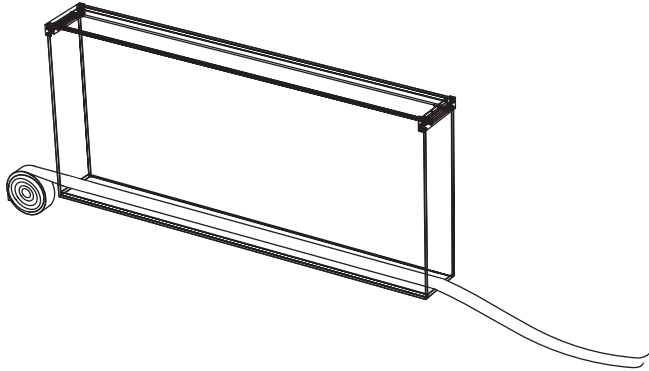
To ensure a secure assembly, gently tighten the four screws equally. Tighter 1/4 turn at a time while alternating screws.

Ensure that there is slight pressure on the acrylic, that the pressure is equally balanced and that there is no movement in the acrylic anchor system.

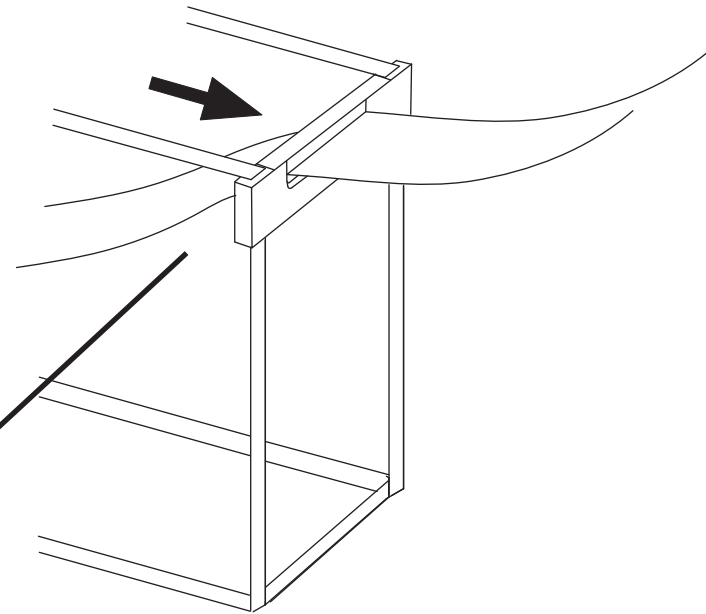
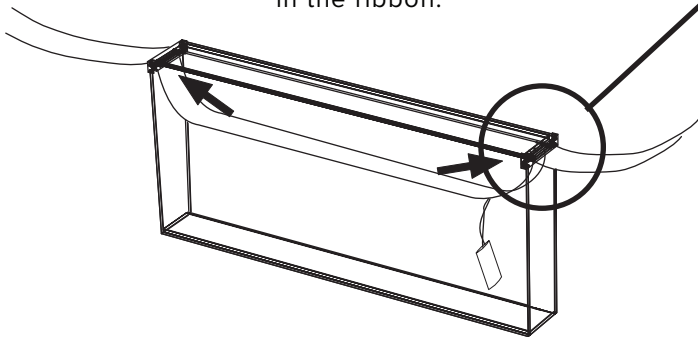


9

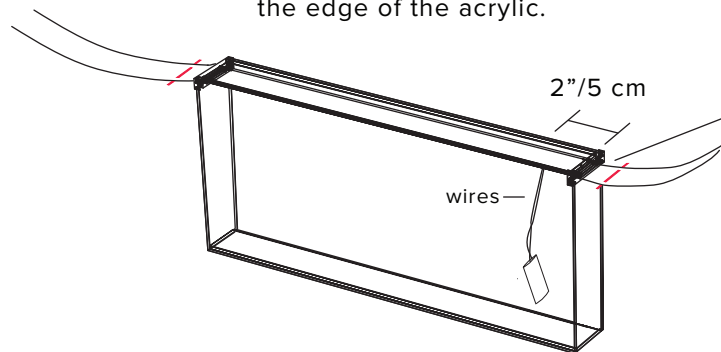
Place acrylic body on a flat, non abrasive surface. Undo twist ties and un-roll the ribbons.



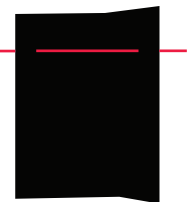
Pass both ribbons through the acrylic anchor system. Make sure there are no twists in the ribbon.



Pull ribbon until the acrylic shade is centered in between the two positioning threads. The wires should be approximately 2"/5cm from the edge of the acrylic.



**Positioning thread**



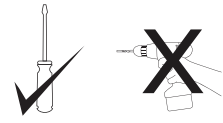
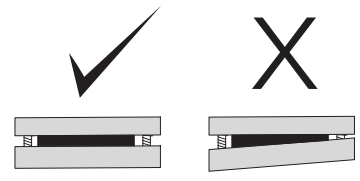
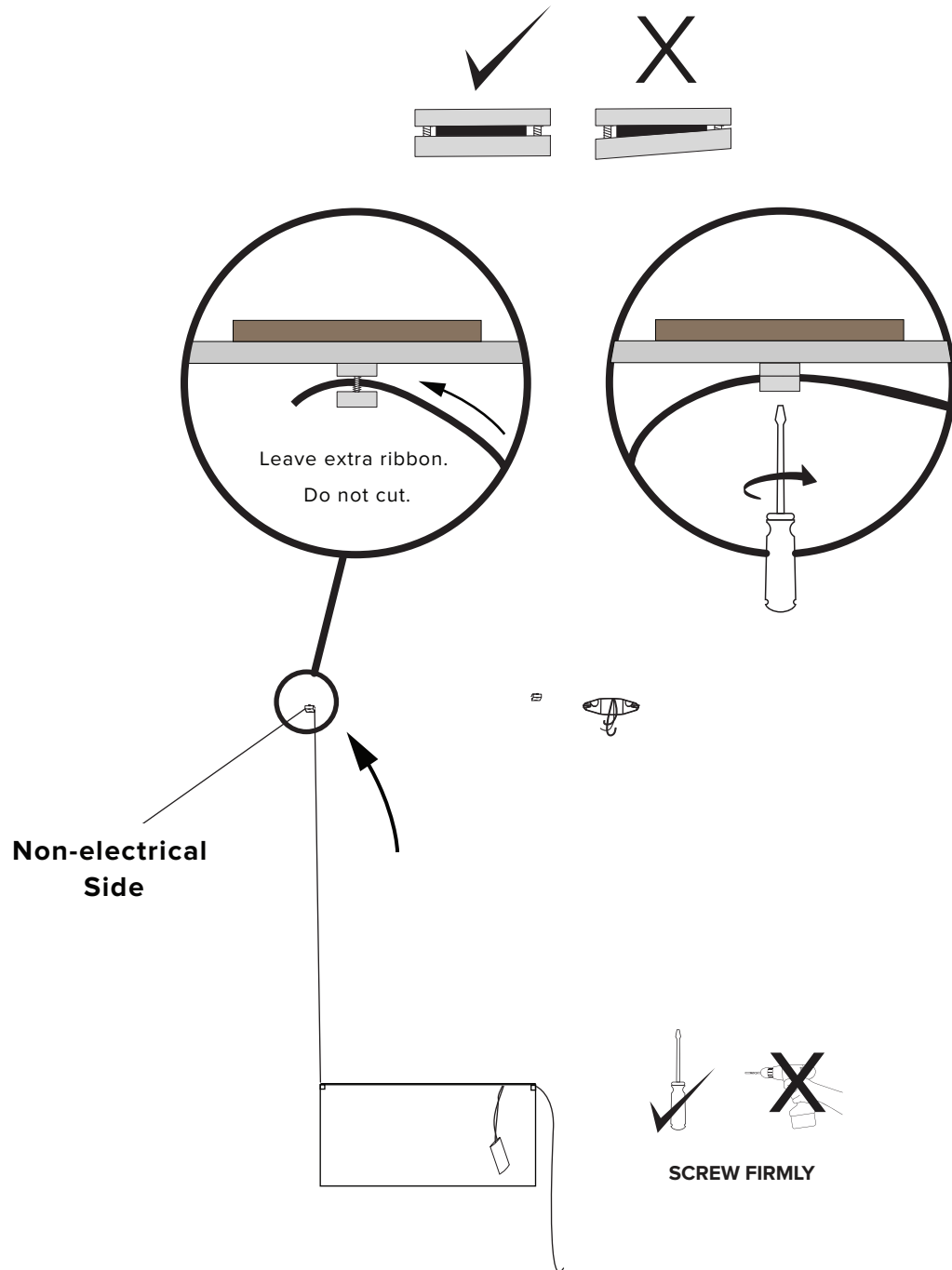
Do not remove positioning thread until the installation is complete.

# INSTALL THE LUMINAIRE

10

Pass the ribbon through each ceiling anchor. Make sure to leave enough ribbon for connection on the electrical side. Tighten ceiling anchors when desired length is achieved.

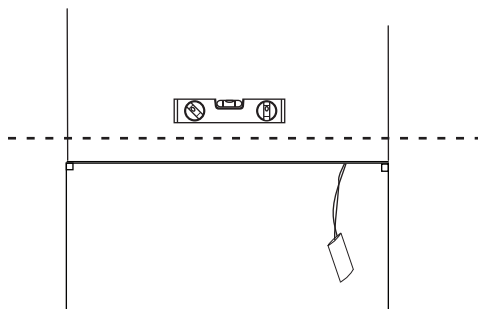
Make sure there are no twists in the ribbon.



11

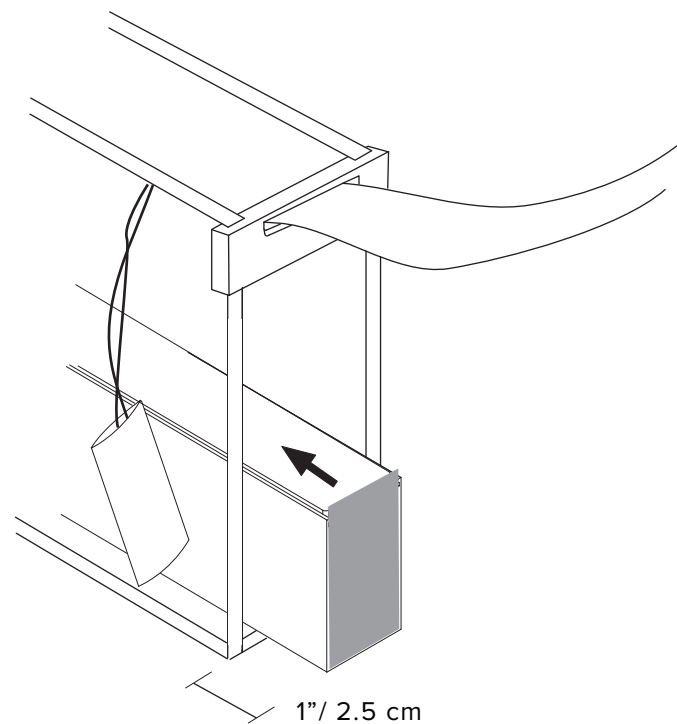
Ensure that the acrylic body is level and centered in between the positioning threads. If needed, adjust height. Then remove positioning threads from the ribbon.

Make sure to not scratch or damage your acrylic shade.



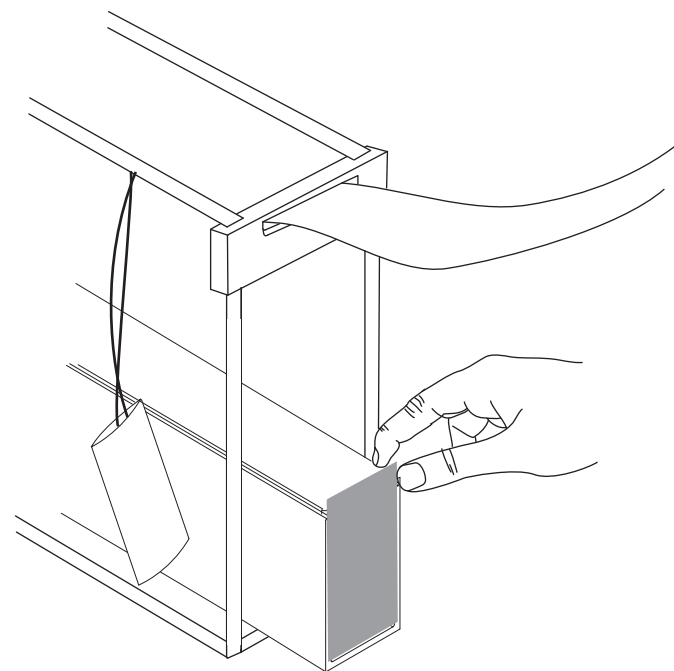
12

Insert light block into body and leave it sticking out 1" / 2.5 cm from the edge.



13

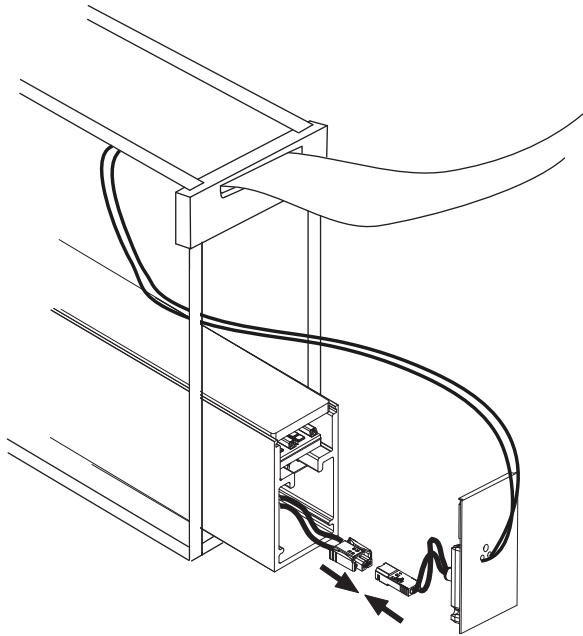
Remove protective tape.



14

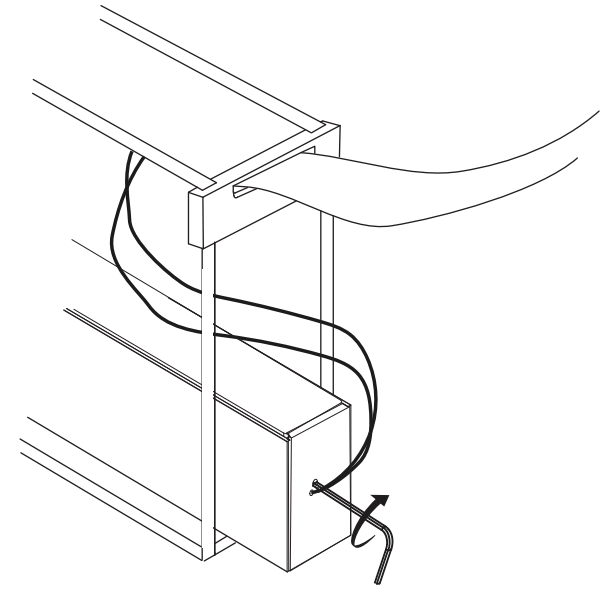
Remove end cap  
from foam pouch.

Make connection  
with quick connectors.



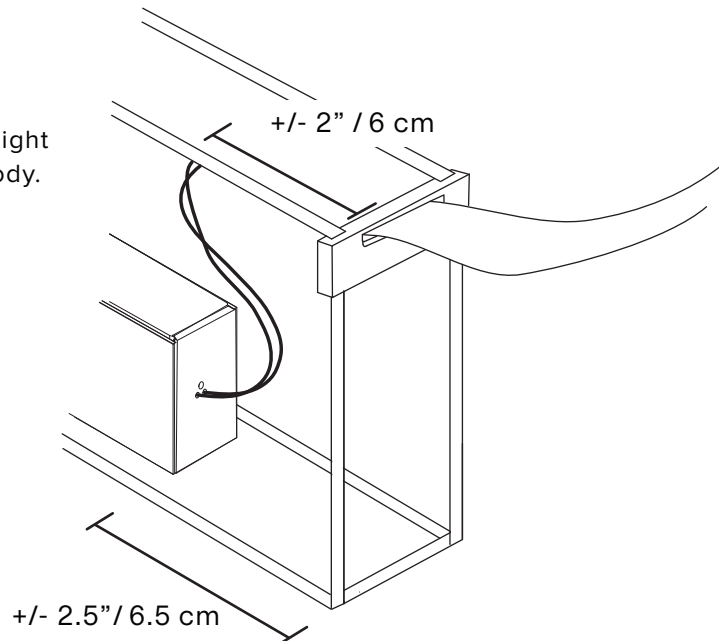
15

Carefully screw on  
the endcap.

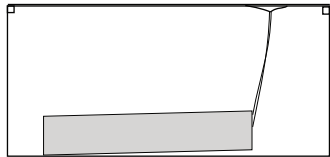
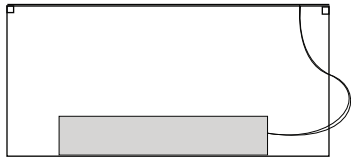
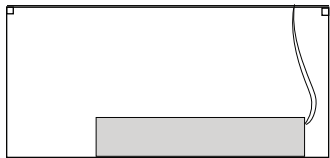


16

Carefully slide the light  
block inside the body.

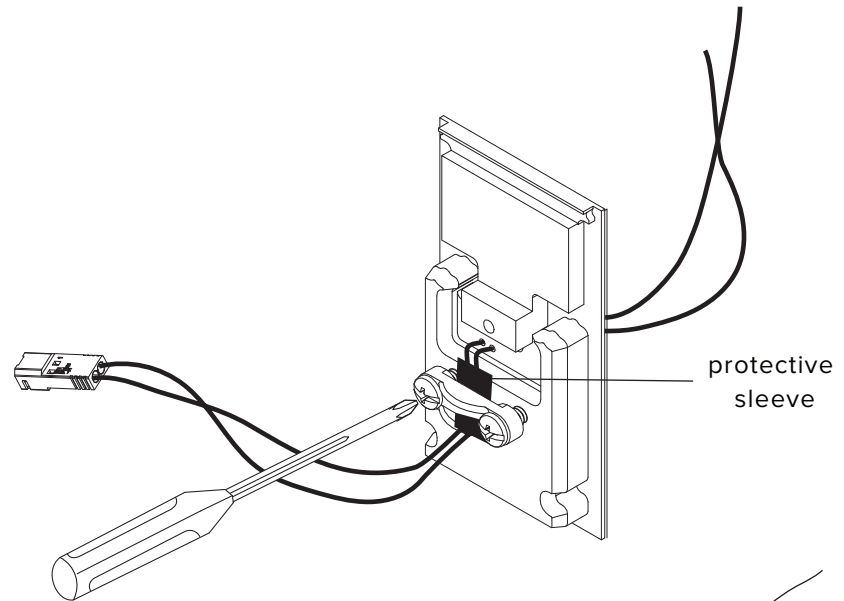


Make sure the wires do not stick out past the edge of the acrylic shade and that they sit properly.

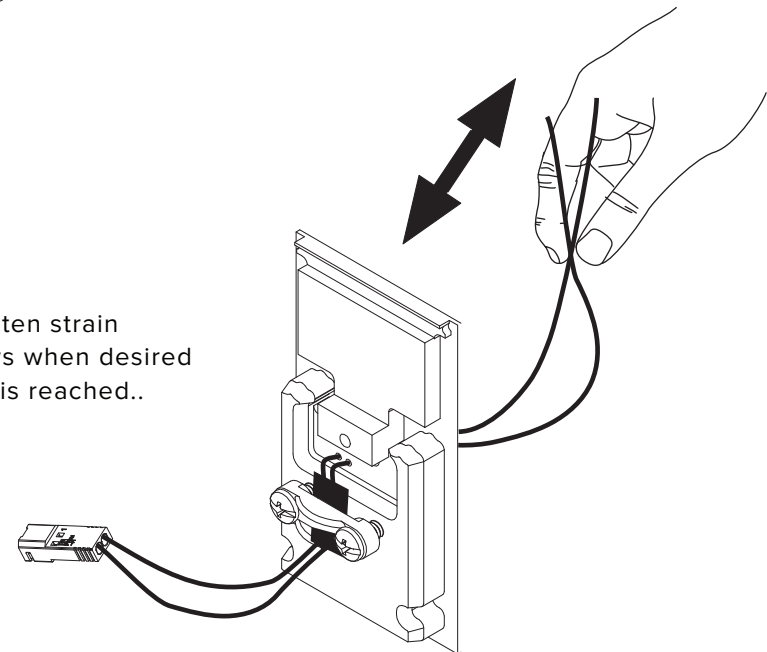


If your wires are too short or too long, unscrew end cap, loosen strain relief screws on, pull wires out further while making sure the protective sleeve stays under the strain relief.

### Pull out / push in extra wires

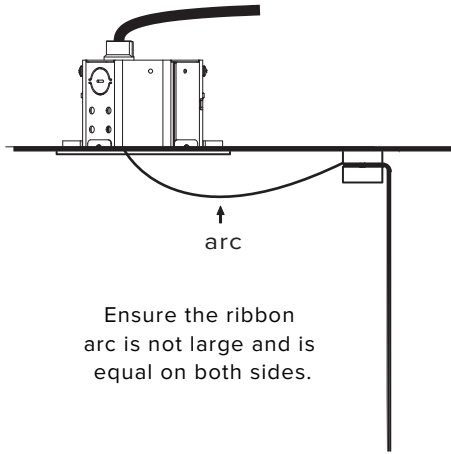


Retighten strain relief screws when desired length is reached..

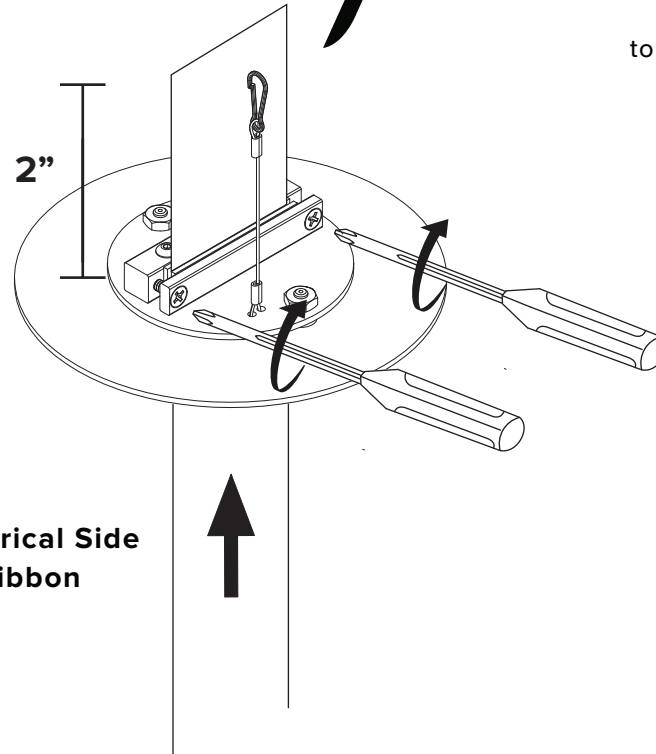


minimum 1-2" / 2.5-5cm

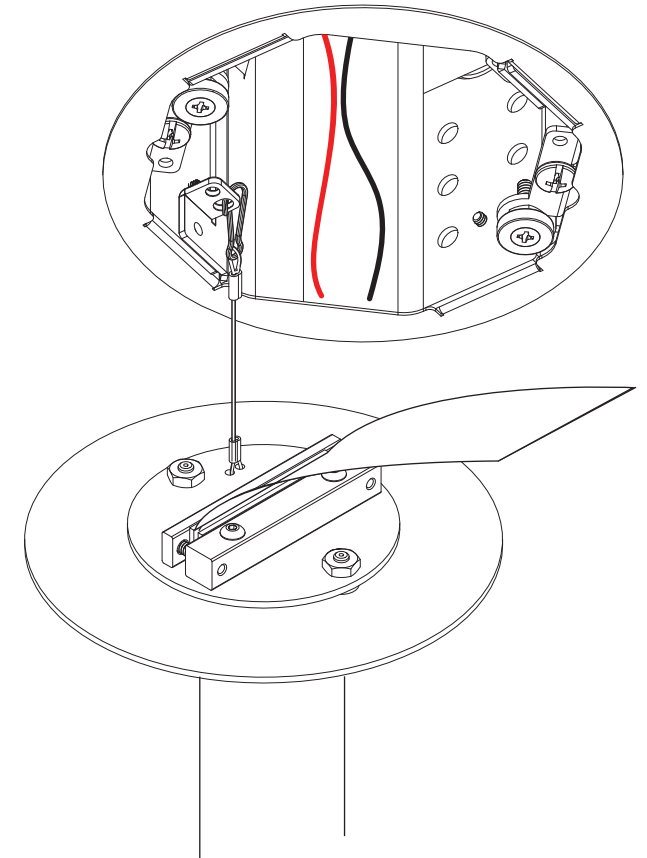
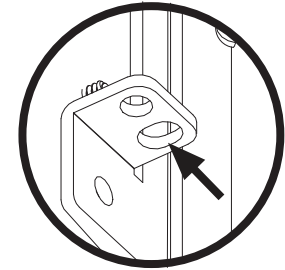
The following steps should be done as close to the ceiling as possible to provide the desired ribbon arc.

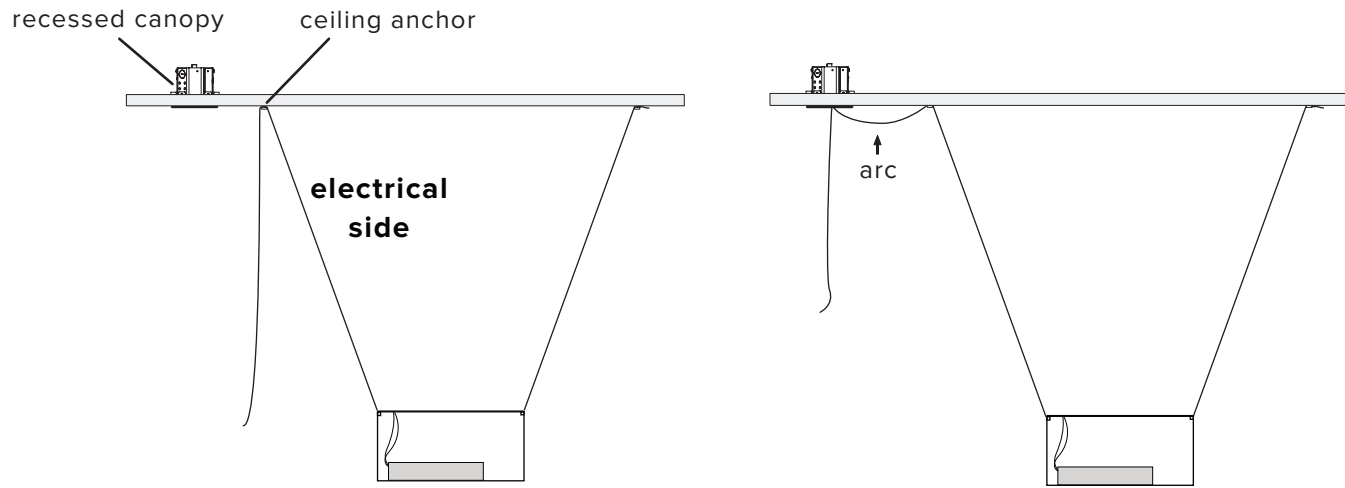


Ensure the ribbon arc is not large and is equal on both sides.

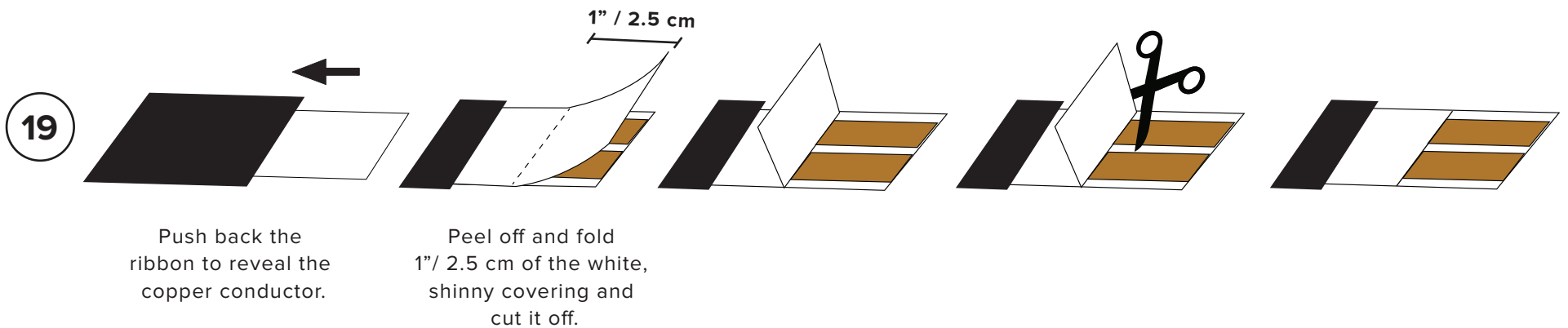


Clip canopy cover to octobox to secure it.





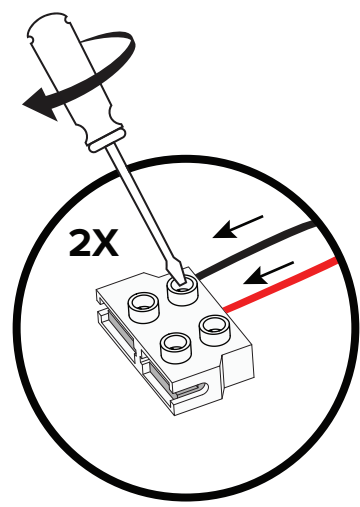
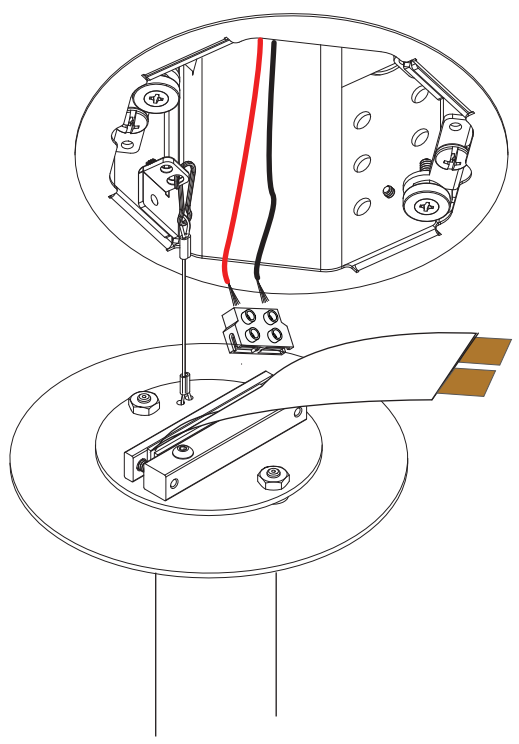
## UNSLEEVE CONDUCTORS



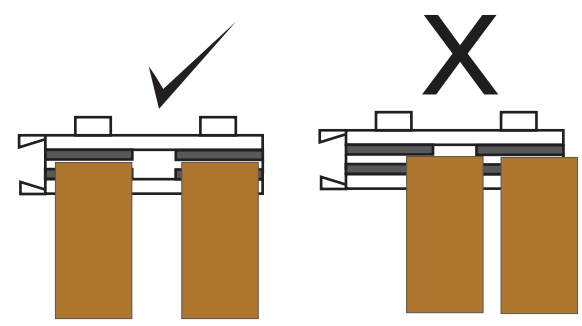
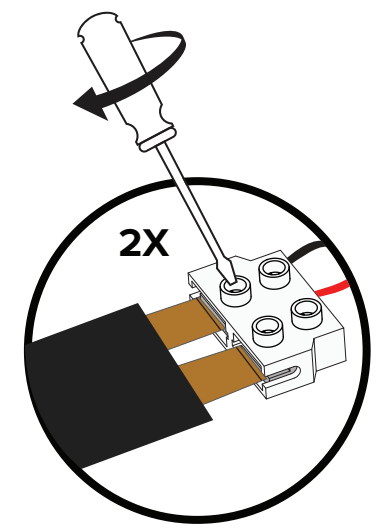
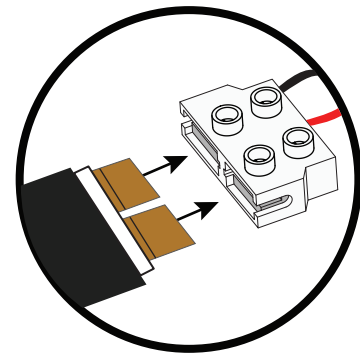


20

Attach connector to junction box, then connect ribbons to connector.

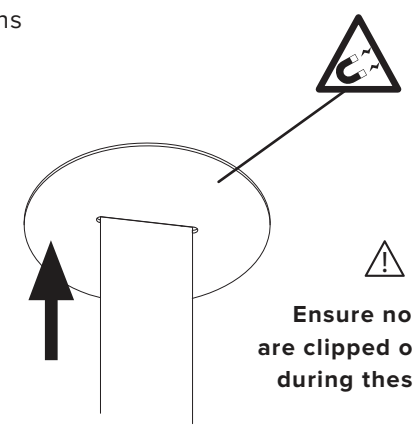


Both slots are the same and will receive either ribbon. (Polarity is not important)



Do not overlap ribbons in both connectors

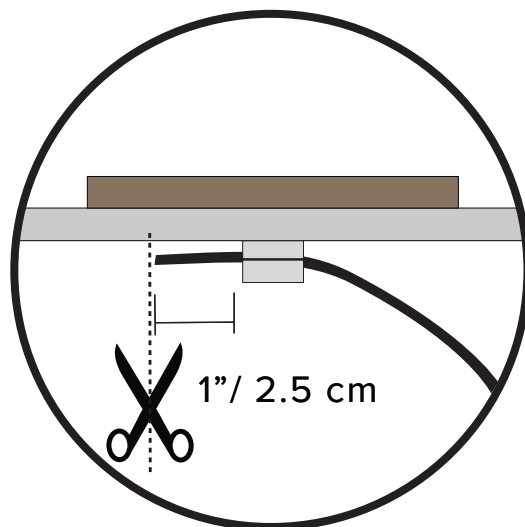
21



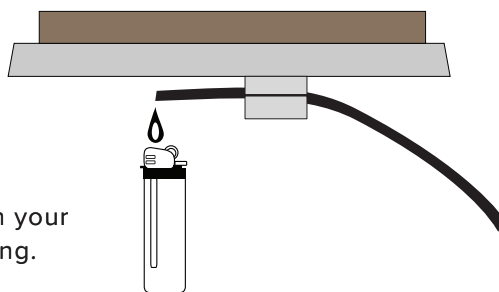
## FINAL VERIFICATION


22

When the luminaire is at the desired height and level, trim ribbon 1" / 2.5 cm after the anchor.

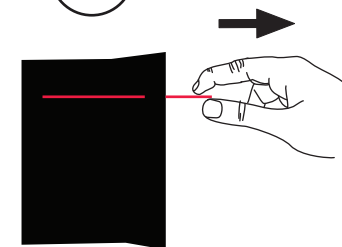


The extremity of the trimmed ribbon can be melted with the flame of a lighter for a few seconds to prevent fraying.



 Be careful not to burn your fingers or the ceiling.

23



Pull out positioning thread

24

Use a feather duster or microfiber cloth to remove dust.

To clean finger prints, smudges or dirt on the acrylic, gently and very carefully clean the inside and outside of the shade using water and a microfiber cloth, then a dry microfiber cloth.

Do not use abrasive products or contaminated cloth as it could result in scratches on the surface!

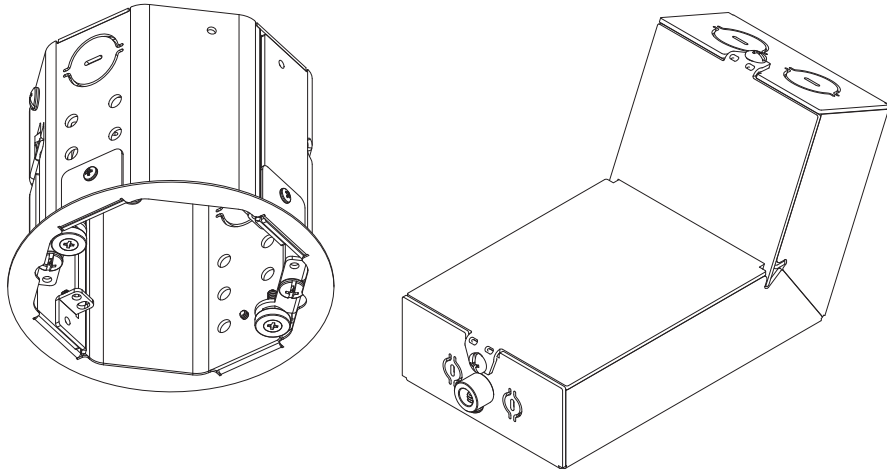



**AVOID LIQUIDS  
ON THE RIBBON, WIRES  
AND LIGHT BLOCK**

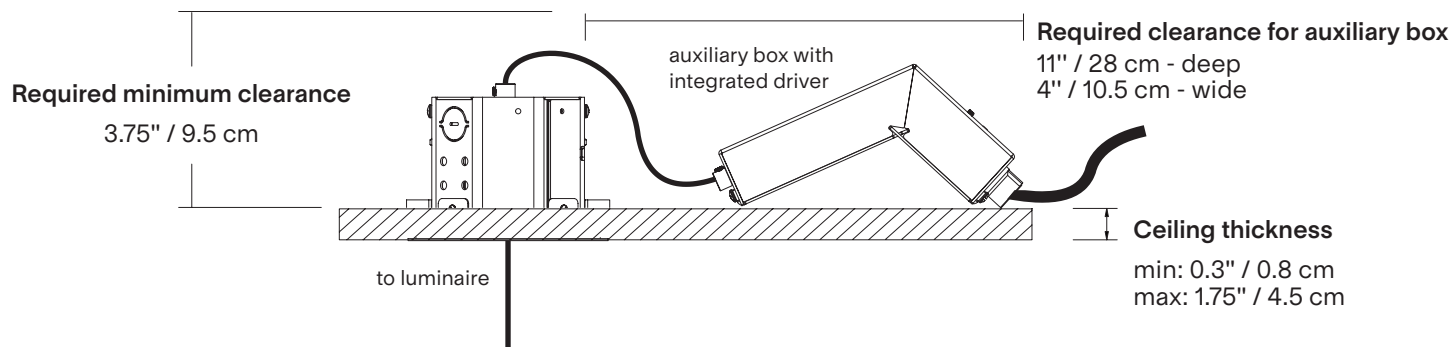


## RECESSED CANOPY ANNEX A

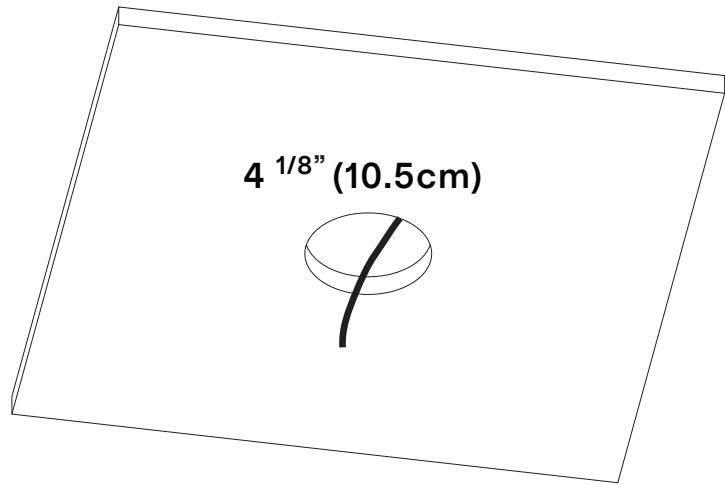
### Octobox with auxiliary box (phase and 0+10V dimming) Plenum installation



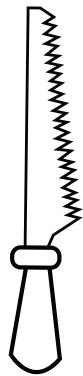
- 
- Please read entire manual before beginning installation
  - To be installed by an electrician
  - Use appropriate screws where necessary
  - For non-insulated hollow ceiling
  - Wires for plenum not provided



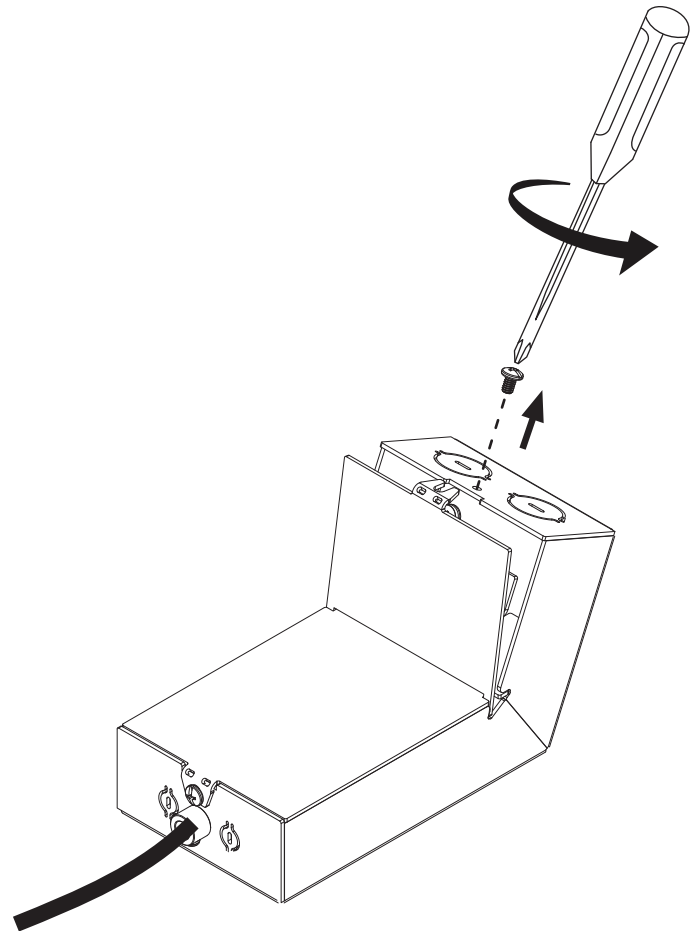
1



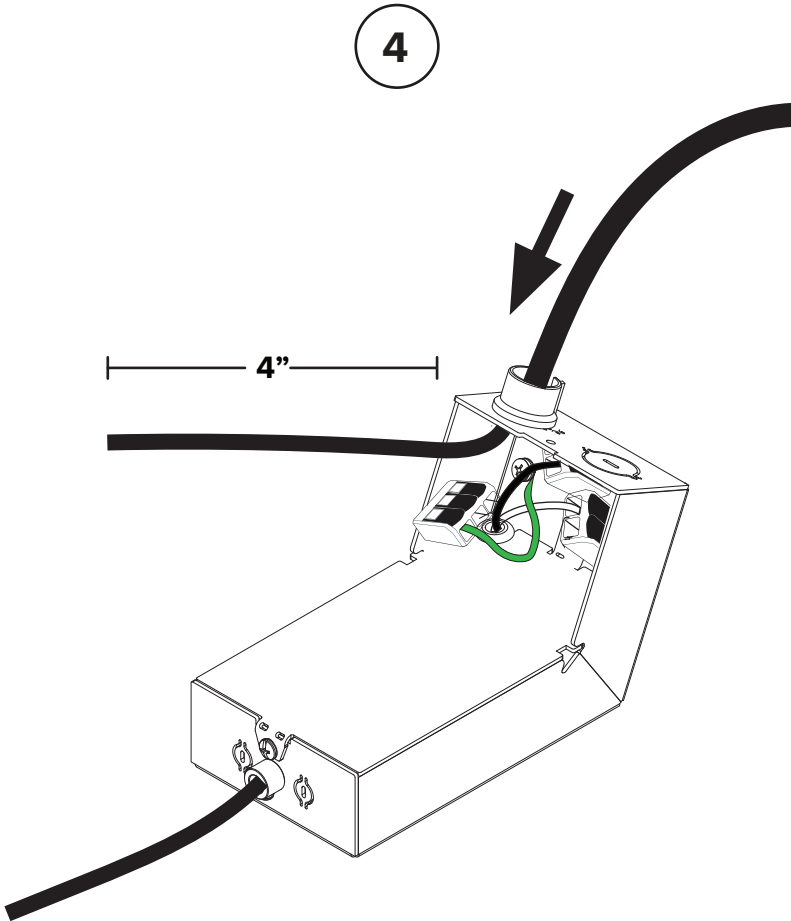
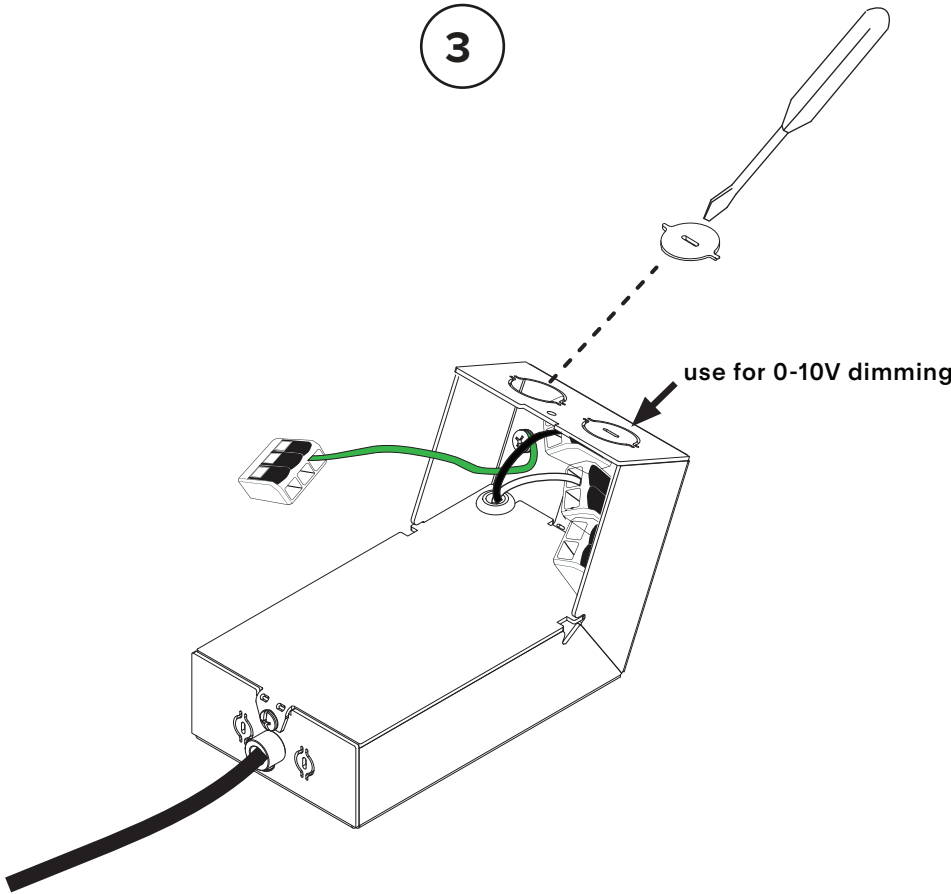
or

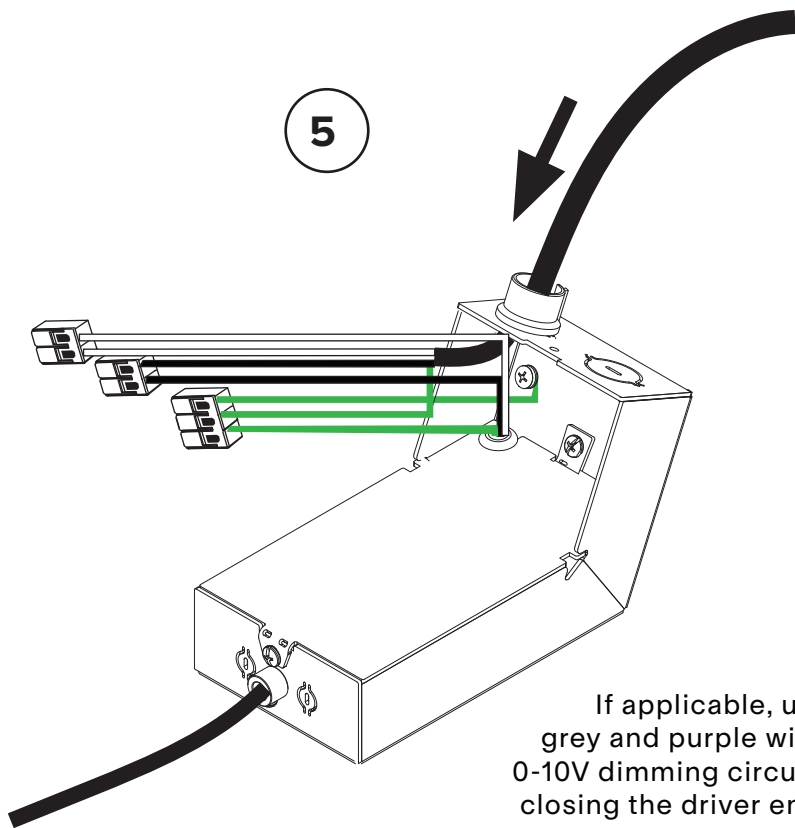


2

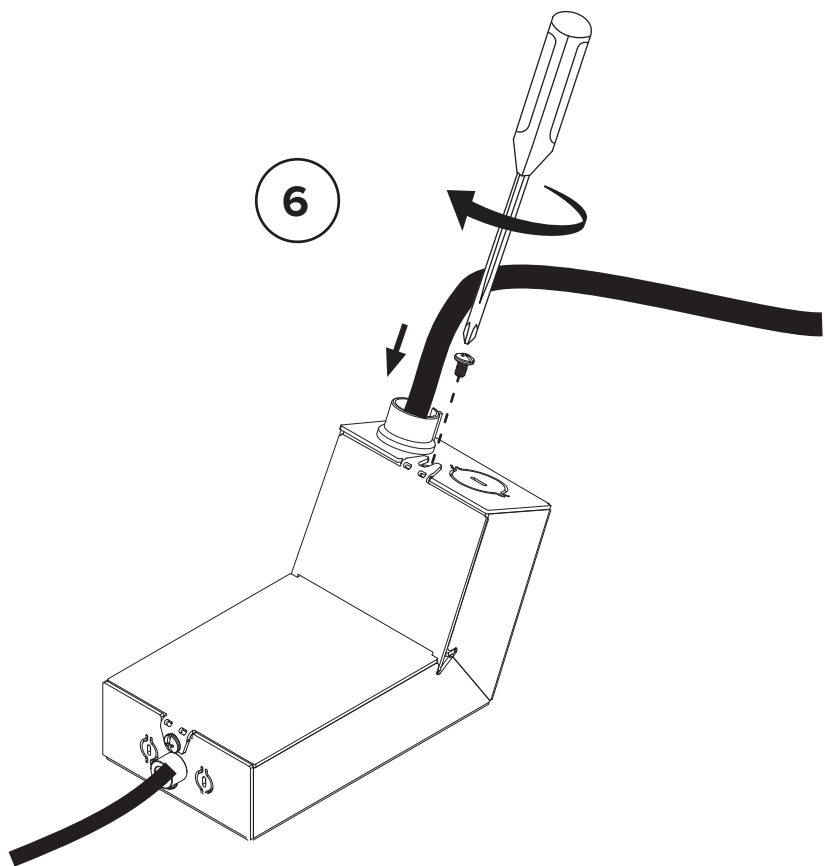


# PHASE DIMMING REPRESENTATION





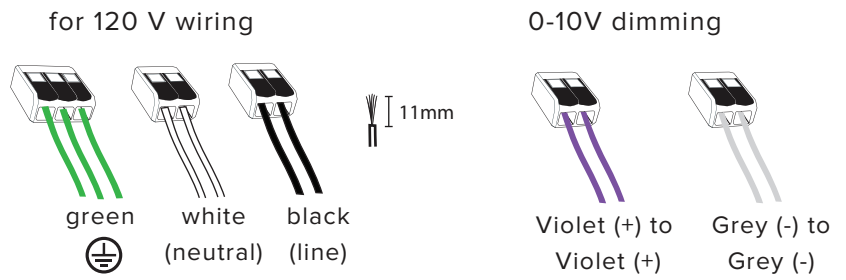
5



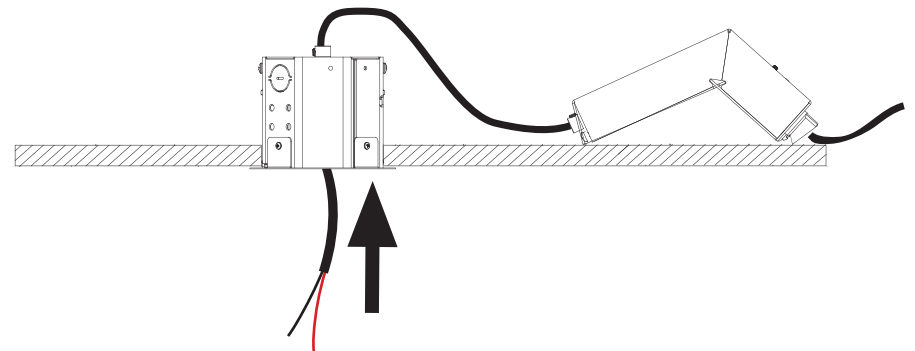
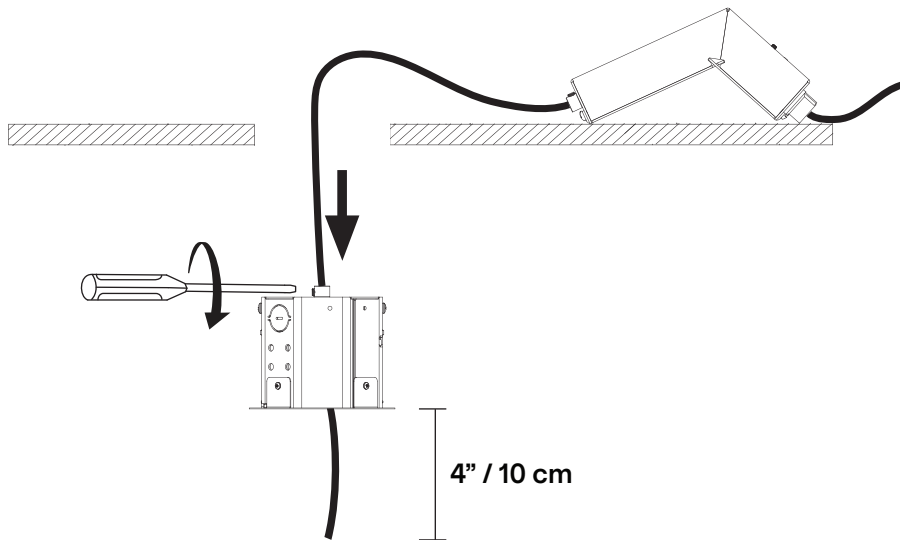
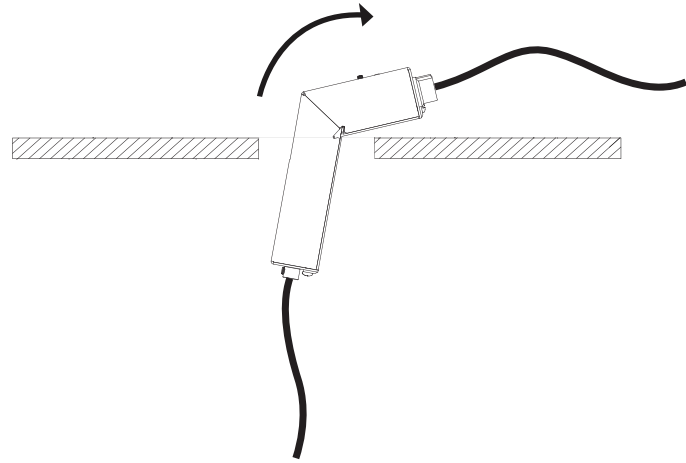
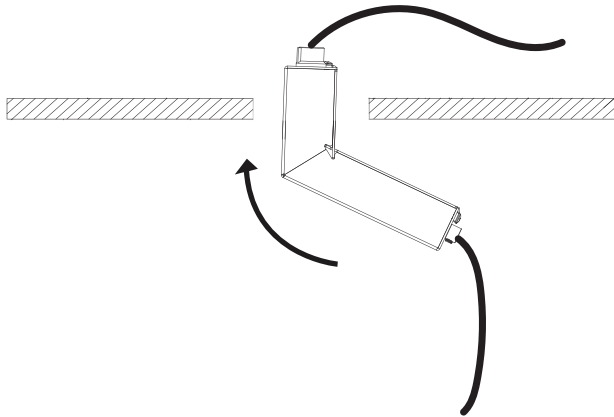
6

If applicable, use grey and purple wires for 0-10V dimming circuit before closing the driver enclosure.

Cap wires individually if not used.

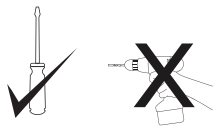
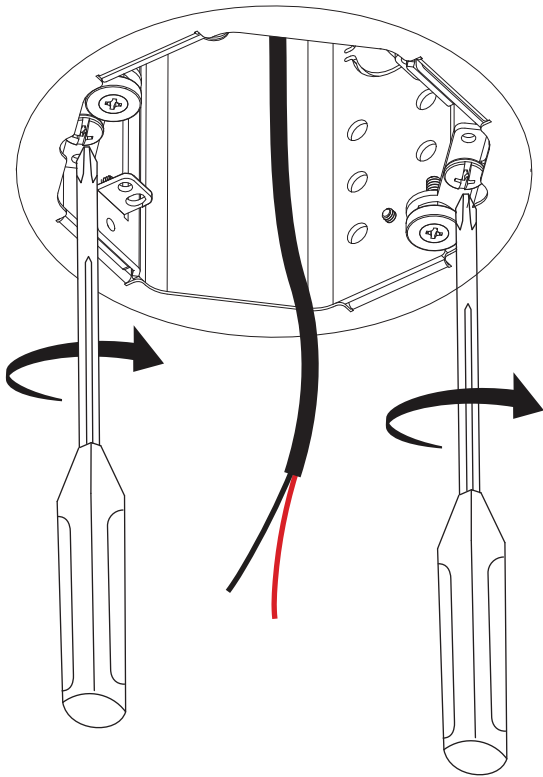


7



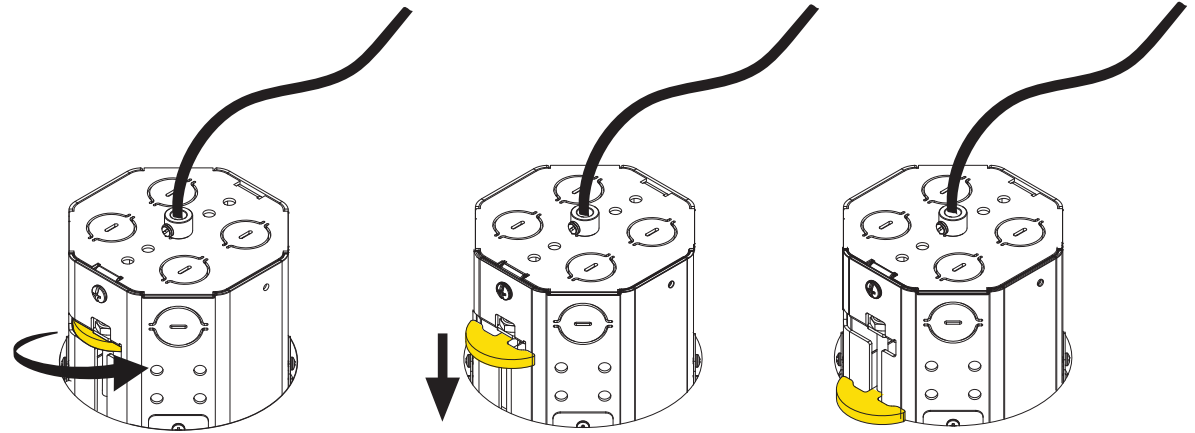
8

View from below

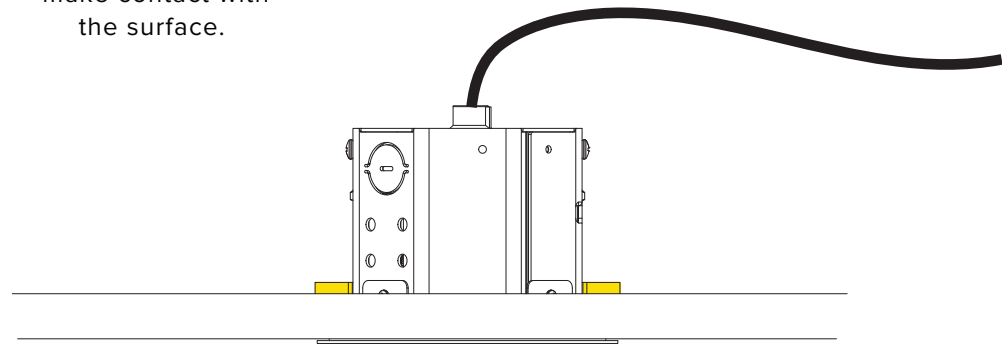


9

View from above



Stop when arms  
make contact with  
the surface.

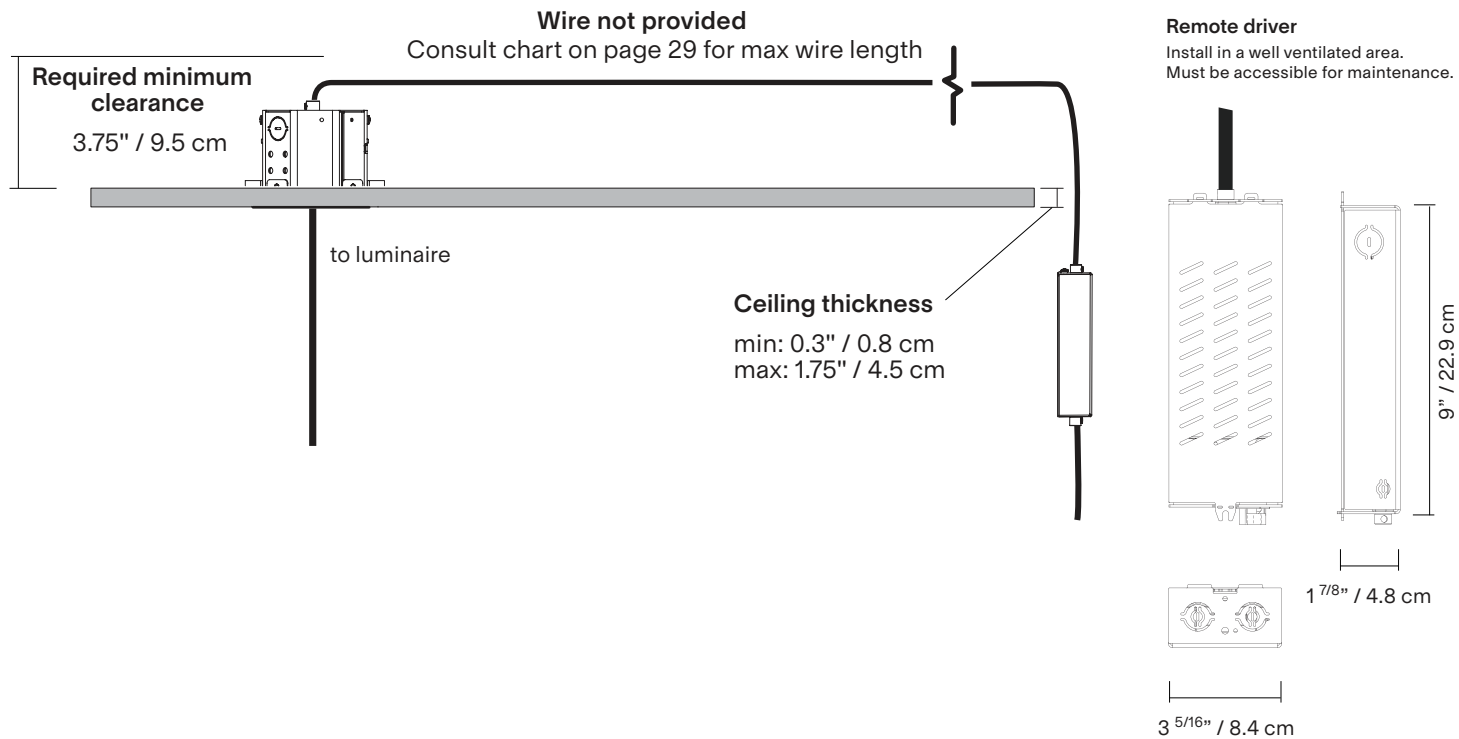
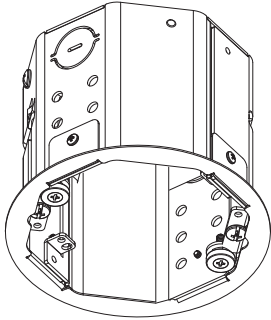


The recessed canopy is now  
installed, return to luminaire installation  
steps and follow the instructions (page 3).



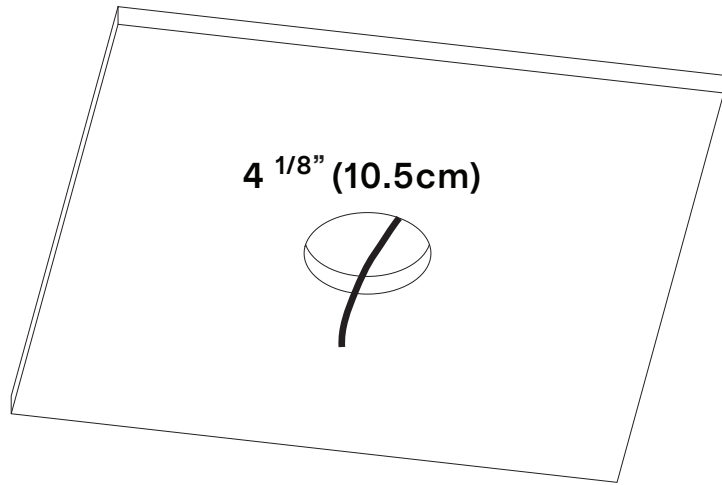
# RECESSED CANOPY ANNEX B

Octobox with remote driver  
(phase and 0-10V dimming)  
Remote installation



- Please read entire manual before beginning installation
- To be installed by an electrician
- Use appropriate screws where necessary
- For non-insulated hollow ceiling
- Wires for plenum not provided

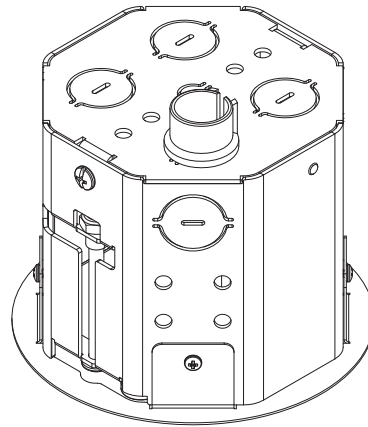
1



or

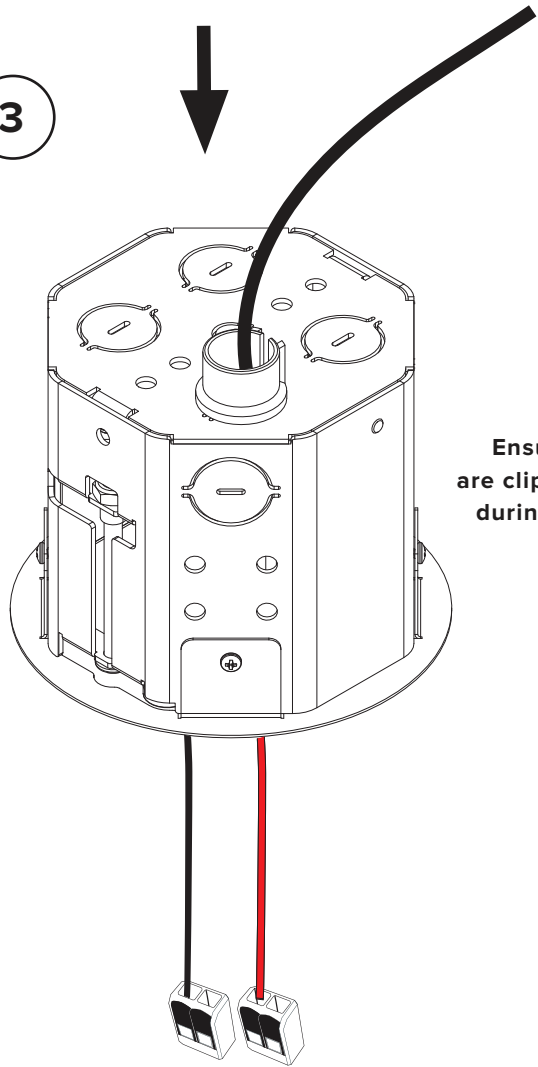


2



Install suitable connectors for your installation (not included)

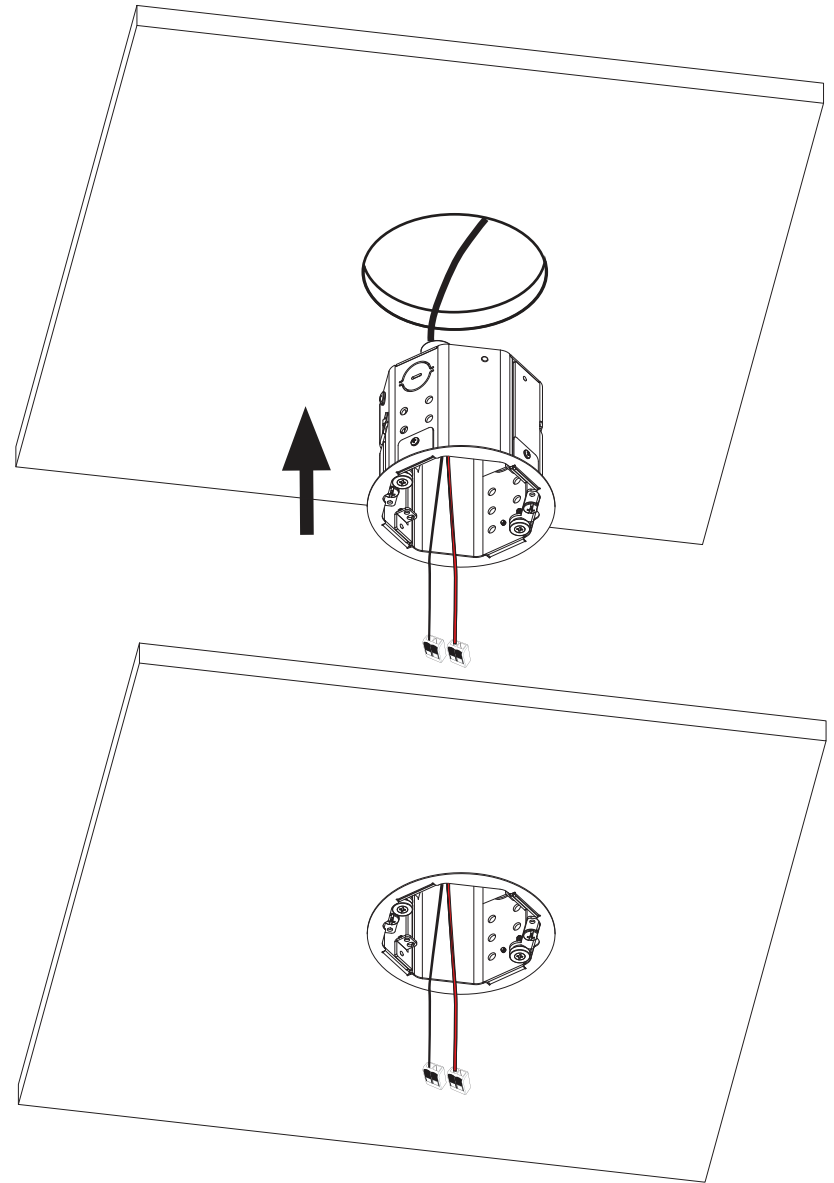
3



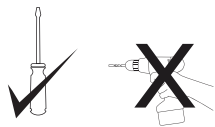
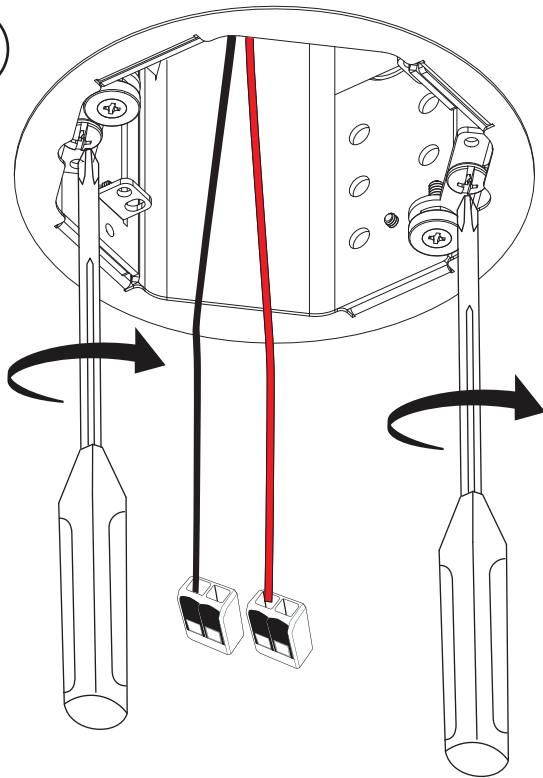
⚠  
Ensure no wires  
are clipped or pinched  
during these steps.

4

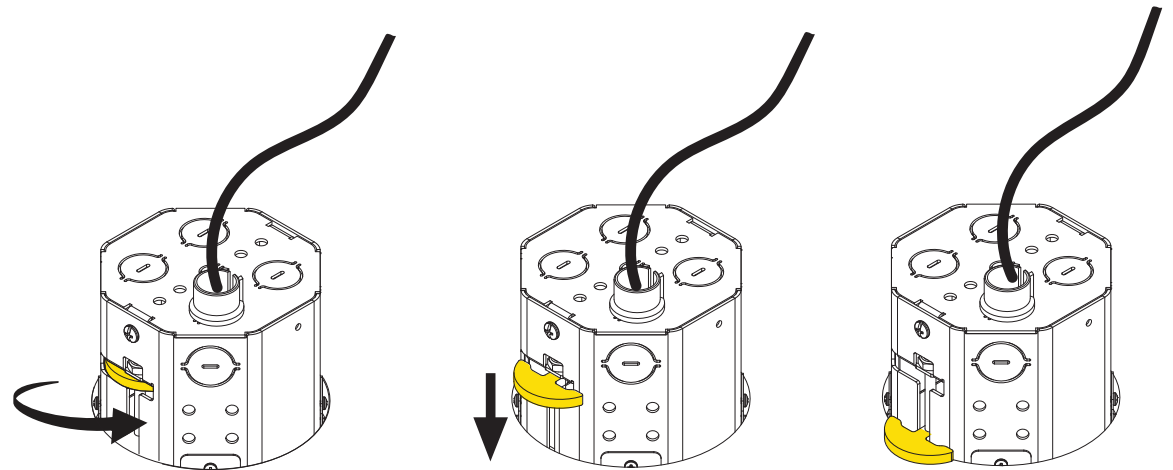
View from below



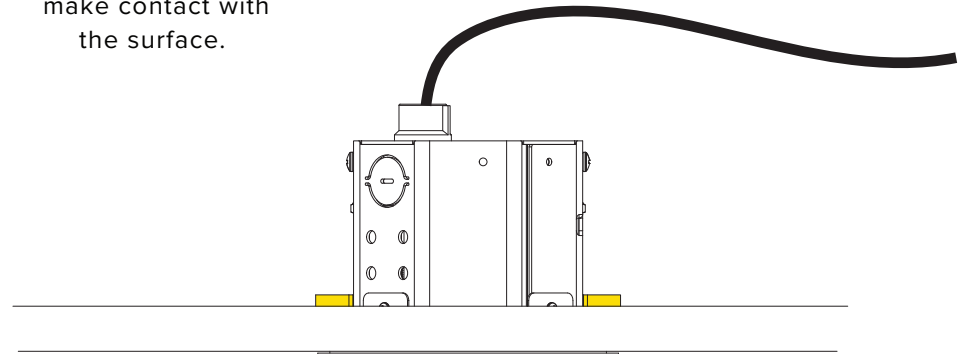
5



View from above



Stop when arms  
make contact with  
the surface.

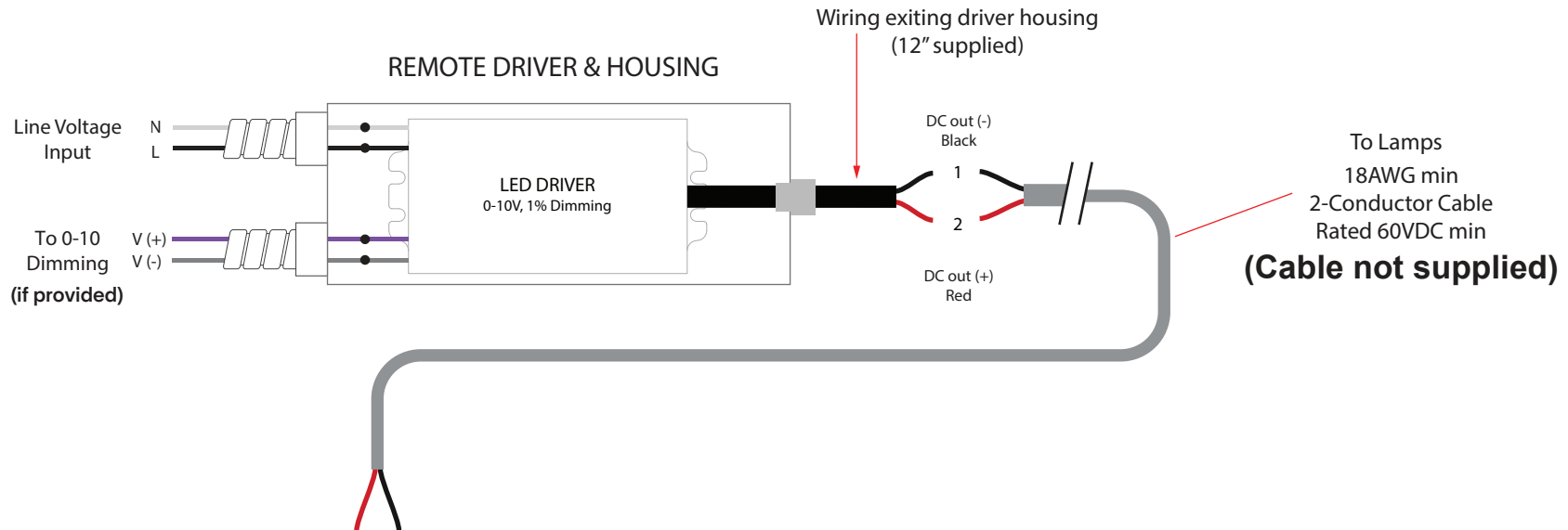
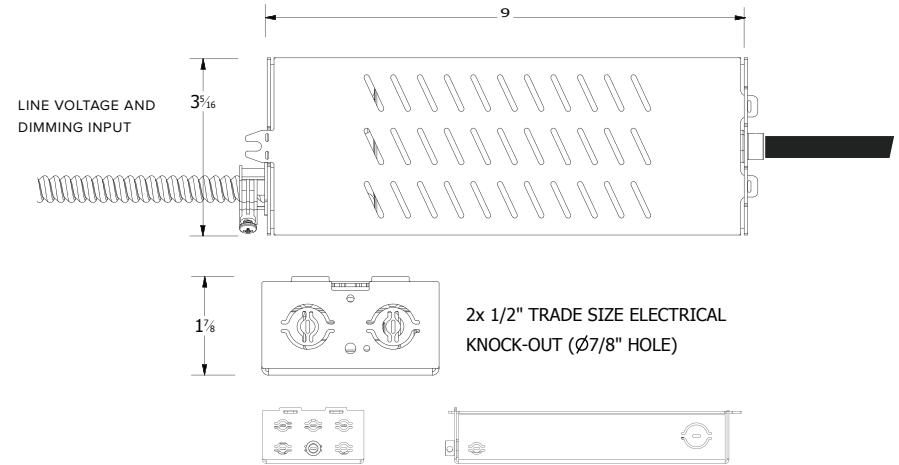


## REMOTE DRIVER HOUSING

- Must be accessible for maintenance in a well aerated location for heat dissipation

Remote Wire Gauge and Length Allowance Maximum distance between suspended structure internal wiring and remote driver housing

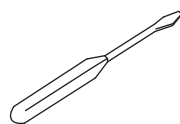
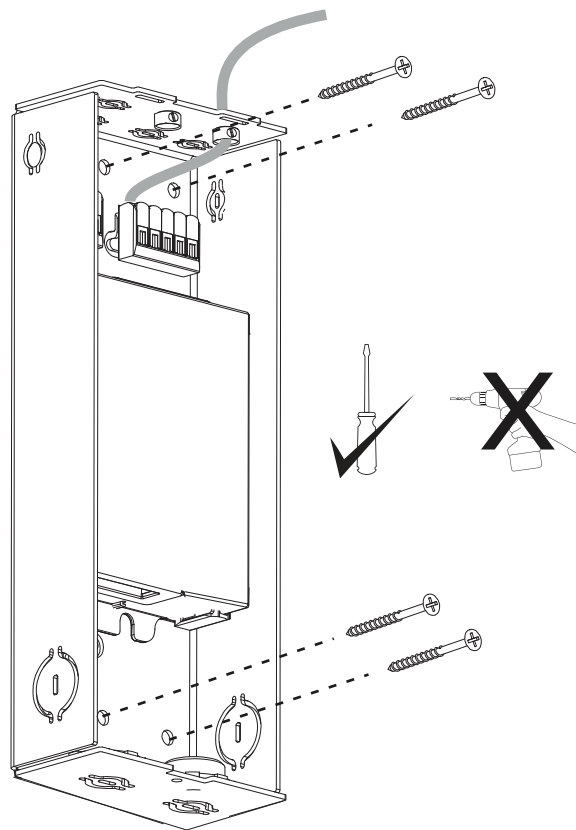
Wire gauge	Max Distance
18AWG	64.6 ft / 19.7m
16AWG	102.7 ft / 31.3m
14AWG	163.3 ft / 49.8m
12AWG	259.7 ft / 79.1m



6

Remove cover and mount driver housing to wall.

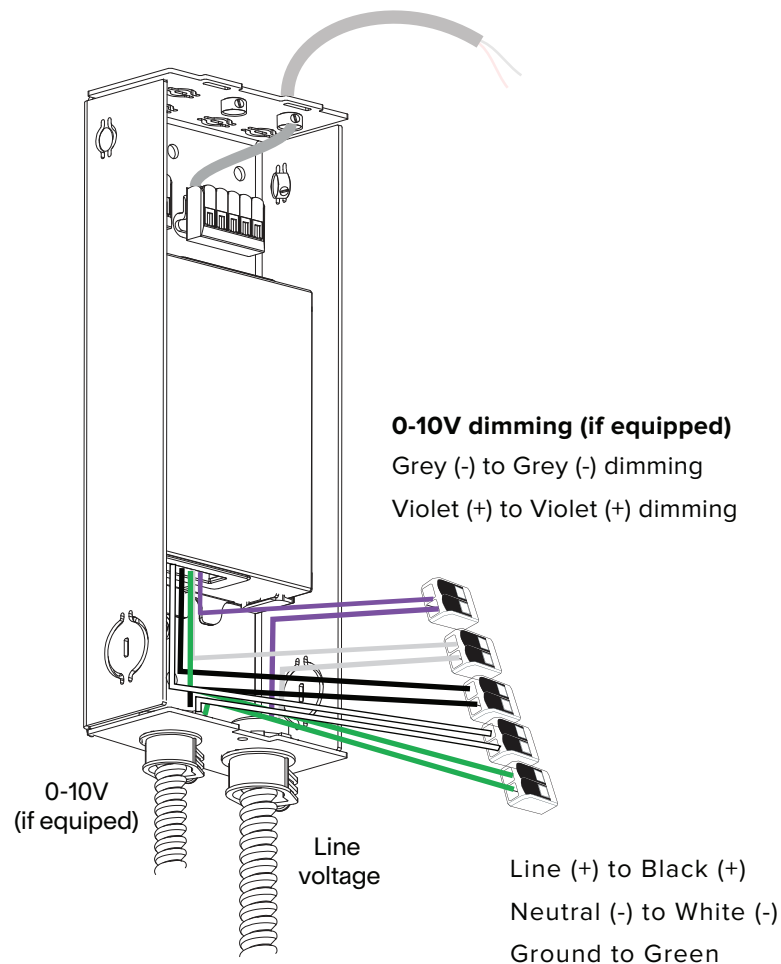
Screws not provided.



Use a screwdriver to knock out tab, then secure cables (not supplied)

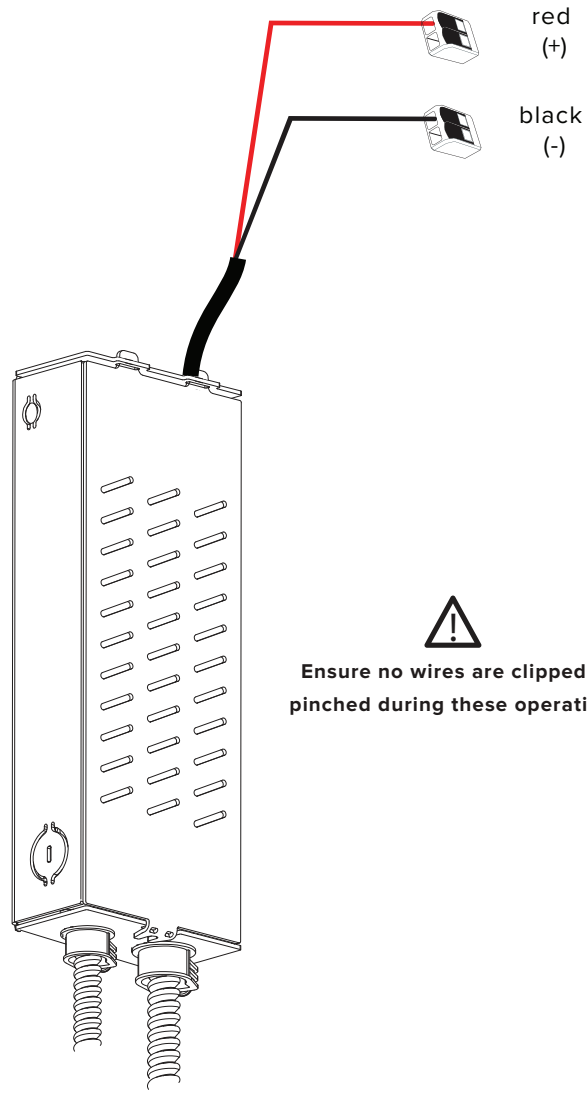
7

Make Line Voltage and dimming connections to driver wiring.



8

Close driver housing and make low voltage connections.



9

The recessed canopy is now installed, return to luminaire installation steps and follow the instructions (page 3).