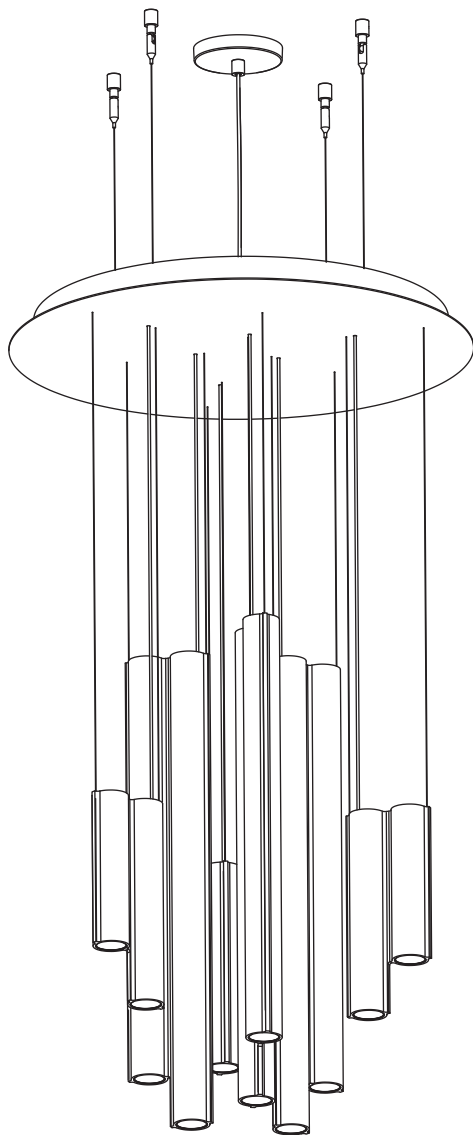


SILO ATELIER 03 - SUSPENDED MOUNTING



- Please read entire manual before beginning installation
- To be installed by an electrician to an electrical box
- Use appropriate screws where necessary
- Wear enclosed gloves when handling lamp
- Handle materials with care. Please consult lamp maintenance sheet on our web site



**Never turn on power supply
until installation is completed**

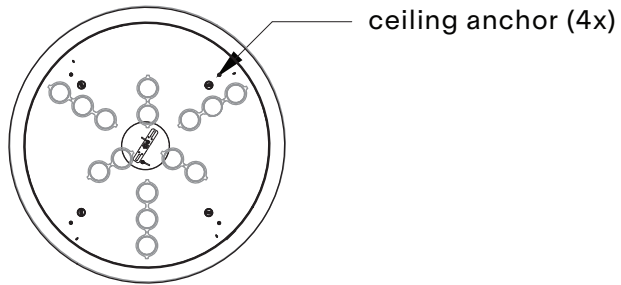


**Keep luminaires wrapped
until the end of the installation**

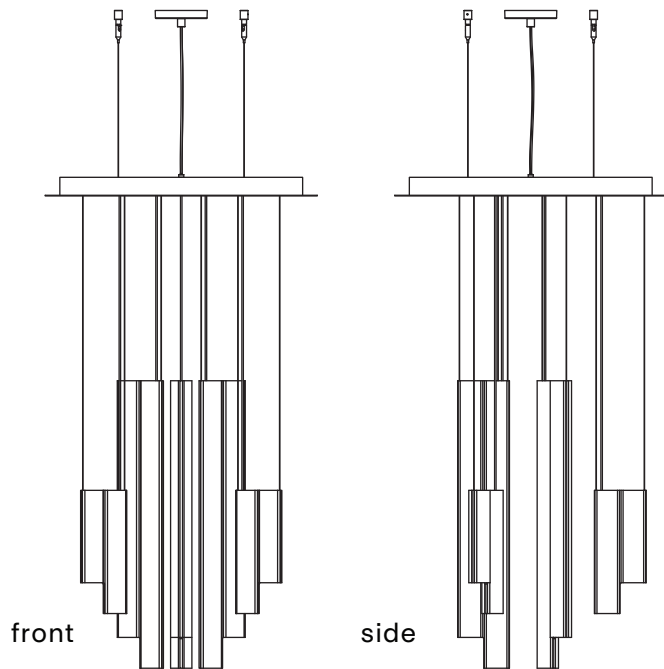
1

Chose the orientation of the fixture

Make sure you have the desired orientation before proceeding.
The luminaire is not symetric.



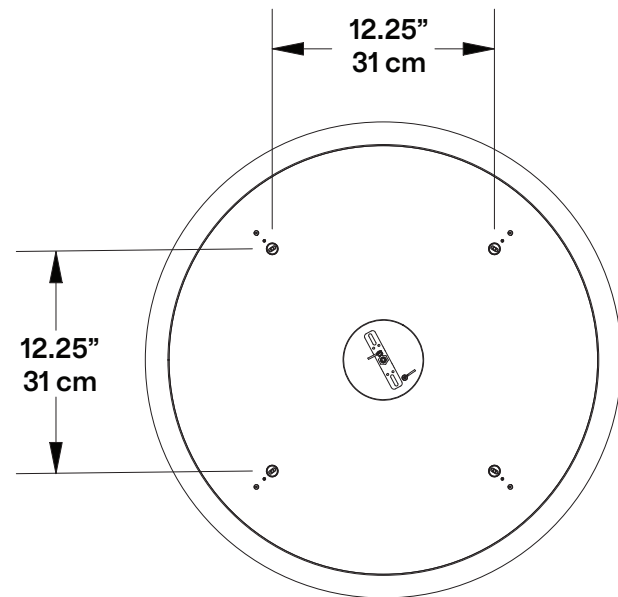
top view



2

Ceiling mounting points

Mark mounting locations using electrical box and canopy as a guide.



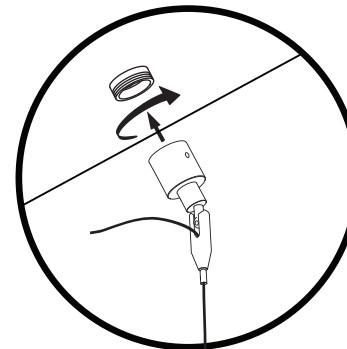
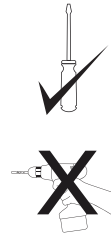
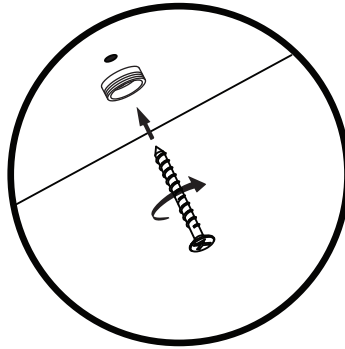
3

Install ceiling anchors then screw the gripper onto it.

USE APPROPRIATE ANCHORS



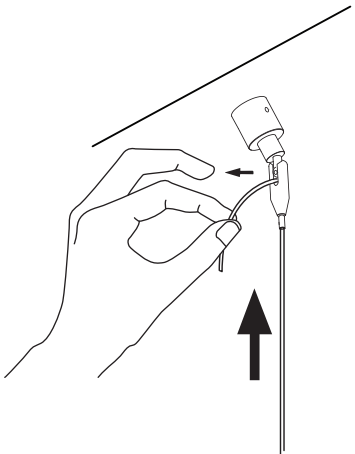
Only for ceilings slanted at **45°** or less



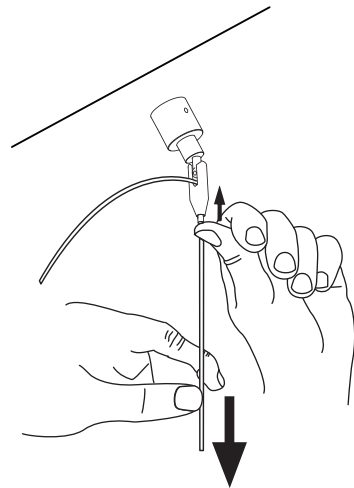
4

To raise your luminaire pull on cable.

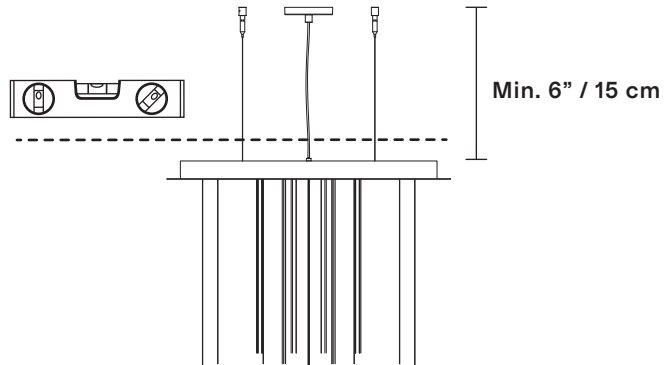
To lower luminaire push up on plunger while holding the cable, then pull downwards.



UP

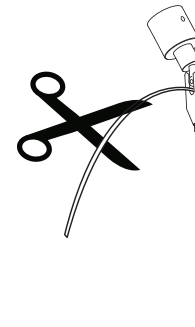


DOWN

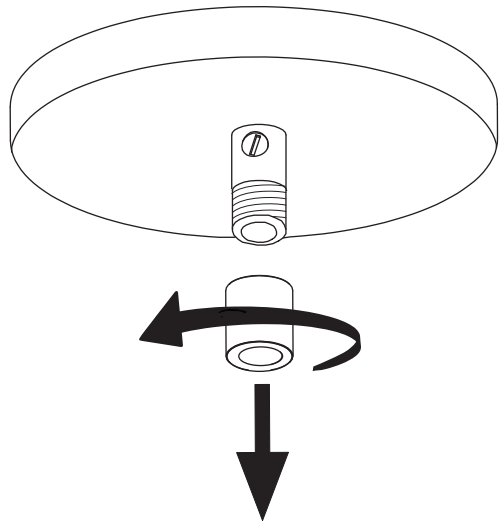


5

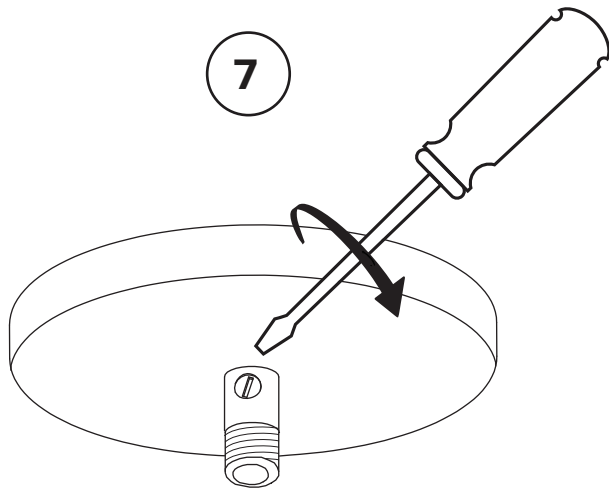
Trim excess cable only after final height and level are reached.



6

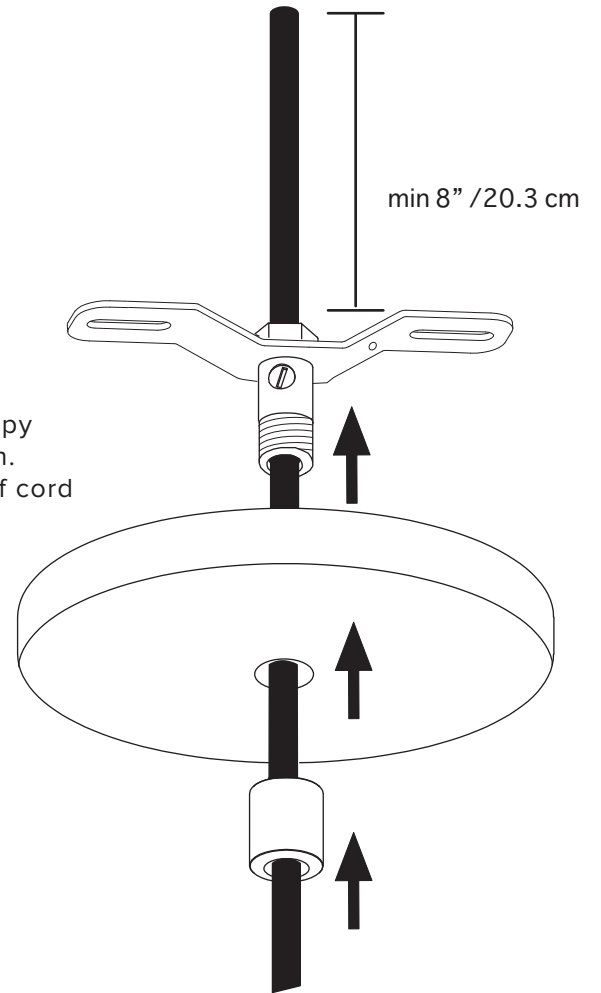


7



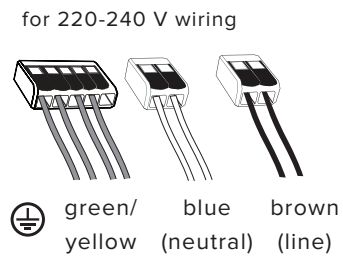
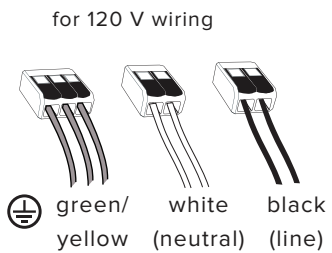
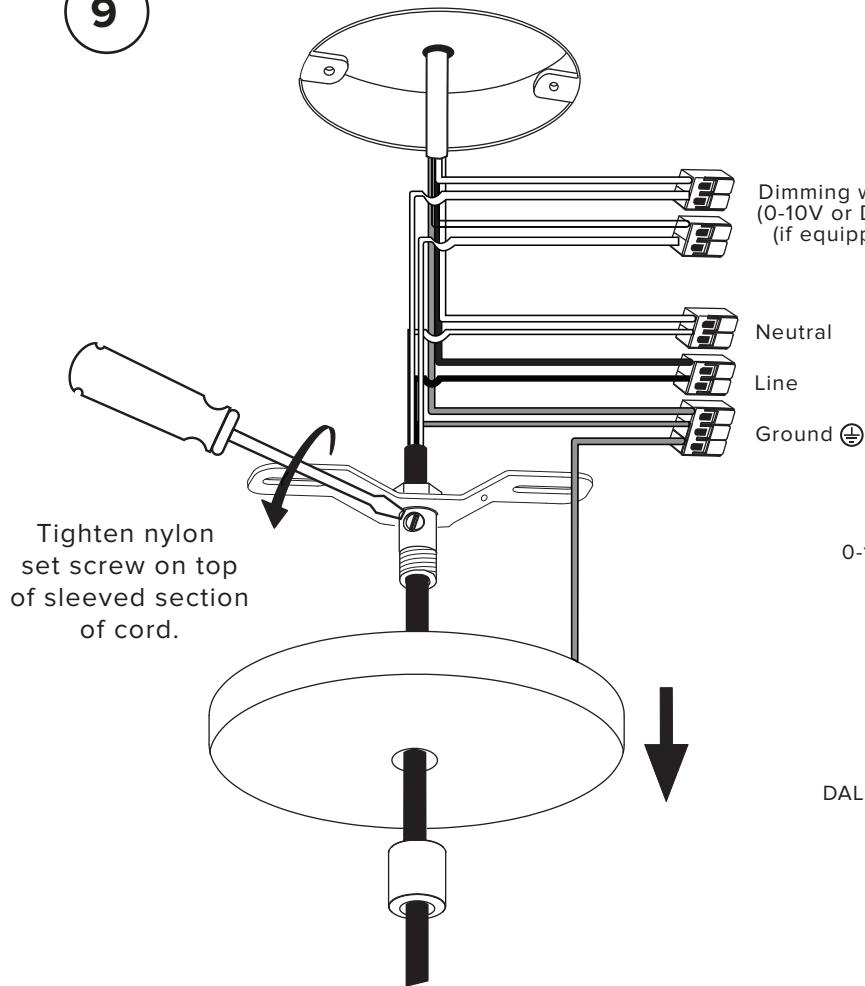
8

Feed cord through the offset canopy then adjust cord length. Leave at least 8" / 20 cm of cord after the bracket.

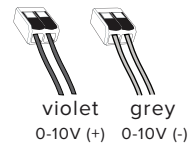


MAKE CONNECTIONS

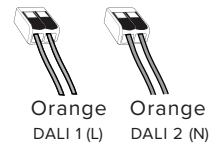
9



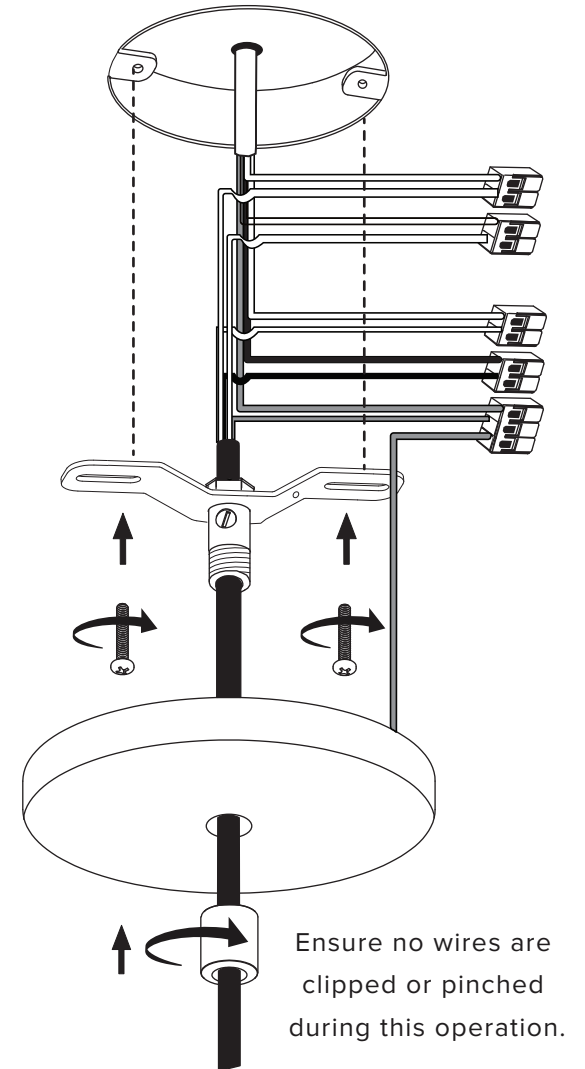
0-10V Dimming (120V) (if equipped)



DALI Dimming (220-240V) (If equipped)

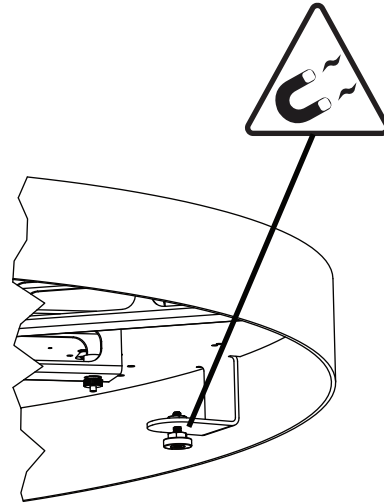
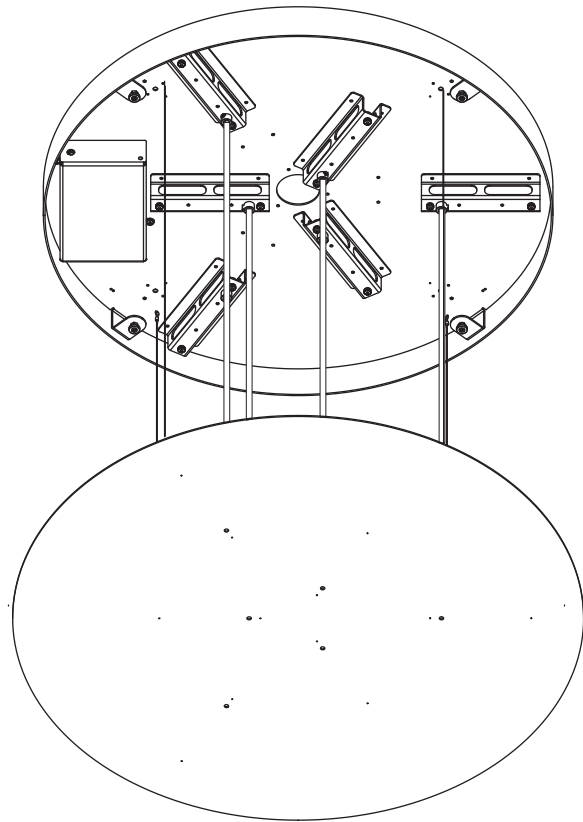


10



11

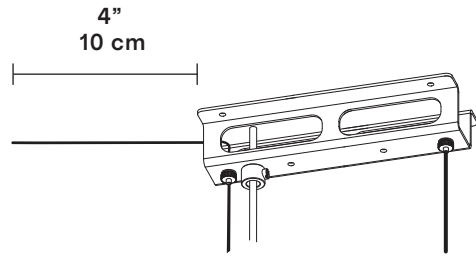
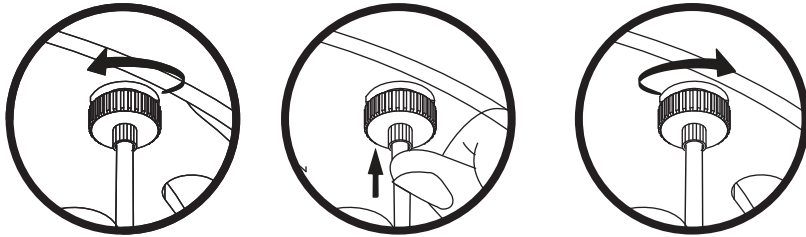
Open canopy cover by untying wires.
It is held in place by magnets and
suspended by stainless steel cables
in order to facilitate assembly.



INSTALL LUMINAIRES

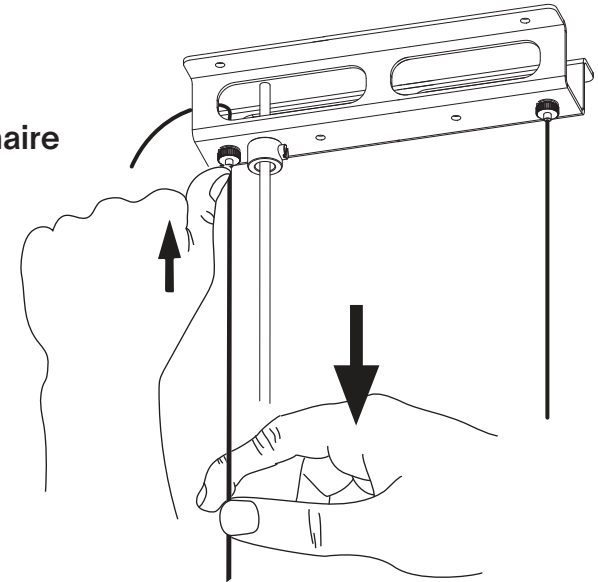
12

Losen lock, pass wire, make adjustments and retighten lock to secure cable.

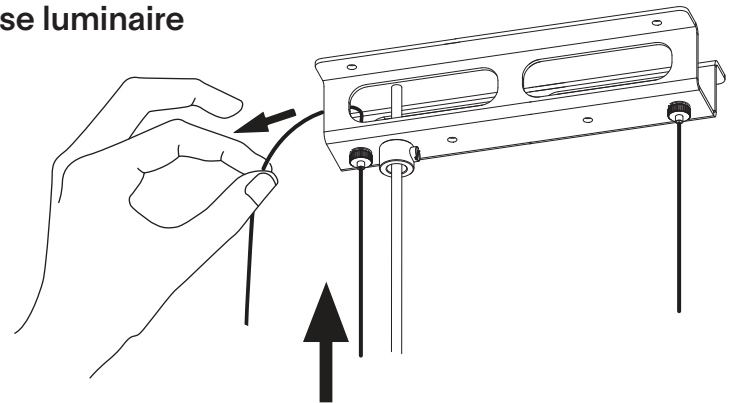


Leave at least 4" after the gripper

to lower luminaire



to raise luminaire

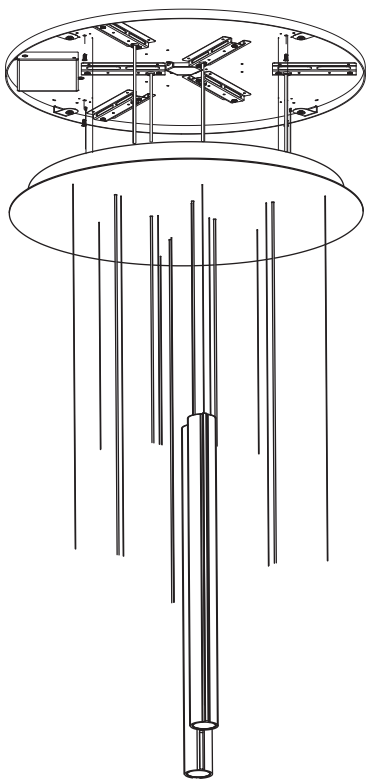


13

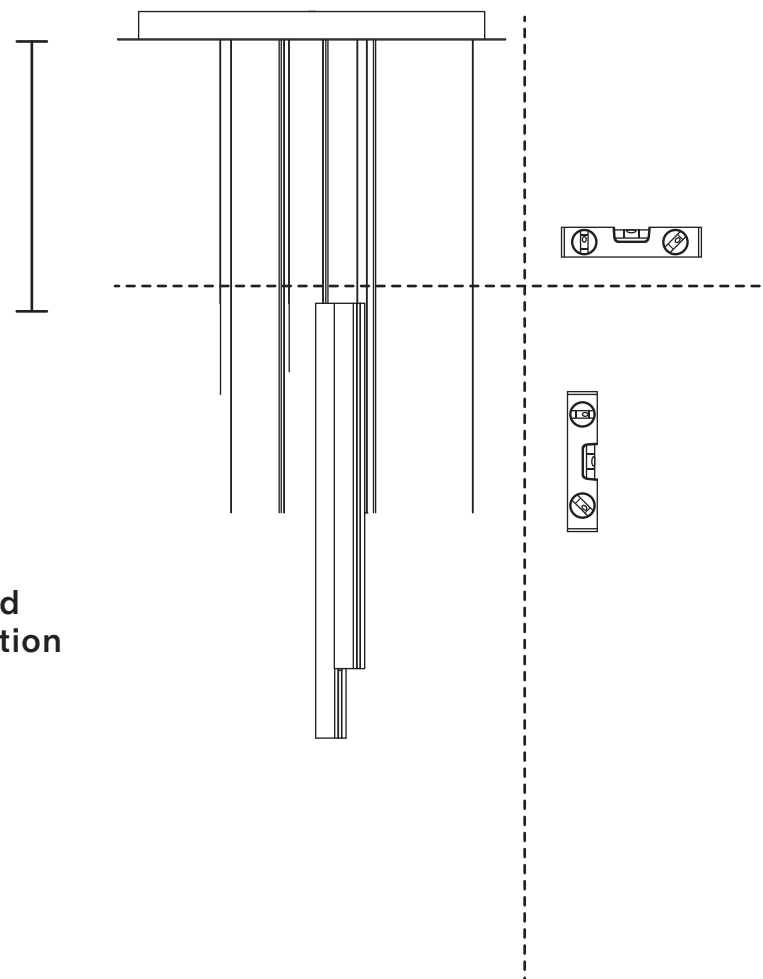
Make sure the first luminaire is level and adjusted at the right height before installing the others.

The other luminaires will be adjusted in relation to the first one. Use height guide on the following page to achieve the correct height and configuration.

Repeat these steps for the remaining luminaires working your way outwards from the center of the canopy.

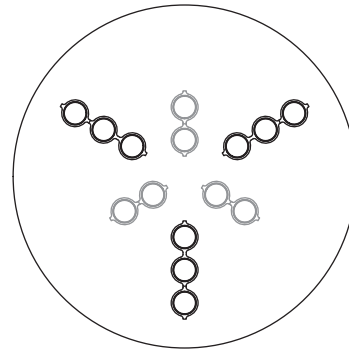
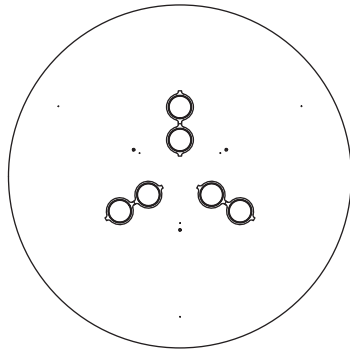
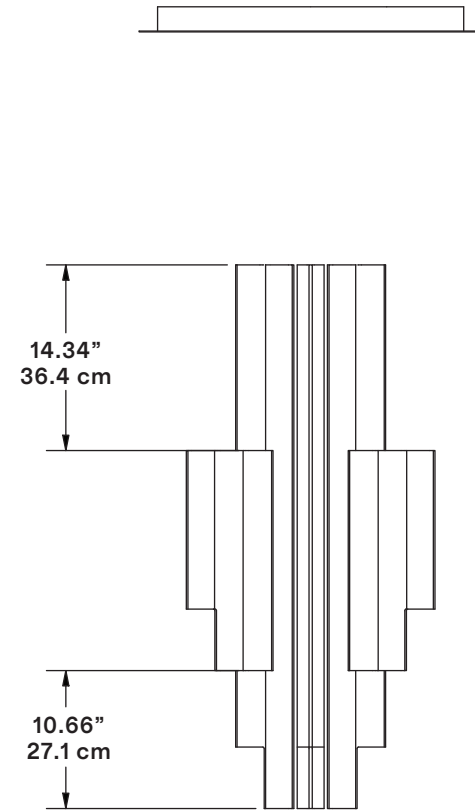
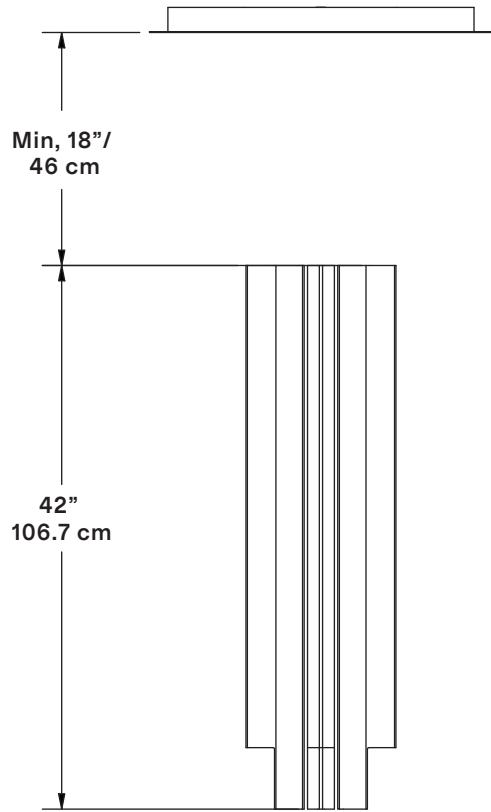


18" minimum



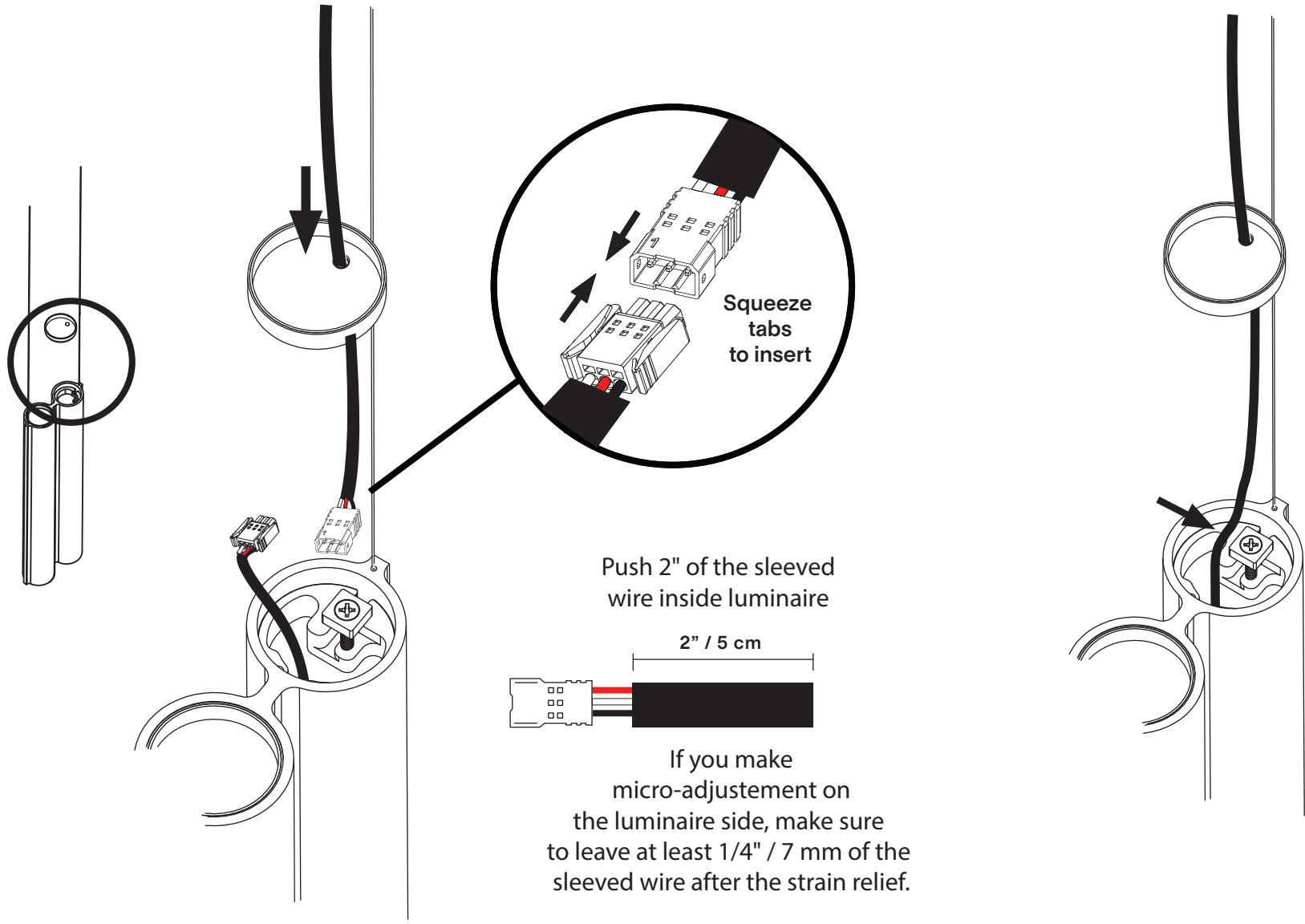
Keep luminaires wrapped until the end of the installation

Height reference guide



14

15



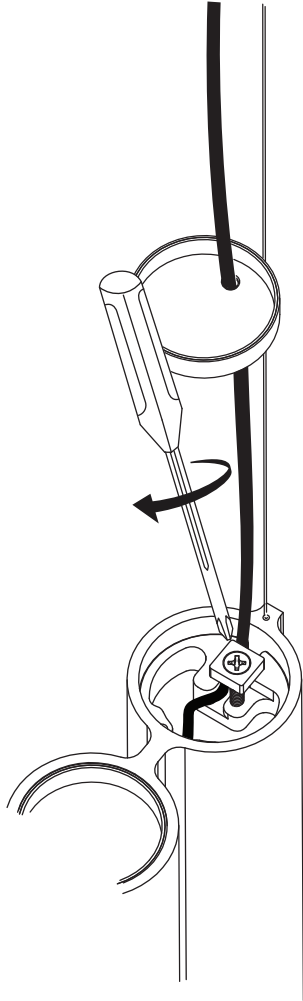
Squeeze tabs to insert

Push 2" of the sleeved wire inside luminaire

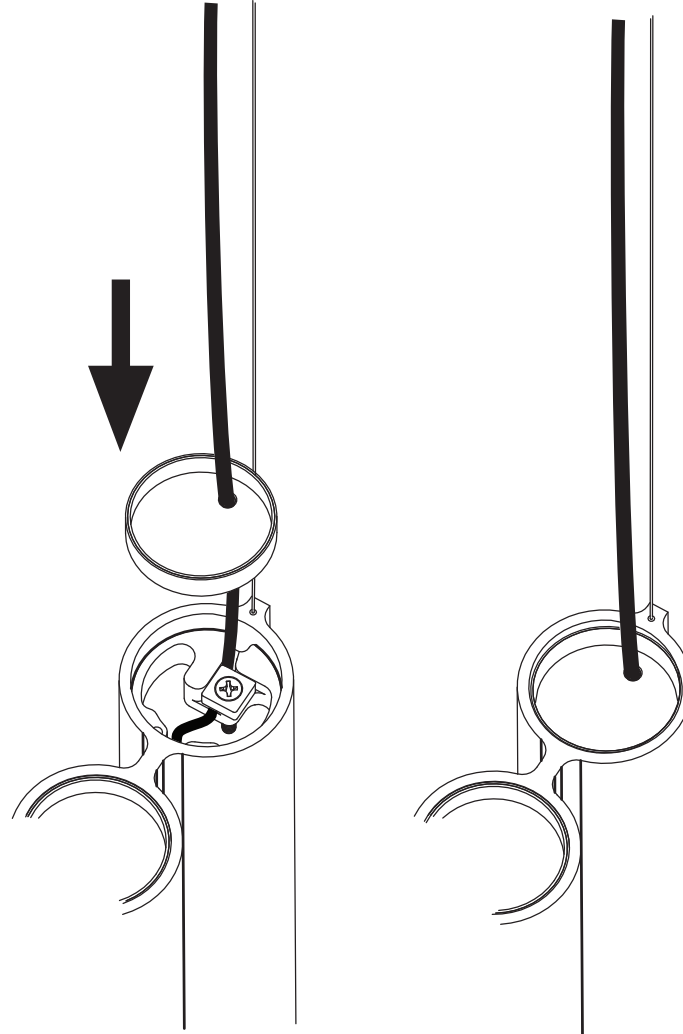
2" / 5 cm

If you make micro-adjustment on the luminaire side, make sure to leave at least 1/4" / 7 mm of the sleeved wire after the strain relief.

16

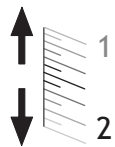
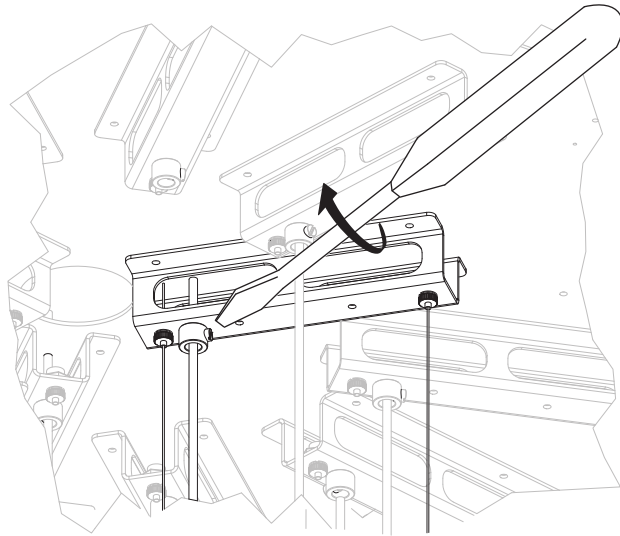


17



18

To adjust tension in electrical wires



Micro-adjustments cannot exceed 1" / 2.5cm down.

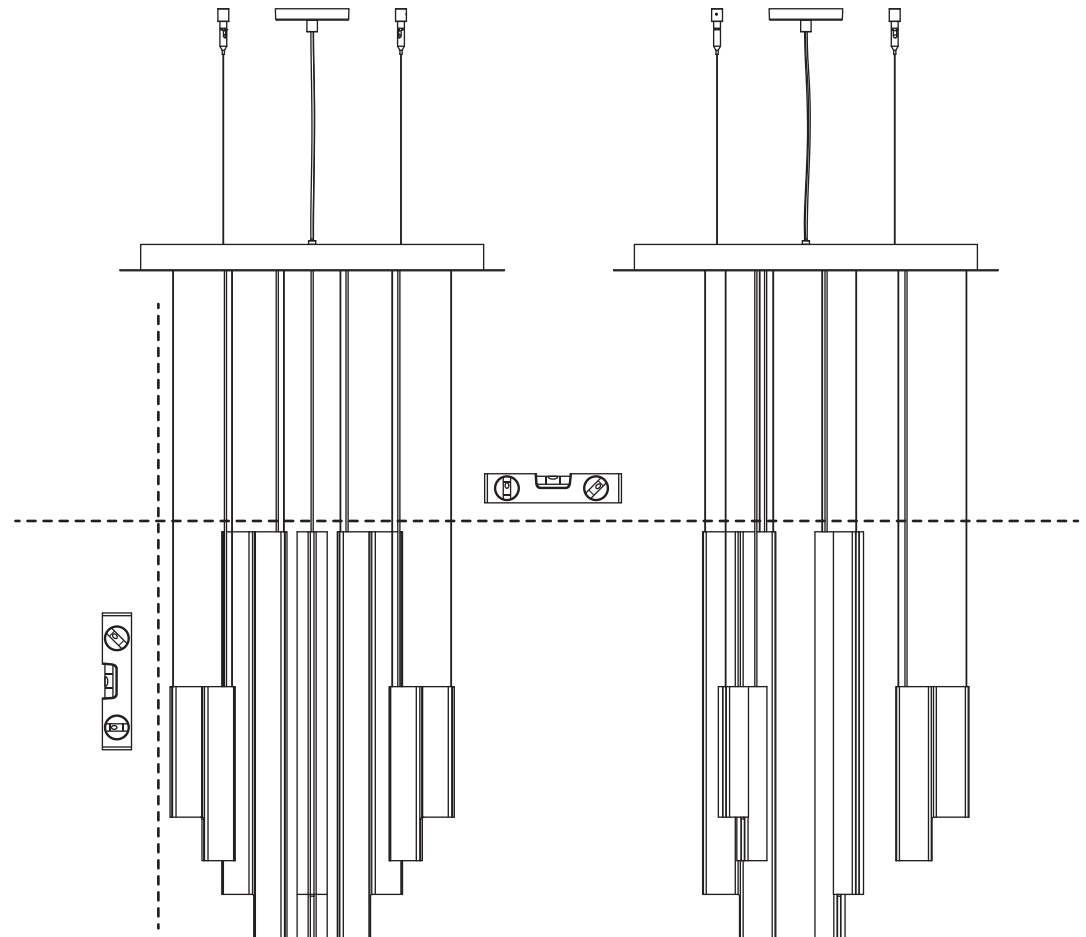
Be careful not to disconnect any of the connections in the connectors.

SCREW GENTLY BUT FIRMLY

19

Ensure all luminaires are balanced and level before closing the canopy.

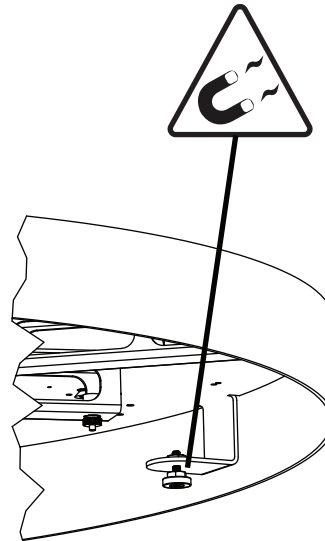
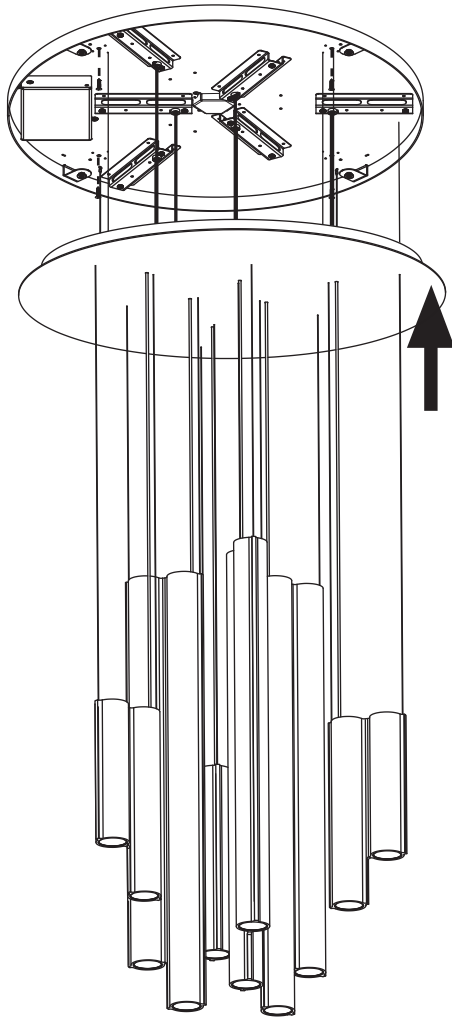
Make adjustments to the wire and stainless steel cable - refer to previous steps.



20

Raise the canopy cover.
It is held in place with magnets.

Be careful not to pinch the wires and
stainless steel cables.



Make sure no wires are
under the magnet when
closing the cover.