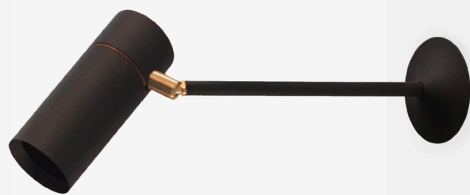


# STORM MEDIUM WALL 250 230V

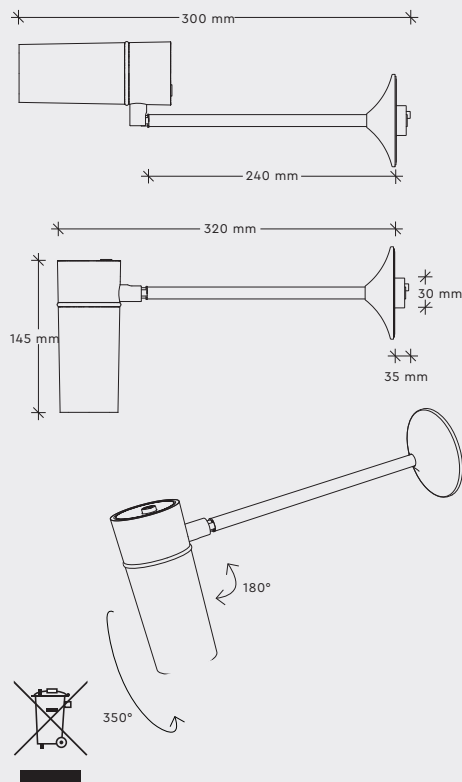


## STORM SYSTEM®

The Storm Medium Wall is part of the STORM SYSTEM® Medium collection. A collection that includes a wide range of special designed products. The STORM SYSTEM® collection is carefully designed to flush the surface of any ceiling or wall, and all products will appear with an absolute minimum of tolerance and visibility.

The Storm Medium Wall is designed to be installed on walls or ceilings with minimum build-in depth. The fixture is mounted directly on the surface.

The Storm Medium Wall is designed to rotate 350° and angles 180°. A honeycomb louvre is placed inside the spot to avoid glaring.



The crossed-out wheeled bin symbol indicates that the item should be disposed of separately from household waste. The item should be handed in for recycling in accordance with local environmental regulations for waste disposal

For more information, please contact [info@onea.dk](mailto:info@onea.dk)

## DATA

Collection	STORM SYSTEM®
Product	Storm Medium Wall 250 - 230V
Article no.	1A01.0122.xx15

## SPECIFICATIONS

Weight	680 g
Materials	Aluminium and Brass
IP protection grade	IP20
Labelling	CE
Safety distance	0,3m
Supply	230V max. rating 10W
Insulation class	Class I
Fixture finish	For xx-codes review STORM SYSTEM® - COLOUR CODES >

## ADDITIONAL REQUIREMENT

Light Source MR16 LED (light source not included)  
review STORM SYSTEM® - CONFIGURATION >

For IES/LDT lux files review  
STORM SYSTEM® - LUX FILES >

NOTE: when using honeycombs the light output will fall with 30% in efficiency

## NOTE

Suitable wallbox: Kaiserbox EAN: 7611614061856

The outer flexible cord of this light fixture must only be replaced by the manufactures.

#### IMPORTANT INFORMATION

Installation and mounting must be performed by a certified electrician only, and instructions must be followed.

#### CLEANING AND MAINTENANCE:

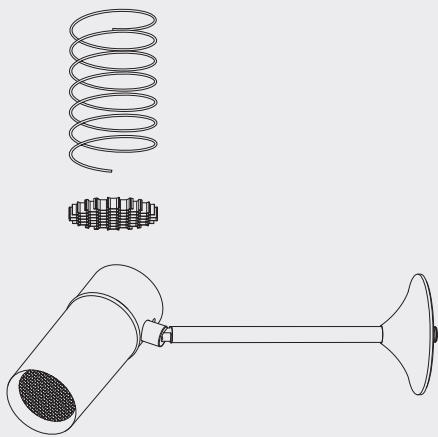
Use a soft moist cloth for cleaning. No further maintenance is required.

#### WARRANTY:

If the product is defect, please contact your supplier immediately. Please note that warranty will not apply in case of wrongful use or if unskilled personnel attempts to repair.

#### COMPONENTS

- Storm Medium Wall
  - spring
  - honeycomb



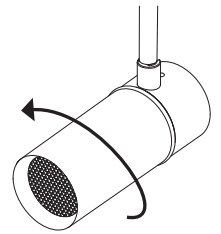
# STORM MEDIUM WALL

## ASSEMBLY INSTRUCTION PAGE 1 OF 2

### PROCEDURE FOR FITTING A 230V LIGHT SOURCE

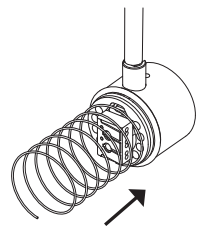
#### STEP 1

Remove the front tube by gently rotating.



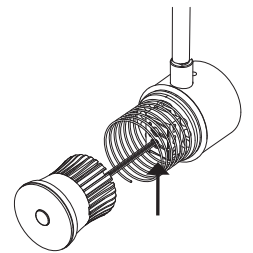
#### STEP 2

Pull back the spring.



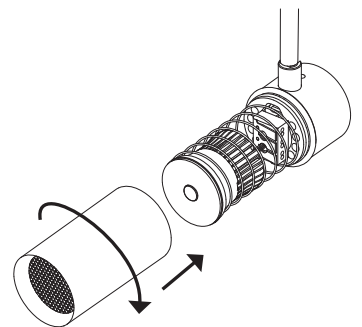
#### STEP 3

Mount your chosen 230V light source.



#### STEP 4

Gently release the spring. Then mount the front tube by slightly rotating the tube into place.



### IMPORTANT INFORMATION

Installation and mounting must be performed by a certified electrician only, and instructions must be followed.

### CLEANING AND MAINTENANCE:

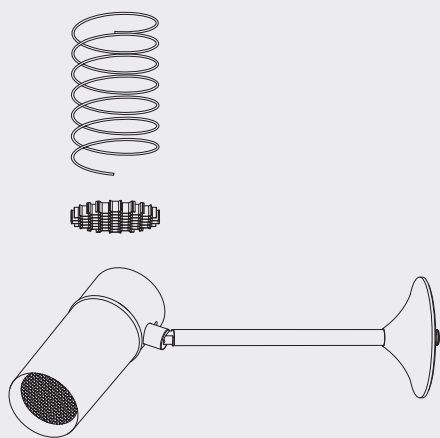
Use a soft moist cloth for cleaning. No further maintenance is required.

### WARRANTY:

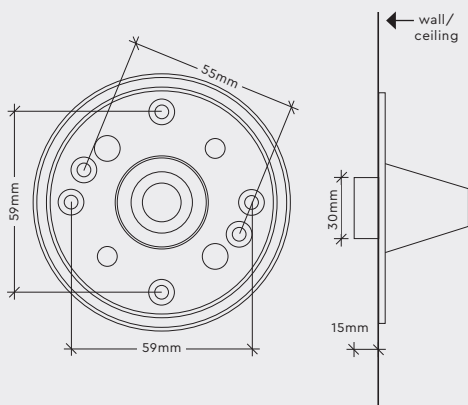
If the product is defect, please contact your supplier immediately. Please note that warranty will not apply in case of wrongful use or if unskilled personnel attempts to repair.

### COMPONENTS

- Storm Medium Wall
  - spring
  - honeycomb



### Dimensions for suitable wall boxes

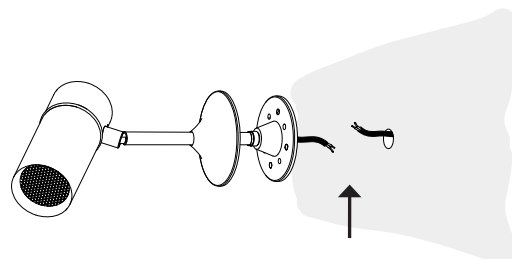


# STORM MEDIUM WALL

## ASSEMBLY INSTRUCTION PAGE 2 OF 2

### STEP 1

Connect the wires. Place the wires inside the junctionbox. Kaiserbox nr. 9955 is recommended as a junctionbox.

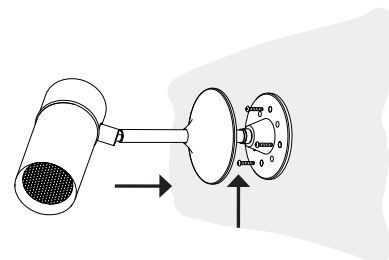


### IMPORTANT:

THE CORE WITH GREEN/YELLOW INSULATION MUST ONLY BE CONNECTED TO A TERMINAL MARKED WITH  $\oplus$  OR  $\ominus$

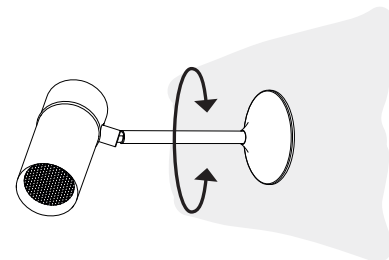
### STEP 2

Mount the fixture onto the wall or ceiling. Then gently slide the cover to the base plate for fixation.



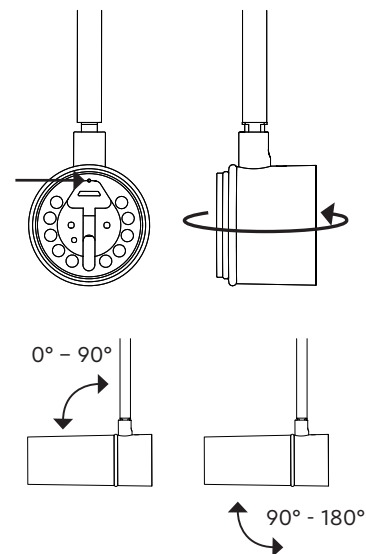
### STEP 3

Adjust the fixture to the desired position.



### NOTE:

The fixture can tilt 90°. To change the direction the fixture tilts; remove the front of the fixture, turn the screw located in the "leather V" two or three times, rotate the remaining part of the fixture 180°, then tighten the small screw and reattach the front of the fixture.



#### IMPORTANT INFORMATION

Disassembly must be performed by a certified electrician only, and instructions must be followed.

#### WARRANTY:

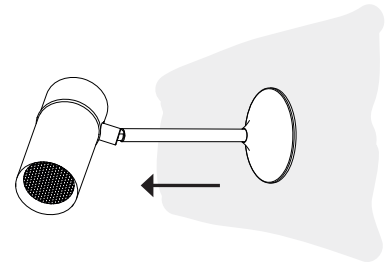
If the product is defect, please contact your supplier immediately. Please note that warranty will not apply in case of wrongful use or if unskilled personnel attempts to repair.

## STORM MEDIUM WALL

### DISASSEMBLY INSTRUCTION

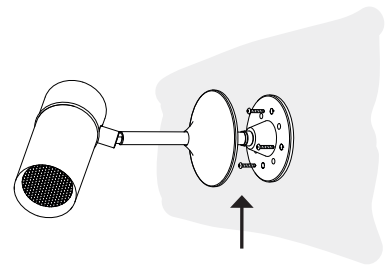
#### STEP 1

Gently slide the cover away from the base plate.



#### STEP 2

Unscrew the fixture from the wall or ceiling.



#### STEP 3

Disconnect the cables.

