



LW340T datasheet



Project: Private Residence | Lighting design: ONE A

The LW lamps are crafted with meticulous attention to detail, they feature a sleek and slender cylinder with hand-wrapped leather details.

Designed with versatility in mind, the LW lamps are available as either a L or T shape and in three different lengths each.

GENERAL DATA

Collection

ONE A

Product

LW340T

Article no.

- 1A11.3850.xx65.30yy
- 1A11.3850.xx66.24yy
- 1A11.3850.xx67.30yy
- 1A11.3850.xx95.30yy
- 1A11.3850.xx96.24yy
- 1A11.3850.xx97.30yy

SPECIFICATIONS

Weight

0,8 kg / 1,3 kg

Material

Aluminium / Brass and Leather

IP protection grade

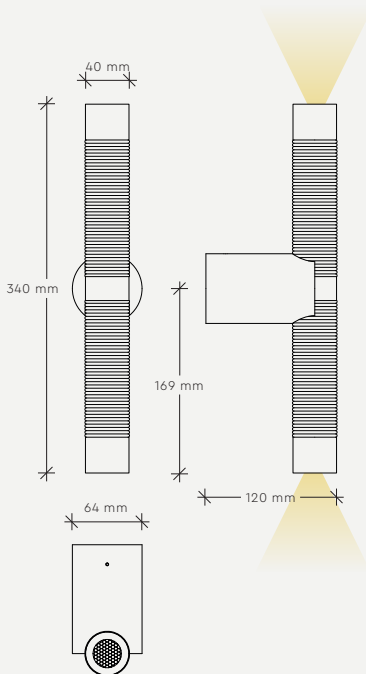
IP20

Life

50K/LM70

Labelling

CE



LOW VOLTAGE – ELECTRICAL SPECIFICATION

1A11.3850.xx65.30yy – CC | DIM | 2700K

Light Source	LED constant current (included)
Supply	max. 160mA 35V
CCT	2700K
Lens	30°
Insulation class	Class III

Additional requirements: (not included)

Driver (remote only)	1AD.130PC06 Phasecut 1AD.300DA12.DS DALI
----------------------	---

This product shall always be powered by SELV LED driver, output voltage of this driver in open circuit must not exceed 60V. Do NOT cover the LED driver



1A11.3850.xx67.30yy – CC | DIM | 3000K

Light Source	LED constant current (included)
Supply	max. 160mA 35V
CCT	3000K
Lens	30°
Insulation class	Class III

Additional requirements: (not included)

Driver (remote only)	1AD.130PC06 Phasecut 1AD.300DA12.DS DALI
----------------------	---

This product shall always be powered by SELV LED driver, output voltage of this driver in open circuit must not exceed 60V. Do NOT cover the LED driver



1A11.3850.xx66.24yy – CC | D2W | 2400-2000K

Light Source	LED constant current (included)
Supply	max. 270mA 17V
CCT	2400-2000K
Lens	24°
Insulation class	Class III

Additional requirements: (not included)

Driver (remote only)	1AD.270PC06 Phasecut 1AD.300DA12.DS DALI
----------------------	---

This product shall always be powered by SELV LED driver, output voltage of this driver in open circuit must not exceed 60V. Do NOT cover the LED driver




MAINS POWERED – ELECTRICAL SPECIFICATION

1A11.3850.xx95.30yy – 230V | DIM | 2700K

Light Source	LED (included)
Supply	230V 7W
CCT	2700K
Lens	30°
Insulation class	Class II
Dimming	Phasecut Trailing edge dimmer




1A11.3850.xx97.30yy - 230V | DIM | 3000K

Light Source	LED (included)
Supply	230V 7W
CCT	3000K
Lens	30°
Insulation class	Class II 
Dimming	Phasecut Trailing edge dimmer



1A11.3850.xx96.24yy - 230V | D2W | 2400-2000K

Light Source	LED (included)
Supply	230V 6W
CCT	2400-2000K
Lens	24°
Insulation class	Class II 
Dimming	Phasecut Trailing edge dimmer



NOTE:

When using honey combs the lumen output will be reduced by 30% in efficiency.





The light source can only be replaced by the manufacturer and must be returned for replacement

Suitable wallbox for plastered surfaces: Kaiserbox EAN: 7611614061856

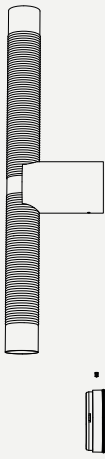
XX - COLOUR CODES

-  08 - Mouse Grey
-  33 - nature*
-  34 - antique*
-  35 - night*

YY - COLOUR CODES

-  92 - Black Leather
-  94 - Tan Leather *Please note - variations will occur!*
-  95 - Dark Brown Leather
-  96 - Green Leather

(*) Brass is a natural product and colour will change over time



COMPONENTS

- LW340T
 - Storm S Base
 - Quill screw

IMPORTANT INFORMATION

Installation and mounting must be performed by a certified electrician only, and instructions must be followed. Always make sure the main power is off during installation. Pay attention to the fixture remarks, and always make sure to use the correct voltage.

CLEANING AND MAINTENANCE:

Use a soft moist cloth for cleaning. No further maintenance is required.

WARRANTY:

If the product is defect, please contact your supplier immediately. Please note that warranty will not apply in case of wrongful use or if unskilled personnel attempts to repair.



The crossed-out wheeled bin symbol indicates that the item should be disposed of separately from household waste. The item should be handed in for recycling in accordance with local environmental regulations for waste disposal

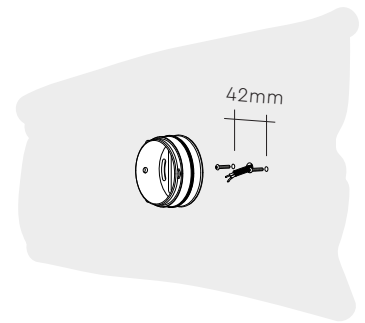
For more information, please contact info@onea.dk

ASSEMBLY INSTRUCTION

Page 1 of 2

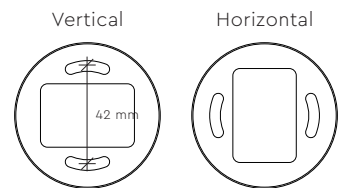
STEP 1

Mount the fixture onto the wall, by placing the Storm S Base over the screws, then tighten.



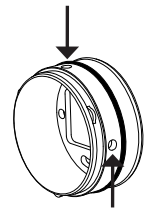
NOTE:

There are two sets of mounting options; horizontal or vertical.



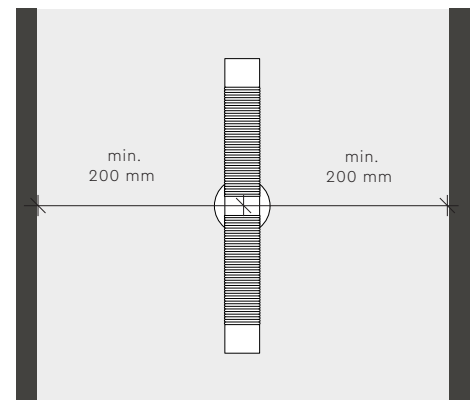
NOTE:

The hole on the top of the fixture and the two holes on the Storm S Base determine the direction of the fixture



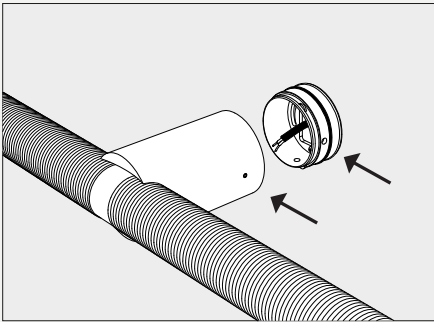
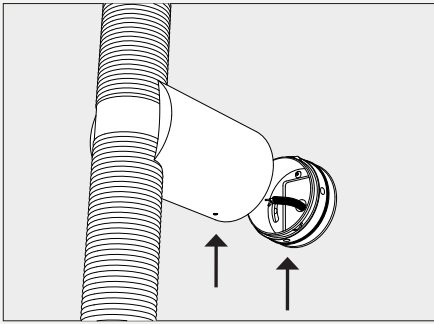
NOTE:

The fixture must have a minimum distance from a wall



ASSEMBLY INSTRUCTION

Page 2 of 2



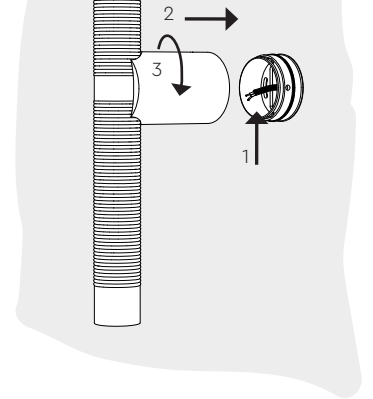
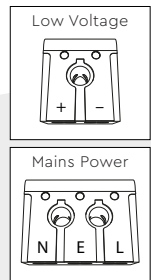
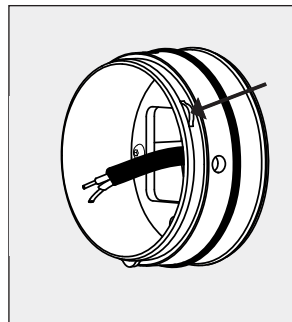
STEP 2

WARNING: Make sure the power is OFF before installing the fixtures

Connect the supply cable to the fixture terminal and then mount the fixture.

ATTENTION: Always make sure to check the fixtures markings regarding voltage supply. **DO NOT** connect mains power directly to a low voltage fixture.

NOTE: Be careful not to damage the "ears" on the base when mounting the fixture.



IMPORTANT INFORMATION

Installation and mounting must be performed by a certified electrician only, and instructions must be followed. Always make sure the main power is off during installation. Pay attention to the fixture remarks, and always make sure to use the correct voltage.

CLEANING AND MAINTENANCE:

Use a soft moist cloth for cleaning. No further maintenance is required.

WARRANTY:

If the product is defect, please contact your supplier immediately. Please note that warranty will not apply in case of wrongful use or if unskilled personnel attempts to repair.

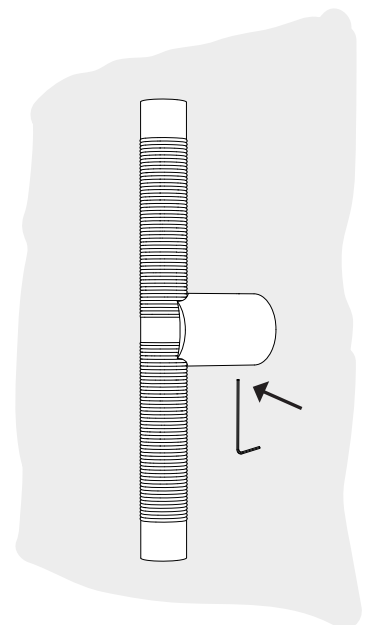


The crossed-out wheeled bin symbol indicates that the item should be disposed of separately from household waste. The item should be handed in for recycling in accordance with local environmental regulations for waste disposal

For more information, please contact info@onea.dk

STEP 3

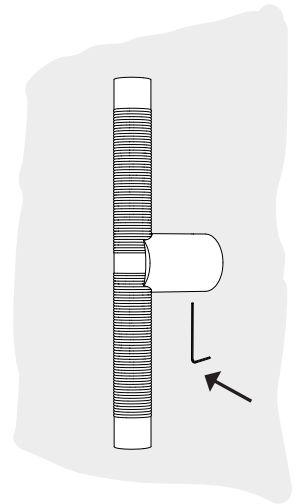
Make sure that the holes align. Then lock the position by tightening the quill screw with the allen key



DISASSEMBLY INSTRUCTION

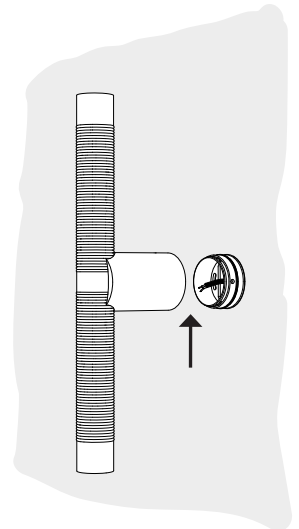
STEP 1

Release the quill screw and gently turn and pull the fixture from the Storm S Base.



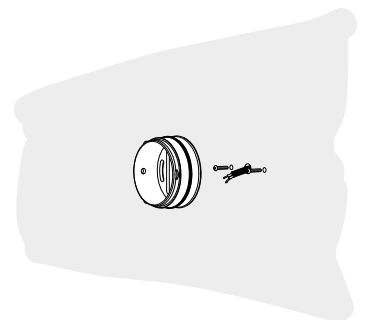
STEP 2

Disconnect the cables



STEP 3

Loosen the screws, then slightly rotate and gently pull



IMPORTANT INFORMATION

Installation and mounting must be performed by a certified electrician only, and instructions must be followed. Always make sure the main power is off during installation. Pay attention to the fixture remarks, and always make sure to use the correct voltage.

CLEANING AND MAINTENANCE:

Use a soft moist cloth for cleaning. No further maintenance is required.

WARRANTY:

If the product is defect, please contact your supplier immediately. Please note that warranty will not apply in case of wrongful use or if unskilled personnel attempts to repair.



The crossed-out wheeled bin symbol indicates that the item should be disposed of separately from household waste. The item should be handed in for recycling in accordance with local environmental regulations for waste disposal

For more information, please contact info@onea.dk