

STORM MEDIUM VENUS D2W

DATA

Collection	STORM SYSTEM®
Product	Storm Medium Venus – D2W
Article no.	1A01.0131.6266

SPECIFICATIONS

Weight	380 g
Materials	Aluminium and Glass
IP protection grade	IP65 (heat shrink cable connection is required)
Labelling	CE
Fixture finish	Glass
Light Source	LED Constant Current (included)

For IES/LDT lux files review
[STORM SYSTEM® – LUX FILES](#) ➤

Supply	8W 35V 210mA
CCT	2800 – 2000K
Insulation class	Class III 

ADDITIONAL REQUIREMENTS

Driver [review STORM SYSTEM® – CONFIGURATION](#) ➤

This product shall always be powered by SELV LED driver, output voltage of this driver in open circuit must not exceed 60V. Do NOT cover the LED driver or locate LED driver on top of light fixture.

NOTE

The light source of this light fixture is not replaceable; when the light source reaches its end of life the whole light fixture must be replaced.

Be cautious while putting on/off the power supply, as excess current, excess voltage or reverse voltage may get injected to the device in some cases.

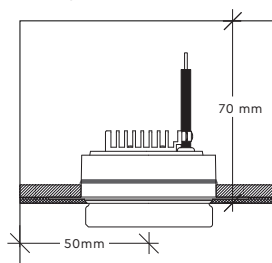
If cable connection is completed with included junction box, IP20 protection grade is obtained.

Storm Medium Venus is suitable for outdoor use.

INSTALLATION DEPTH

The installation depth may vary if Storm Medium Cabinet is chosen.

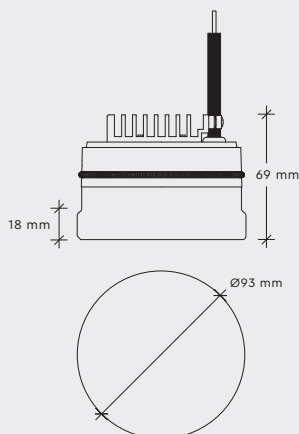
For specific conditions – [review STORM SYSTEM® – CONFIGURATION](#) ➤



STORM SYSTEM®

The Storm Medium Venus is part of the STORM SYSTEM® MEDIUM collection. A collection that includes a wide range of special designed products. The STORM SYSTEM® collection is carefully designed to flush the surface of any ceiling or wall, and all products will appear with an absolute minimum of tolerance and visibility.

A soft light shines through the glass, and provides a pleasant light.



The crossed-out wheeled bin symbol indicates that the item should be disposed of separately from household waste. The item should be handed in for recycling in accordance with local environmental regulations for waste disposal

For more information, please contact info@onea.dk

IMPORTANT INFORMATION

Installation and mounting must be performed by a certified electrician only, and instructions must be followed.

Always make sure the main power is off during installation. Pay attention to the fixture remarks, and always make sure to use the correct voltage.

CLEANING AND MAINTENANCE:

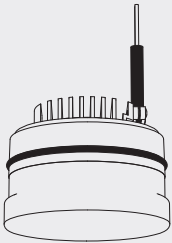
Use a soft moist cloth for cleaning. No further maintenance is required.

WARRANTY:

If the product is defect, please contact your supplier immediately. Please note that warranty will not apply in case of wrongful use or if unskilled personnel attempts to repair.

COMPONENTS

- Storm Medium Venus



PLEASE NOTE:

If the spring on the fixture is damaged, do not proceed installation – contact your dealer!

STORM MEDIUM VENUS

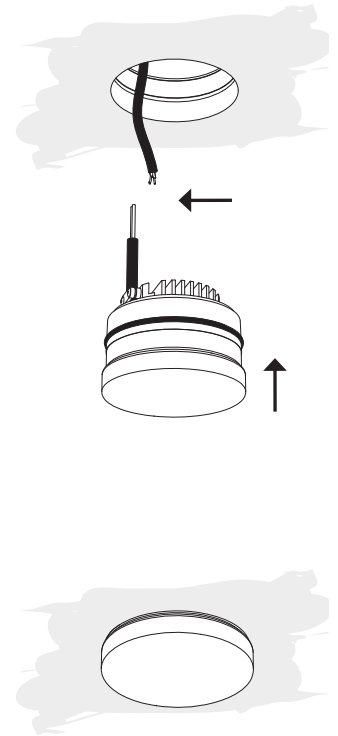
ASSEMBLY INSTRUCTION

STEP 1

Connect the supply cable with Storm Venus' cable, then mount the fixture into the plaster ring/back-mounted ring. Do this by slightly rotating the fixture.

BE ATTENTIVE! Make sure you are using the correct power supply according to the fixture.

NOTE: When rotating the fixture choose the direction with the least resistance.



IMPORTANT INFORMATION

Disassembly must be performed by a certified electrician only, and instructions must be followed.

Always make sure the main power is off during installation. Pay attention to the fixture remarks, and always make sure to use the correct voltage.

WARRANTY:

If the product is defect, please contact your supplier immediately. Please note that warranty will not apply in case of wrongful use or if unskilled personnel attempts to repair.

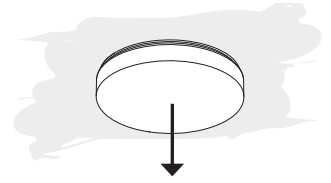
STORM MEDIUM VENUS

DISASSEMBLY INSTRUCTION

STEP 1

Take hold of the fixture and pull down gently, whilst slightly rotating.

NOTE: When rotating the fixture choose the direction with the least resistance.



STEP 2

Disconnect the cables

