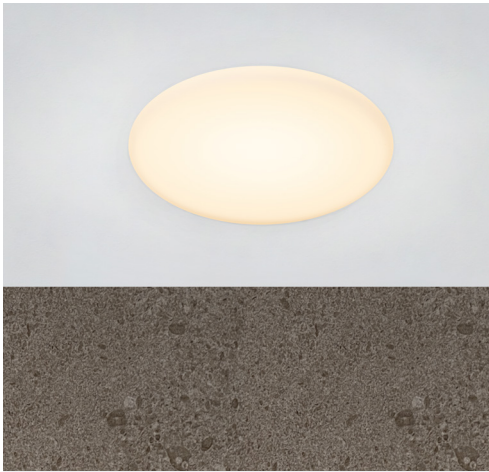


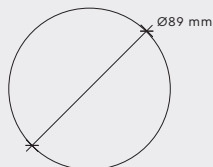
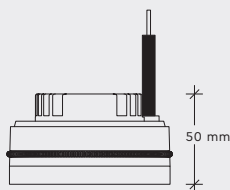
STORM MEDIUM PLUTO DIM



STORM SYSTEM®

The Storm Medium pluto is part of the STORM SYSTEM® MEDIUM collection. A collection that includes a wide range of special designed products. The STORM SYSTEM® collection is carefully designed to flush the surface of any ceiling or wall, and all products will appear with an absolute minimum of tolerance and visibility.

Storm Medium Pluto is designed to flush ceilings or walls. A soft light shines through the glass, and provides a pleasant light. A perfect solution for a night light.



The crossed-out wheeled bin symbol indicates that the item should be disposed of separately from household waste. The item should be handed in for recycling in accordance with local environmental regulations for waste disposal

For more information, please contact info@onea.dk

DATA

| | |
|-------------|--------------------------|
| Collection | STORM SYSTEM® |
| Product | Storm Medium Pluto – Dim |
| Article no. | 1A01.0130.6265 |

SPECIFICATIONS

| | |
|---------------------|---|
| Weight | 340 g |
| Materials | Aluminium and glass |
| IP protection grade | IP65 (heat shrink cable connection is required) |
| Labelling | CE |
| Fixture finish | Glass |
| Light Source | LED Constant Current (included) |

For IES/LDT lux files review

[STORM SYSTEM® – LUX FILES >](#)

| | |
|------------------|---|
| Supply | 8W 35V 210mA |
| CCT | 2700K |
| Insulation class | Class III  |

ADDITIONAL REQUIREMENTS

Driver [review STORM SYSTEM® – CONFIGURATION >](#)

This product shall always be powered by SELV LED driver, output voltage of this driver in open circuit must not exceed 60V. Do NOT cover the LED driver or locate LED driver on top of light fixture.

NOTE

The light source of this light fixture is not replaceable; when the light source reaches its end of life the whole light fixture must be replaced.

Be cautious while putting on/off the power supply, as excess current, excess voltage or reverse voltage may get injected to the device in some cases.

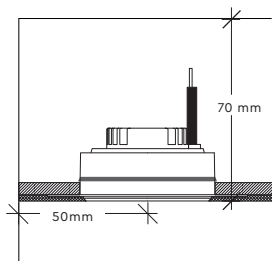
If cable connection is completed with included junction box, IP20 protection grade is obtained.

Storm Medium Pluto is suitable for outdoor use.

INSTALLATION DEPTH

The installation depth may vary if Storm Medium Cabinet is chosen.

For specific conditions – [review STORM SYSTEM® – CONFIGURATION >](#)



IMPORTANT INFORMATION

Installation and mounting must be performed by a certified electrician only, and instructions must be followed.

CLEANING AND MAINTENANCE:

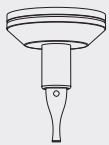
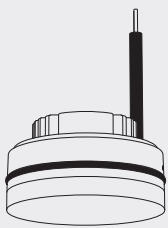
Use a soft moist cloth for cleaning. No further maintenance is required.

WARRANTY:

If the product is defect, please contact your supplier immediately. Please note that warranty will not apply in case of wrongful use or if unskilled personnel attempts to repair.

COMPONENTS

- Storm Medium Pluto
- Suction cup for disassembly



PLEASE NOTE:

If the spring on the fixture is damaged, do not proceed installation – contact your dealer!

STORM MEDIM PLUTO

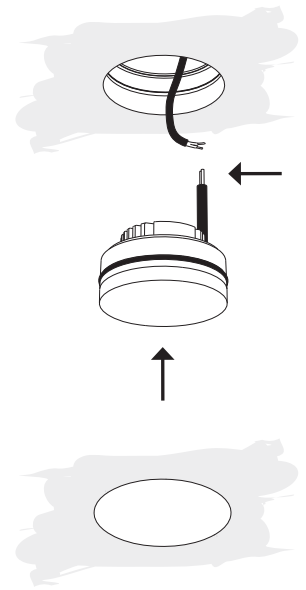
ASSEMBLY INSTRUCTION

STEP 1

Connect the supply cable with Storm Medium Pluto's cable, then mount the fixture into the plaster ring/back-mounted ring. Do this by slightly rotating the fixture.

BE ATTENTIVE! Make sure you are using the correct power supply according to the fixture.

NOTE: When rotating the fixture choose the direction with the least resistance.



IMPORTANT INFORMATION

Disassembly must be performed by a certified electrician only, and instructions must be followed.

WARRANTY:

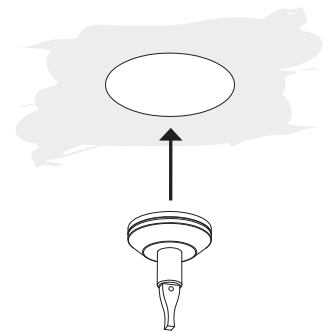
If the product is defect, please contact your supplier immediately. Please note that warranty will not apply in case of wrongful use or if unskilled personnel attempts to repair.

STORM MEDIUM PLUTO

DISASSEMBLY INSTRUCTION

STEP 1

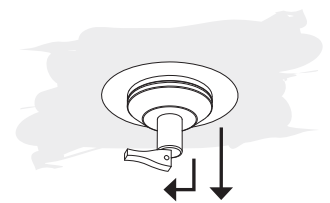
Place the suction cup over the fixture.



STEP 2

Turn the handle to ensure suction, then pull down gently, whilst slightly rotating.

NOTE: When rotating the fixture choose the direction with the least resistance.



STEP 3

Disconnect the cables

