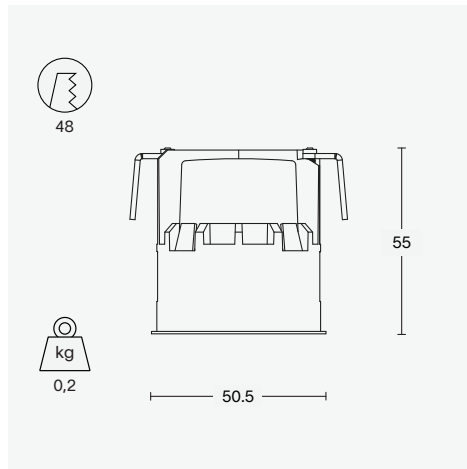


rond 2.0 multifit holder



tech specs

kit size	h 55 w 50.5
location	indoor
weight	0.2 kg
compatibility	rond 2.0 multifit socket

order number

8800 - 2012	multifit holder
-------------	-----------------

mounting dimensions

installation hole	Ø48
panel thickness	min. 8mm - max. 30 mm
flush mount countersink	Ø52,5 x 2mm depth (optional)