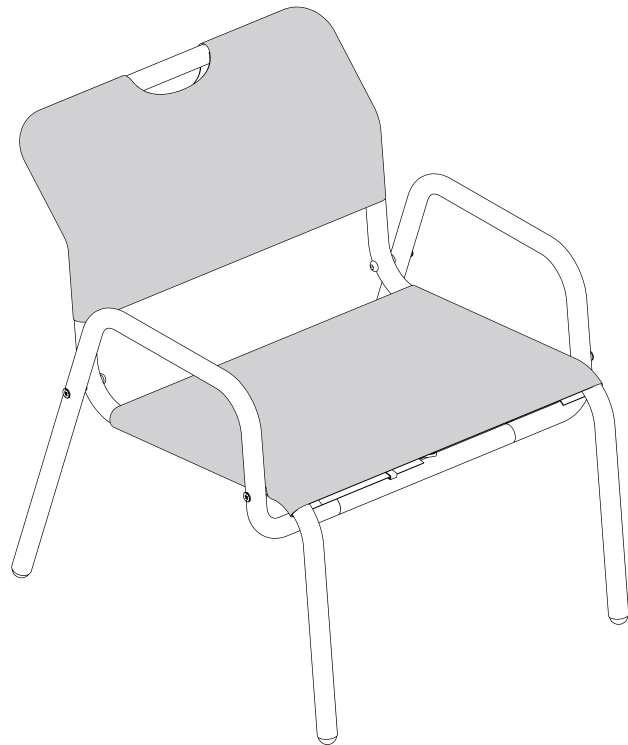
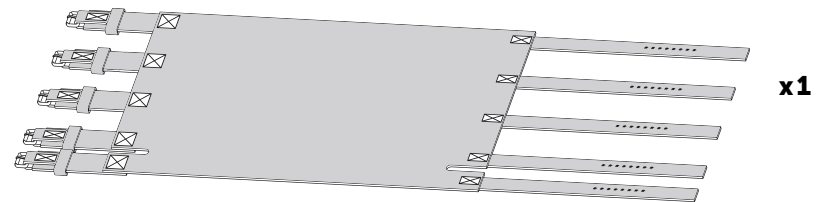
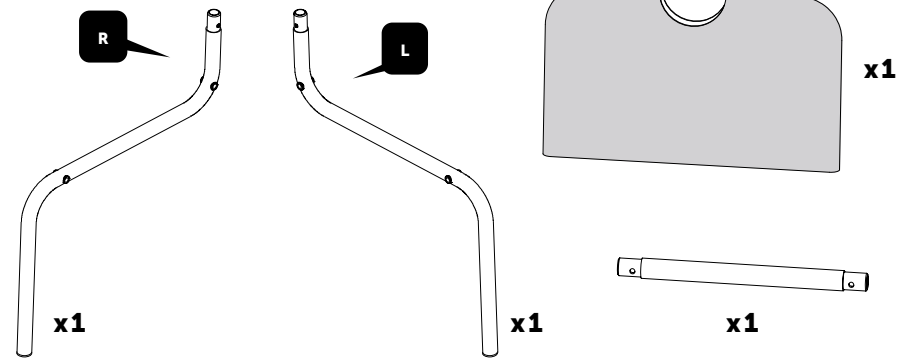
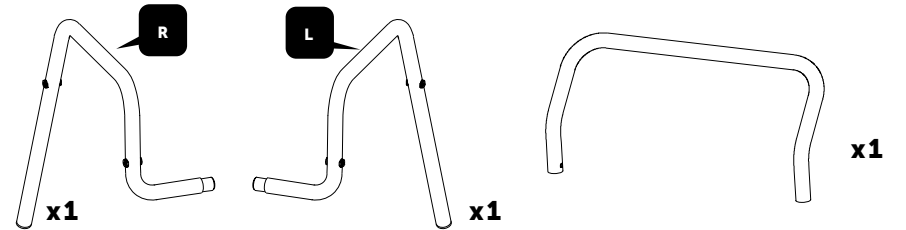
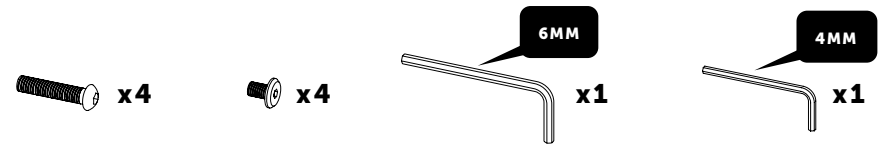


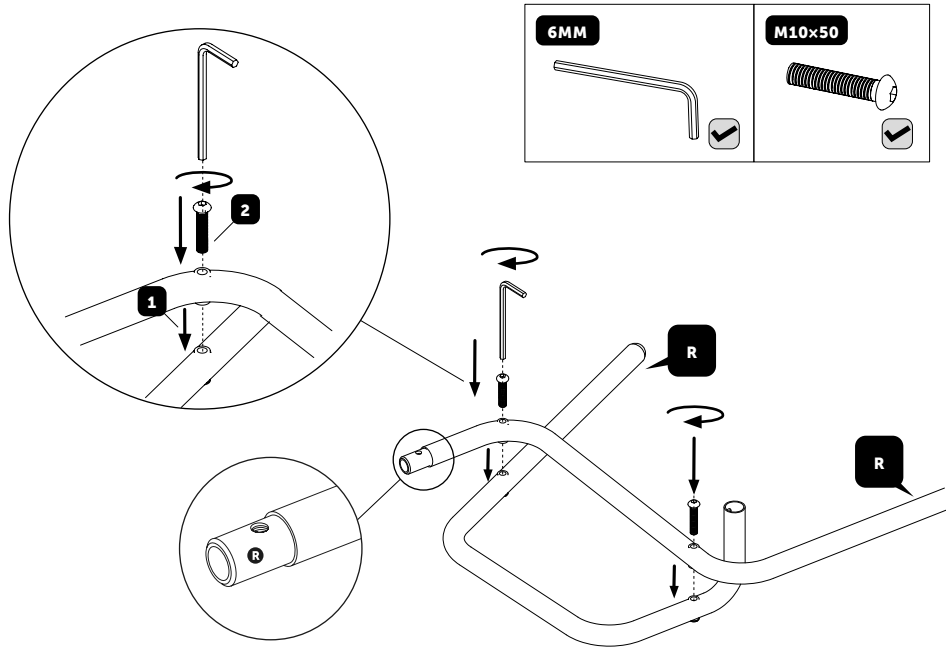
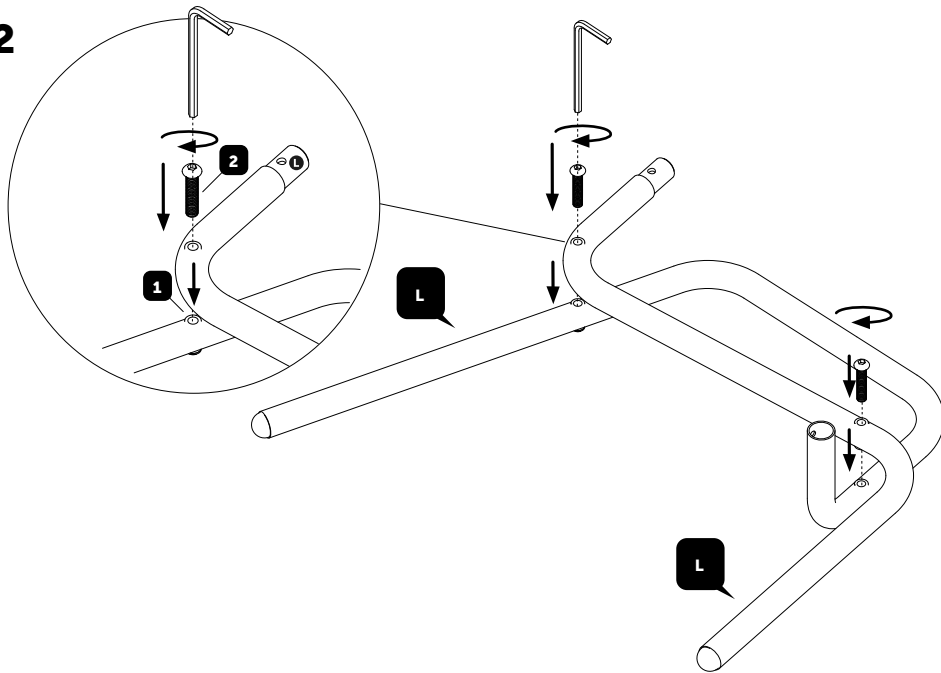
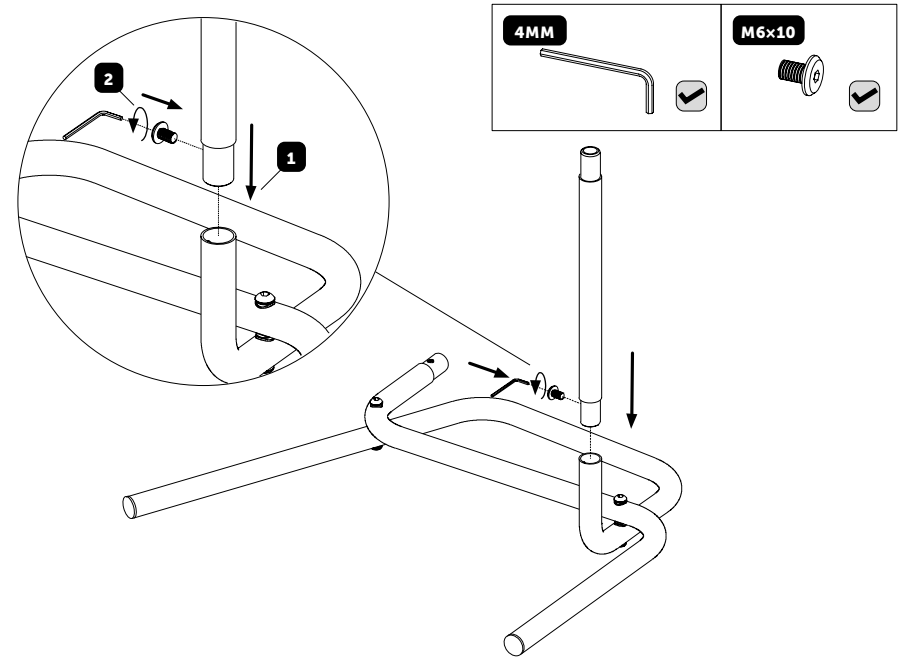
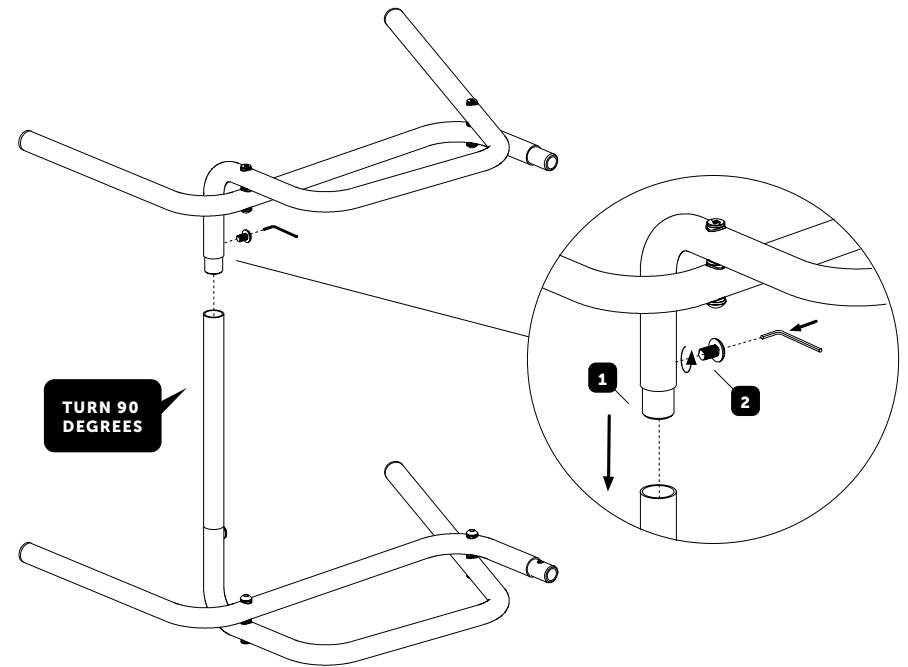
CHOPPER CHAIR
INSTALLATION MANUAL



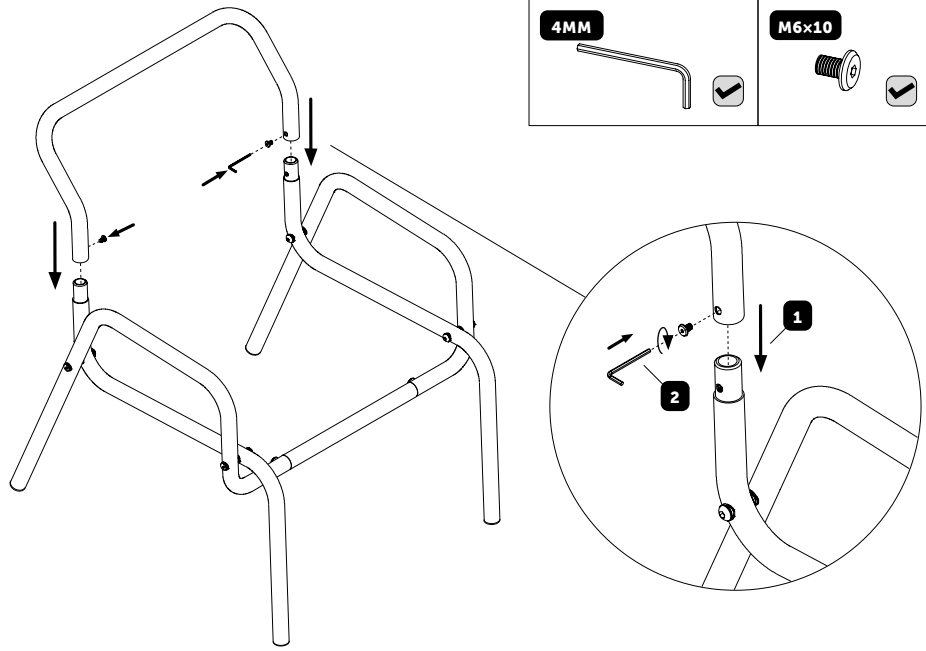
PLEASE NOTE:
We recommend assembling on a soft or carpeted surface.

CONTENTS

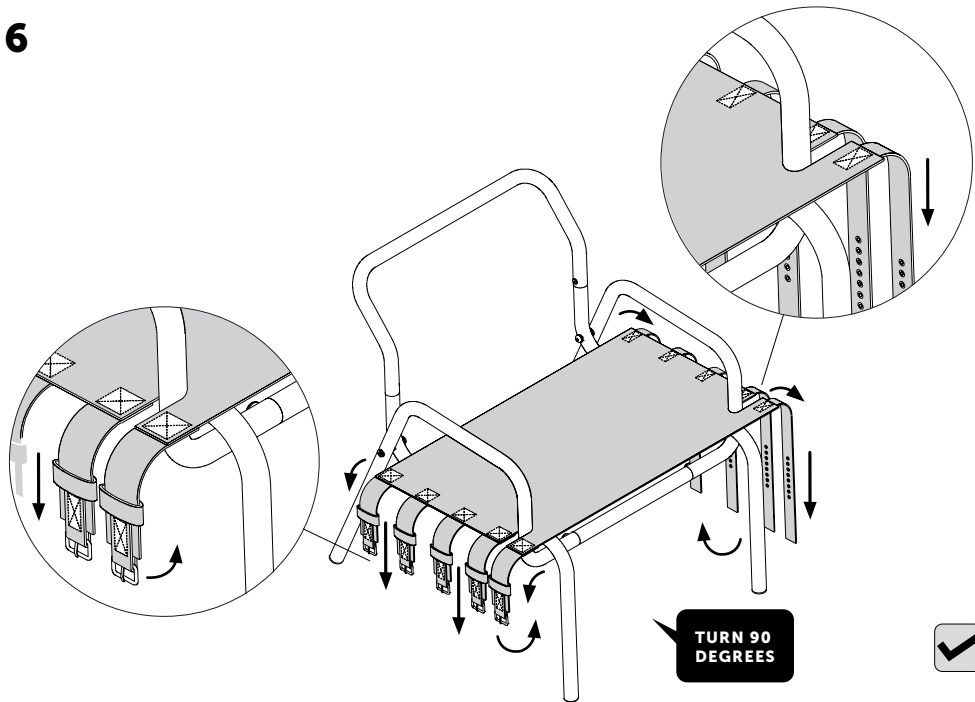


1**2****3****4**

5

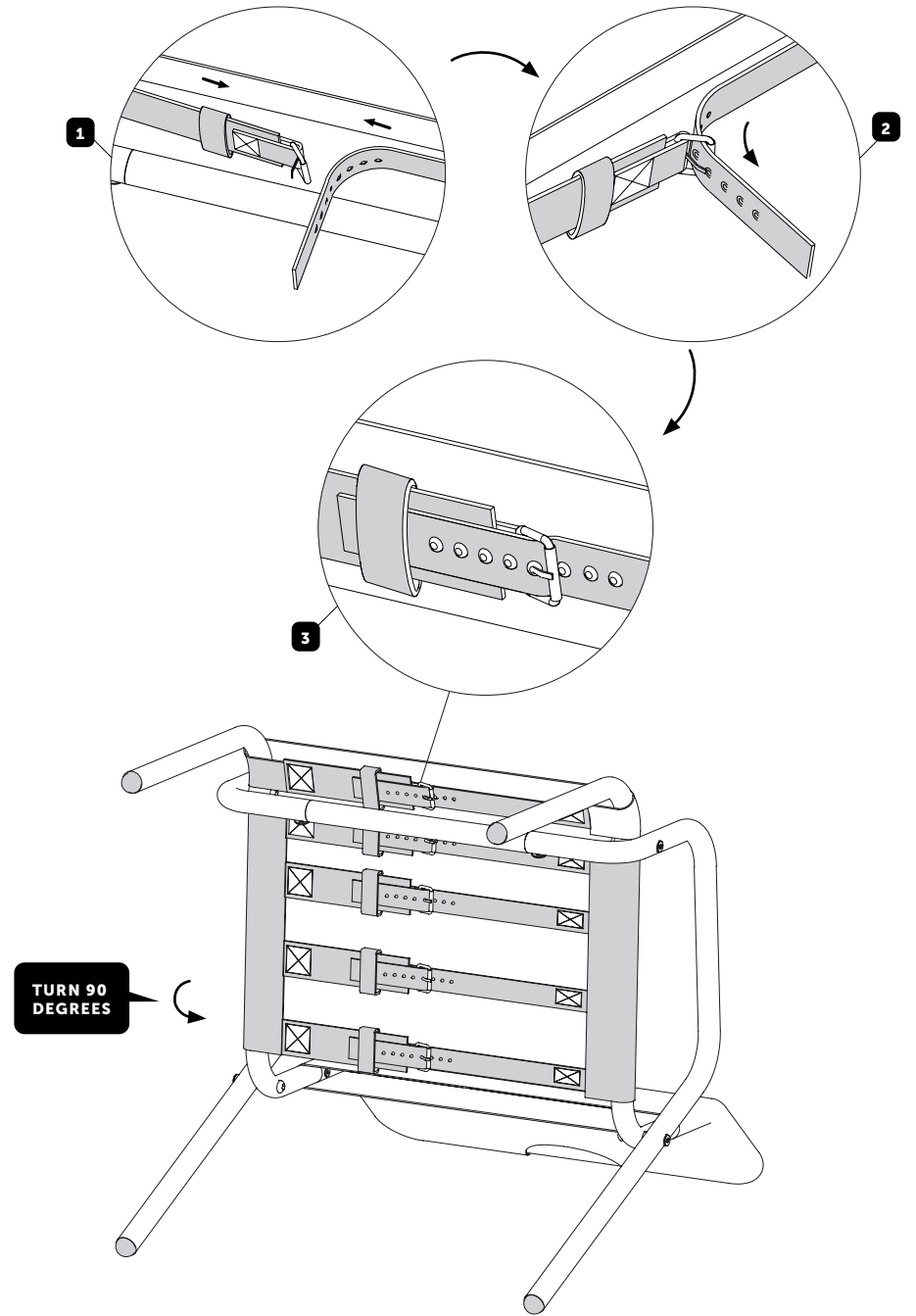


6

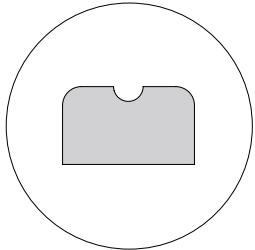


7

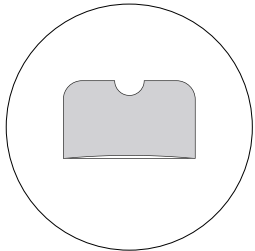
TIGHTEN THE BUCKLE.



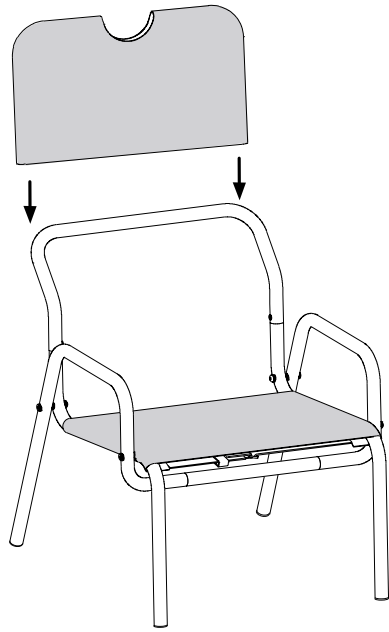
8 SHORT SIDE TO THE BACK, LONG SIDE
THE FRONT.



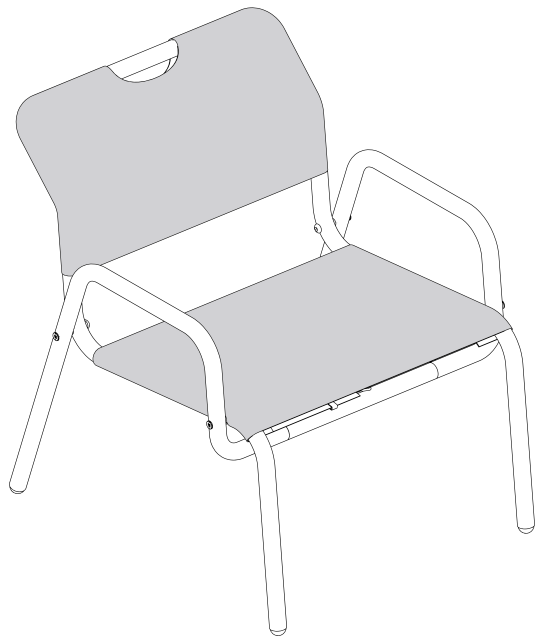
FRONT



BACK



9



[end. **ORDINARY**]