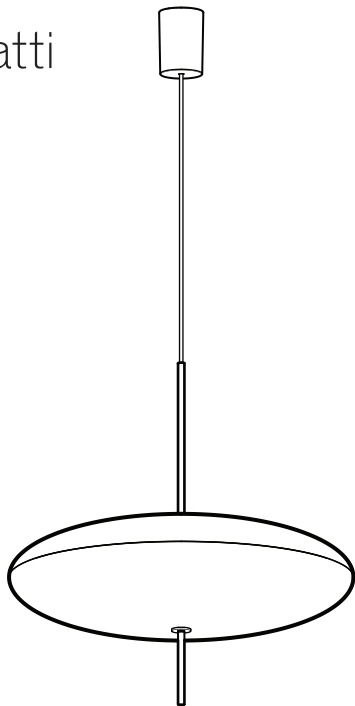


# FLOS with Sarfatti

T01  
MODEL 2065  
G. Sarfatti, 1950/2016



[www.astep.design](http://www.astep.design)



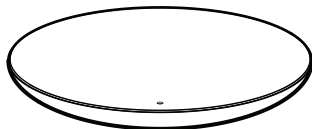
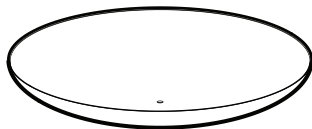
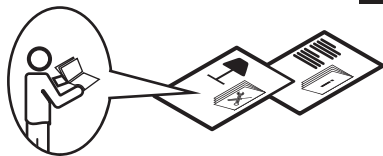
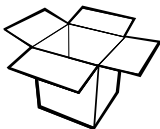


MAX 12W  
E 14  
220-240V

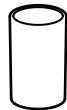
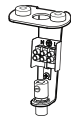
i

CE

IP20



x 5

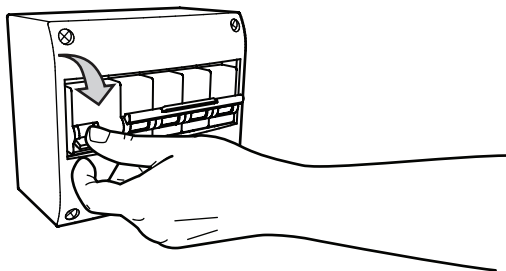
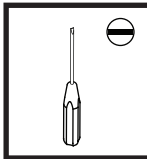
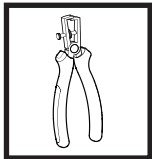
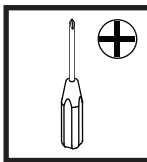
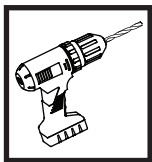
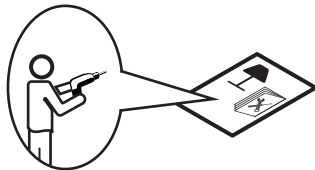


x 2





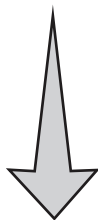
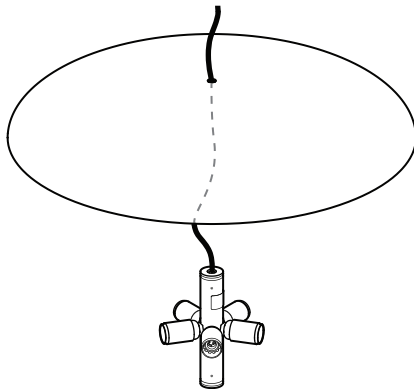
03



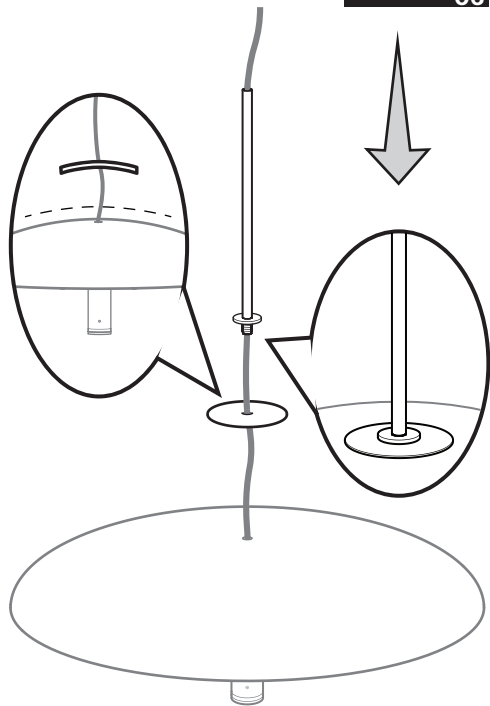
04



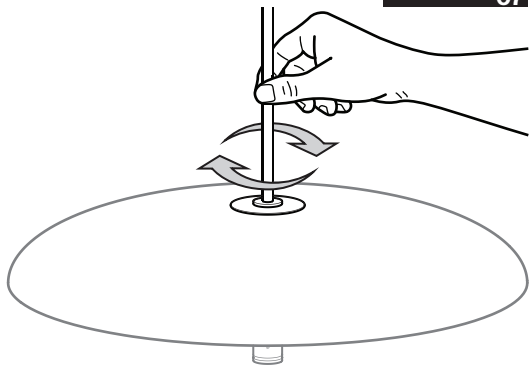
05



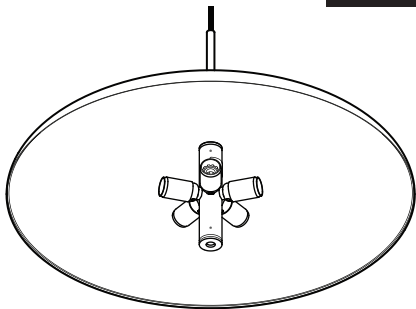
06

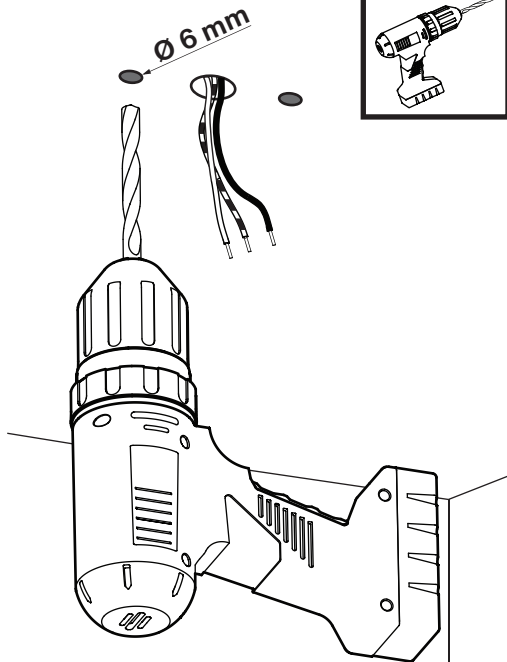
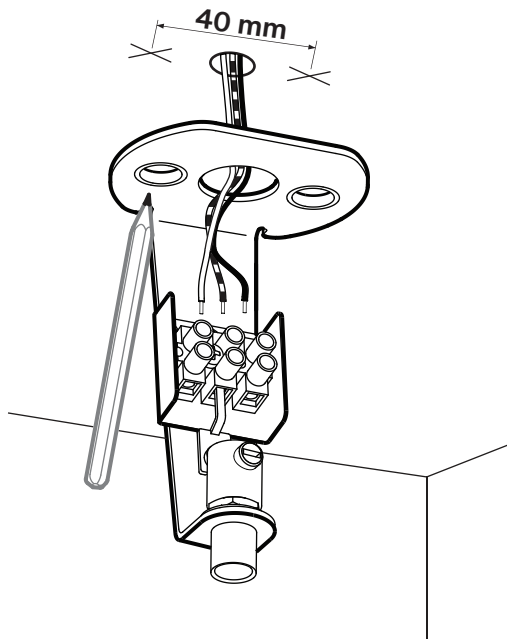


07

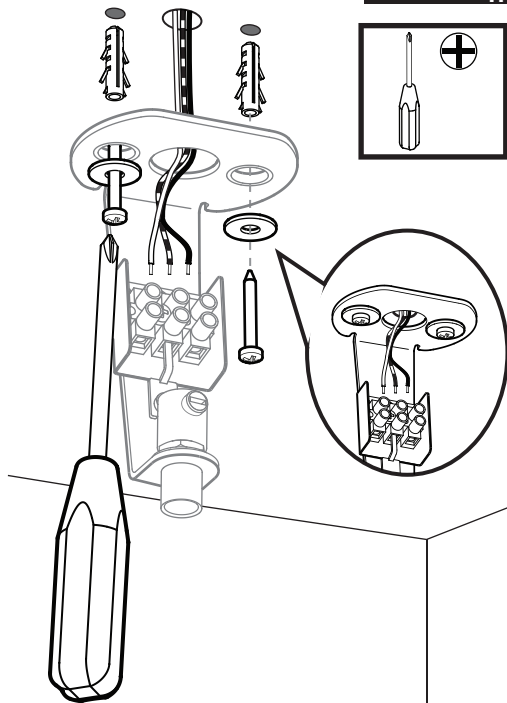


08

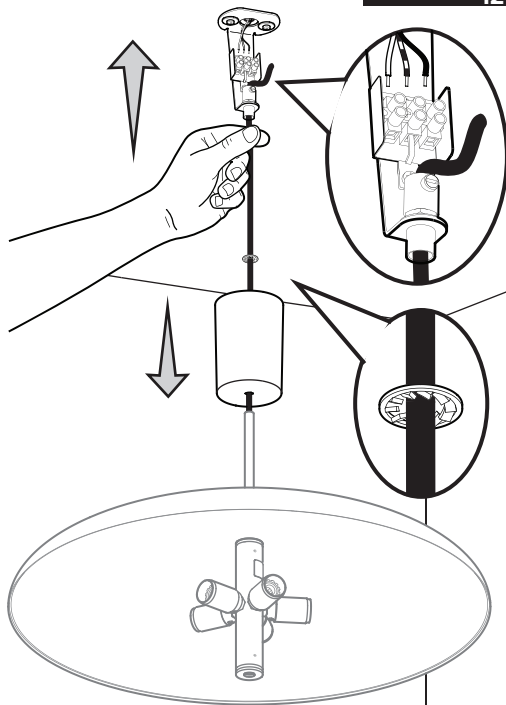




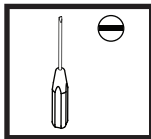
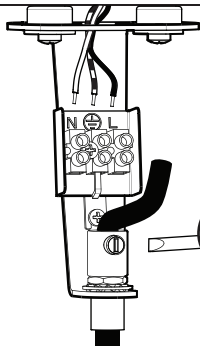
11



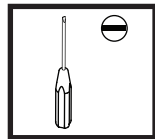
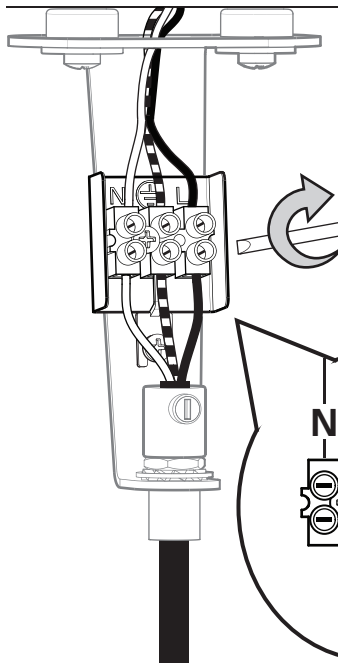
12



13



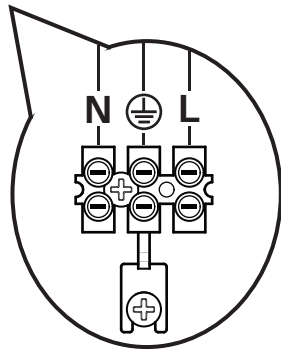
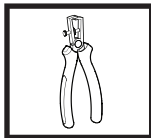
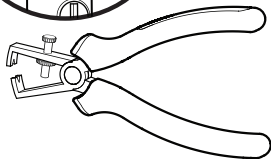
15

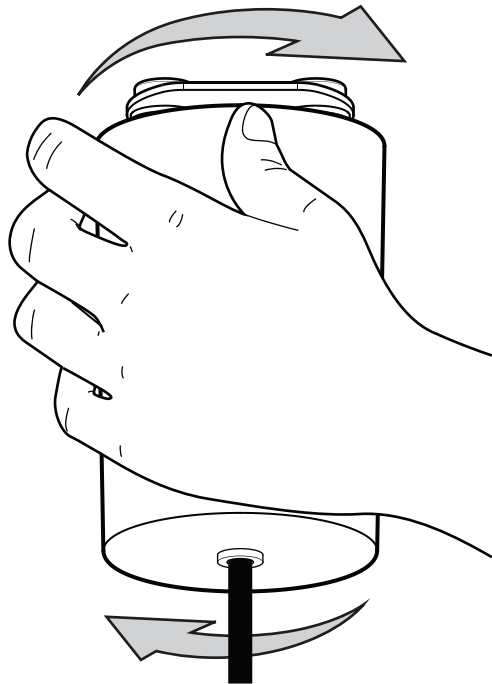
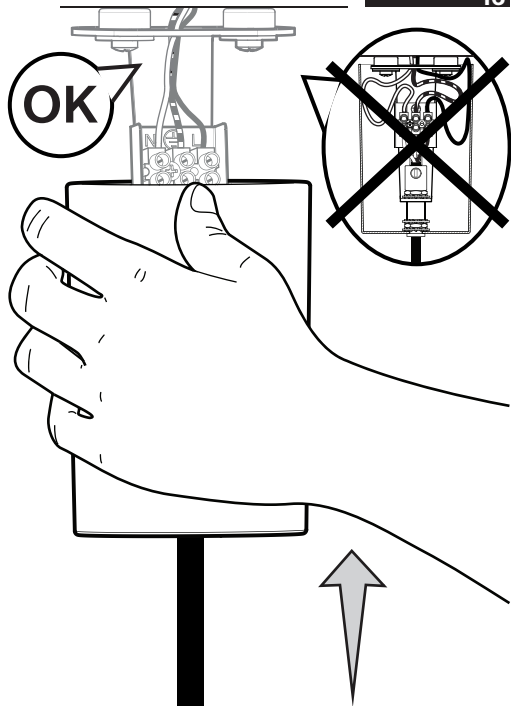


14

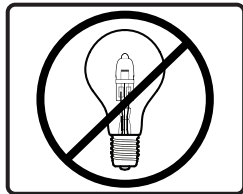
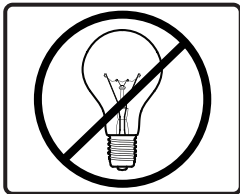
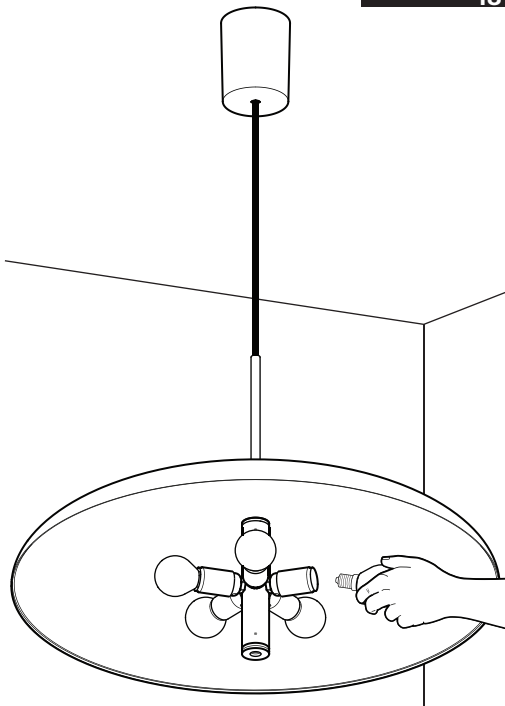


35 mm

5 mm  
25 mm

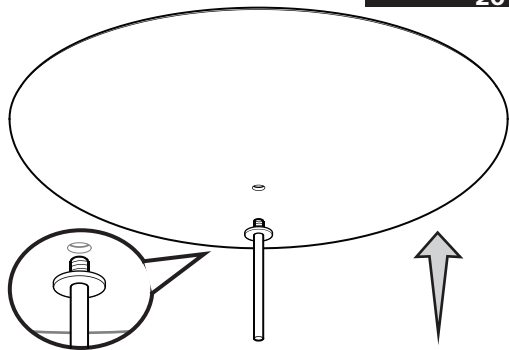




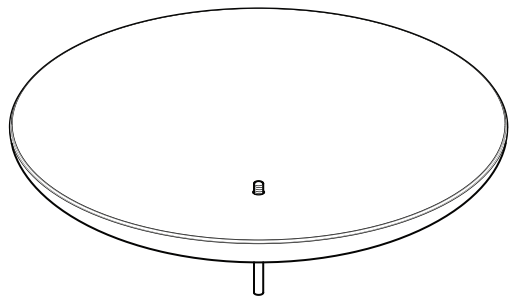


**6W LED  
E 14 Opaline  
220-240 V**

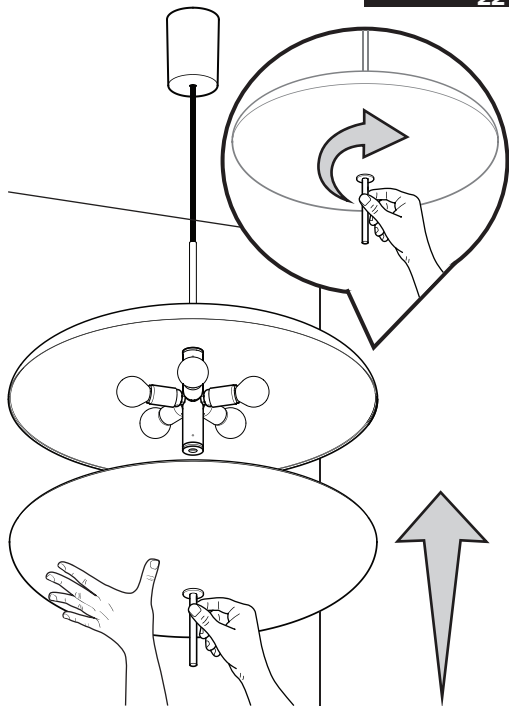
20

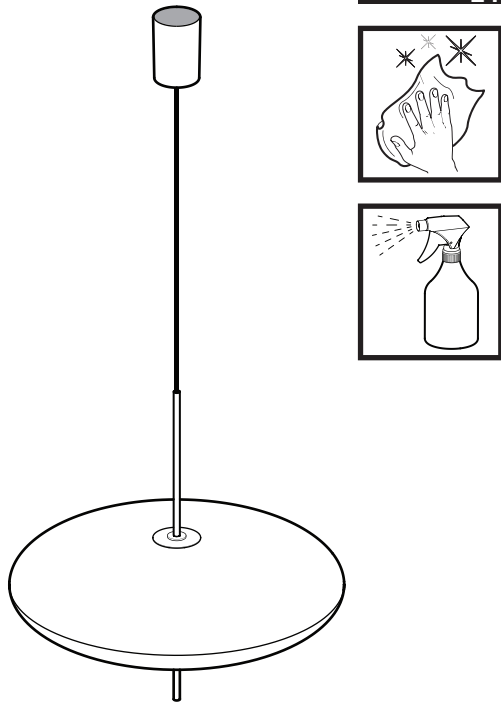
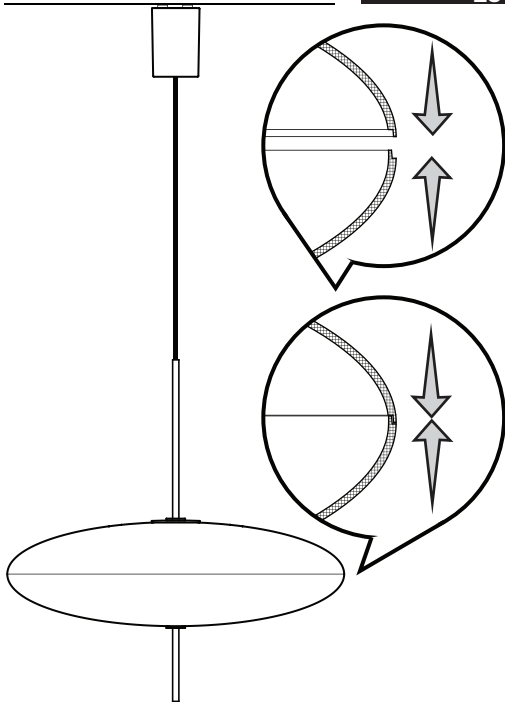


21



22







**astep**<sup>®</sup>

Vermundsgade 40B ST  
2100 Copenhagen Ø  
Denmark

+45 70 70 50 01

[www.astep.design](http://www.astep.design)