

VENICEM

italy

KITAMI WALL design Massimo Tonetto

Wall lamp with diffused light. Matte black nickel, polished black nickel, polished gold and light burnished brass structure and satinated glass diffusers.



VENICEM

italy

KITAMI WALL

Function	Wall
Location	Interior
Light Emission	Diffused light
Light Source	4×MAX 2W G4 LED 12 VDC 200lm 2700°K - Dimmable (bulbs excluded)
Rated Voltage	110 - 120 V / 220 - 240 V
Frequency	50 - 60 Hz
Supply	Terminal block
Ballast	Dimmable ballast included

Certifications

UL/CÉ   IP20

Structure

- M04 Polished black nickel
- M05 Polished gold
- M07 Matte black nickel
- M11 Light burnished brass

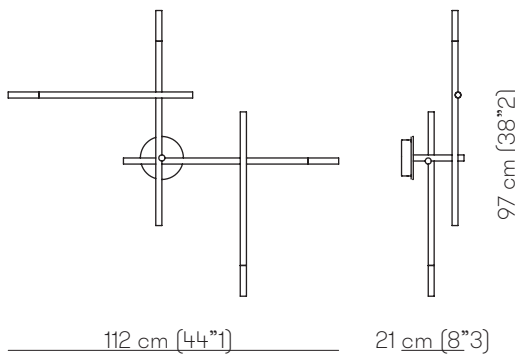
Diffuser

- S Satinated

Package	Dimensions	Net Weight	Gross Weight	Total vol.
	61,5×98,5×H.31,5cm (24"×38"×7×12"×4)	3kg	6kg	0,19 m ³

Dimensions

KITAMI WALL



KITAMI WALL SMALL

