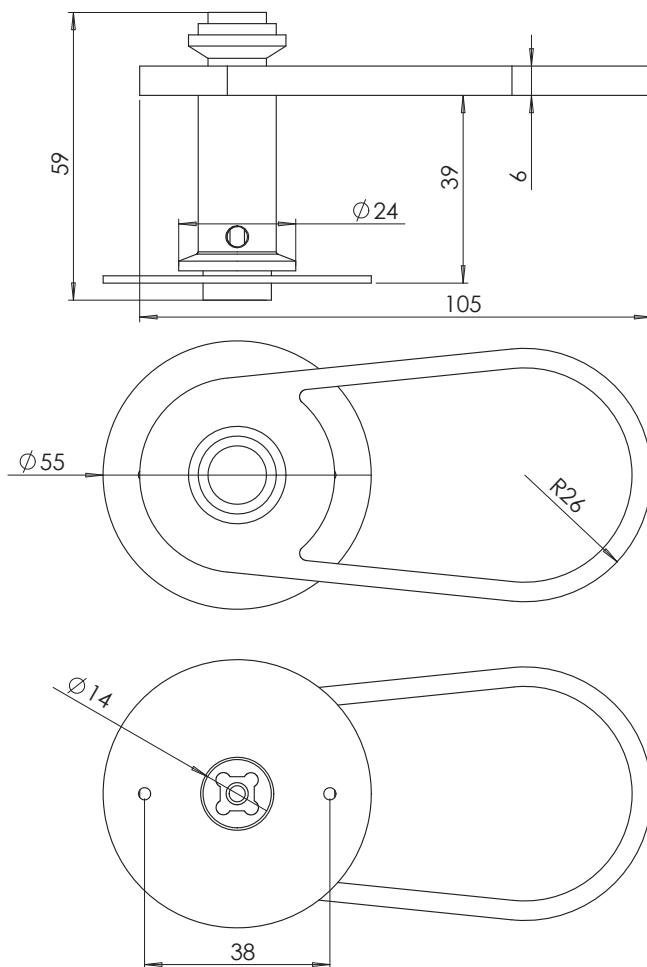


# GOUTTE LIGHT DEGRE ON BACKPLATE OVALE SMALL



## DOOR JEWELRY

We have imagined a fine MODULAR door hardware concept available in a collection of interchangeable forms, colours and finishes of quality materials.

Three solid brass pieces are machine-constructed, then adjusted and assembled by hand to perfection.

Five door handle forms are proposed: Pilule bold/Pilule light/Goutte bold/Goutte light/Olive light.

Three pin designs decorate the door handle: Degré/Molette/Bille.

The door handle may be used alone or combined with a decorative plate: collection Oval/Circé/Nuage/Parisette/Lune

Add to that CLOSET KNOBS, which can be associated with decorative plates.

The handle shown here is one of the combinations that we propose. Many others are to discover on our web site:

[www.bonnemazou-cambus.fr](http://www.bonnemazou-cambus.fr)

REFERENCE : GLD-OS

LEVER HANDLE TYPE : GOUTTE LIGHT DEGRE

BACKPLATE TYPE : OVALE SMALL

USE : INTERIOR DOOR

HANDLE FIXING : SQUARE BAR SIZE 7MM \*

BACKPLATE FIXING : SCREW \*\*

LATCH : INTERNAL LATCH \*\*\*

DOOR THICKNESS : 35MM - 45MM \*\*\*\*

MATERIAL : BRASS

WEIGHT : 220G

LEVER LENGTH : 105 MM

LEVER WIDTH : 52 MM

LEVER DEPTH : 6 MM

BACKPLATE THICKNESS : 1,5 MM

BACKPLATE DIAMETER : 55MM

PROJECTION : 39 MM

FINISHES : SEVERAL FINISHES AVAILABLE

MANUFACTURING : MADE IN PARIS

DESIGN : BONNEMAZOU-CAMBUS DESIGNERS

THIS HANDLE CAN RECEIVE SEVERAL FINISHES  
SEE TECHNICAL DATA FINISH AND PRICE

\* Our squares bar size are split milled steel to guarantee a perfect hold. To fit on locks of 8mm we offer adapters.

\*\* the fixing screws of the decorative plate are 2.5x10mm or 2x10mm solid brass screws

\*\*\* The return spring, which allows the handle to come back is included in the lock located in your door. Our handles are not heavy but it is nevertheless advisable to use quality spring locks and preferably with a 50mm axis for an aesthetic question. We recommend the brand THIRARD MONOMAX series that exists in several finishes.

\*\*\*\* The proposed squares bar size is 7x85 mm long adapted to a standard door with a thickness of 40mm. Depending on the thickness of your door we can offer different lengths.