



PRODUCT FACT SHEET > LIGHTING > KIZU TABLE LAMP SMALL



KIZU TABLE LAMP SMALL

The iconic Kizu Table Lamp expands its weightless balancing act with the addition of a little sibling and a new finish. For those intimate spaces, the new Kizu Small Table Lamp provides the perfect measure of sculptural form and soft illumination. While the addition of a black marble base to the whole family further highlights the kissing point between bold form and floating radiance.

About the designer Lars Tornøe

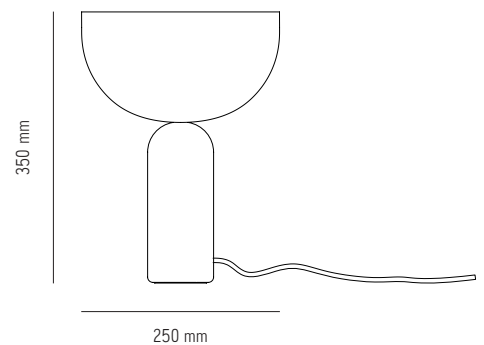
Norwegian design Lars Tornøe works across the areas of furniture and product design with a sculpted simplicity. His work is understated but bold. Having graduated from the Bergen Academy of Art and Design in 2006, Lars has been named Norwegian Designer of the Year and had his work exhibited from Stockholm to Seoul.

| EAN NO | ITEM NO | VARIATION |
|---------------|---------|-------------------------------|
| 5712826204207 | 20420 | White Marble w. White Acrylic |
| 5712826204214 | 20421 | Black Marble w. White Acrylic |



SPECIFICATION

| | |
|--------------------------|---|
| PRODUCT NAME | KIZU TABLE LAMP |
| DESIGNER | LARS TORNØE |
| YEAR | 2018 |
| CATEGORY | LIGHTING |
| TYPE | TABLE LAMP |
| MATERIAL | MARBLE, ACRYLLIC |
| COLOR / VARIATION | WHITE MARBLE W. WHITE ACRYLIC/BLACK MARBLE W. WHITE ACRYLIC |
| PRODUCT DIMENSIONS | H: 350 X Ø: 250 MM |
| PACKAGING DIMENSIONS | 320 X 320 X 446 MM |
| CORD LENGTH | 1800 MM (INCL. DIMMABLE SWITCH 300 MM FROM LAMP BASE) |
| WEIGHT (INCL. PACKAGING) | 4,25 KG |
| LIGHT SOURCE | E14, LED MAX 7W (220-240V~50/60 HZ) |
| BULB | NOT INCLUDED |
| CERTIFICATION | CE, CLASS II, IP20 |
| CONTRY OF ORIGION | CHINA |
| MASTERPACKAGING | 1 |



CLEANING INSTRUCTIONS/ MAINTENANCE & CARE

Turn off the electricity before cleaning the lamp. Wipe the lamp with a soft dry or moist cloth. Do not use any abrasive cleaning tools, and never use strong cleaning agents such as household glass cleaner, white spirit or turpentine.

SAFETY PRECAUTIONS/ ATTENTION

The Kizu Table Lamp is carefully handcrafted, and therefore every item is unique. It may occur different expression in the material and surface, with smaller marks and minor deviations. The lamp is only intended for indoor use, and consult a professionally qualified electrician if any doubt. Only use approved light bulb and following guidance - 220-240V~ 50/60Hz, E27, LED 11W.



PRODUCT FACT SHEET > LIGHTING > KIZU TABLE LAMP SMALL

WHITE MARBLE W. WHITE ACRYLIC



BLACK MARBLE W. WHITE ACRYLIC

