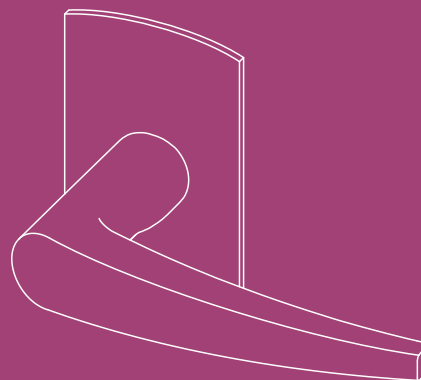




## Annelise Bjørner



Item number	Description	Center measurement	Roses	Spindle	Door thickness	Material	Surface	Pack size
12411601011	Lever handle		w/o rose	8 x 8 mm	35 - 65 mm	Brass	Polished	Set
12411801999	Lever handle		Solid - 45 x 75 mm	8 x 8 mm	35 - 65 mm	Brass	Polished	Set
12411701001	Lever handle	cc 30/38 mm	Snap on cover	8 x 8 mm	35 - 65 mm	Brass	Polished	Set
12411801010	Lever handle		F17S*	8 x 8 mm	35 - 65 mm	Brass	Polished	Set

\* Ready to order Q1 2010

Item number	Description	Model	Variant	Lever handle placement	Distance (X)	Hight	Width	Thickness	Material	Surface	Pack size
12412101055	Back plate	w/nylon bearing	w/key hole	From top 35 mm	72 mm	150 mm	45 mm	2 mm	Brass	Polished	Pc.
12412201017	Back plate	w/nylon bearing	w/o cyl. hole	From bottom 75 mm		225 mm	45 mm	2 mm	Brass	Polished	Pc.
12412201092	Back plate	w/nylon bearing	w/oval cyl. hole	From bottom 75 mm	105 mm	225 mm	45 mm	2 mm	Brass	Polished	Pc.
12412201131	Back plate	w/nylon bearing	w/thumb turn	From bottom 75 mm	105 mm	225 mm	45 mm	2 mm	Brass	Polished	Pc.
12412201149	Back plate		w/2 x hole f/cyl. ring		105 mm	225 mm	45 mm	2 mm	Brass	Polished	Pc.
12412201219	Back plate	w/nylon bearing	w/o cyl. hole	From bottom 75 mm		225 mm	45 mm	2 mm	Brass	Polished	Pc.
12412201222	Back plate	w/nylon bearing	w/oval cyl. hole	From bottom 75 mm	105 mm	225 mm	45 mm	2 mm	Brass	Polished	Pc.
12412201233	Back plate	w/nylon bearing	w/oval cyl. hole, w/thumb turn	From bottom 75 mm	105 mm	225 mm	45 mm	2 mm	Brass	Polished	Set
12412301003	Back plate	w/nylon bearing	w/hole f/cyl. ring	From bottom 75 mm	111 mm	225 mm	45 mm	2 mm	Brass	Polished	Pc.
12412301255	Back plate	w/nylon bearing	w/thumb turn, w/hole f/cyl. ring	From bottom 75 mm	111/105 mm	225 mm	45 mm	2 mm	Brass	Polished	Set

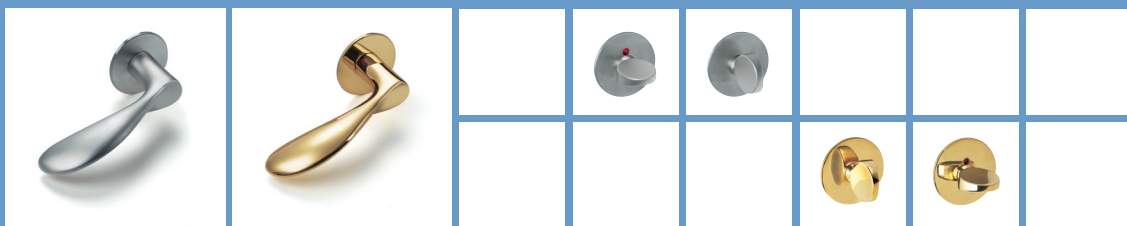
Item number	Description	Variant	Center measurement	Dimension	Definition	Hole for screws	Material	Surface	Pack size	Comments
12412001115	Rose	Solid		45 x 75 mm	Rose f/lever handle, w/holes f/wood screws	M4 or csk. 3,0 mm	Brass	Polished	Pc.	Delivered w/o screws
12403101218	Key escutcheon	Snap on cover	cc 27/38 mm	Ø50			Brass	Polished	Pc.	Delivered w/o screws

Item number	Description	Center measurement	Roses	Door thickness	For lock case	Material	Surface	Pack size
06201201207	Toilet indicator	cc 30 mm	Solid	34 - 45 mm	ASSA	Brass	Polished	Set
06201201380	Toilet indicator	cc 38 mm	Snap on cover	34 - 45 mm	ASSA	Brass	Polished	Set

Item number	Description	Center measurement	Roses	For lock case	Material	Surface	Pack size
06192601108	Thumb turn	cc 30 mm	Solid	5 mm spindle, 90°	Brass	Polished	Pc.



## Arne Jacobsen – Accessories



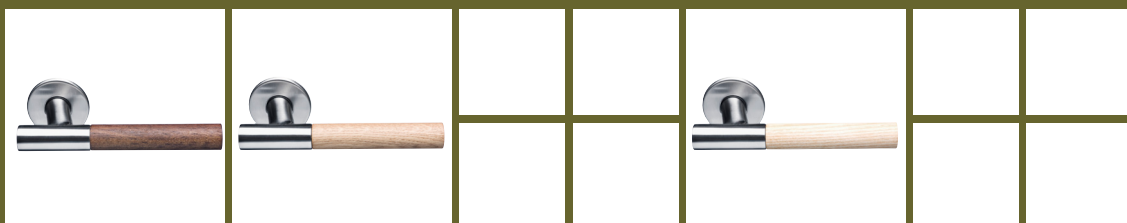
## PLH Architects – Accessories



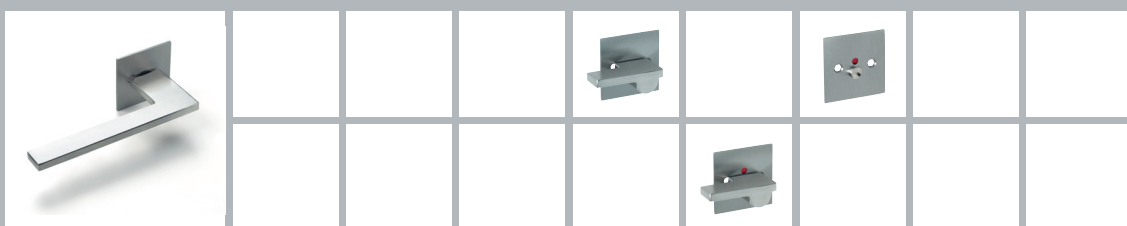
## Jean Nouvel – Accessories



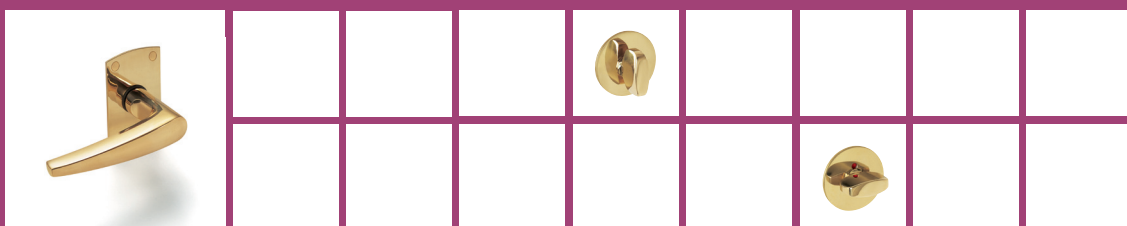
## Aarstiderne Architects – Accessories



## schmidt hammer lassen design – Accessories



## Annelise Bjørner – Accessories



# General information

This information sheet has been developed with the purpose of providing guidance to building contractors, owners and other users regarding the storage, maintenance and cleaning of products. Having chosen to apply high quality products, it is critical that these products are stored and maintained in the correct manner to ensure optimum benefit for their useful lifetime.

## Storage

All products are carefully packed prior to delivery to safeguard against damage during transport. Once the parts have reached their destination it is vital that all fittings are stored in a dry place until mounting. When they have been mounted, care must be taken to ensure that all fittings are protected correctly until the construction work has been finalized.

## Maintenance

Maintenance – Lever handles

If the instructions are followed carefully when mounting lever handles, there will be no need for adjustment. However, the tension of the fastening of all lever handles should be checked in connection with the annual inspections. Any fastenings that have come loose must be tightened.

Maintenance – Pull handles

Pulls should be checked to ensure correct mounting of the fittings and tightening of any neck screws used. If it is possible to move the pull, such movements will damage the surface of the door and cause instability of the pull leading to malfunctioning during use.

## Cleaning

Cleaning procedure

- It is essential to clean stainless steel and brass regularly.
- Start by washing the surface with soap water or a mild cleaning agent.
- Do not forget to rinse off the cleaning agent with pure water.
- As a final step, dry/polish the object using a soft, dry cloth. In aggressive environments, such as off-shore or maritime environments and bathing or swimming facilities, it is particularly important to ensure regular cleaning.

## Discoloration

Any spots that may appear on the surface are not caused by the stainless steel, on the contrary they are produced by impurities in the water, air or cleaning agents that have been insufficiently rinsed off the surface.

- Spots can be avoided by careful cleaning.
- Any discolorations or spots can be removed using a polished agent for stainless steel or liquid scouring powder.
- Again, as a final step rinse carefully with pure water and then polish the object using a soft, dry cloth.

Do NOT use the following!

- Scouring powder.
- Steel wool.
- Highly abrasive materials.

## Surface

Why maintain the surfaces?

With today's environments the demands to the material properties of a product are considerable. Products must be able to withstand diverse atmospheric conditions, such as heavy air pollution, high humidity regimes and maritime environments. In addition to this, products must allow cleaning with effective cleaning agents and, from an optimal point of view, offer non-allergic properties.

## Characteristics of stainless steel

Stainless steel is well known for the following two properties; resistance to corrosion and modest need for maintenance. The corrosion resistance of stainless steel is provided by a thin hardwearing film of a passive but stable chromoxide. This film is inactive, invisible, with extremely adhesive properties and self repairing so that the steel is given the best possible protection. If the film suffers damage or is removed, it is automatically restored provided the oxygen in the atmosphere is not prevented from reaction with the chrome in the steel. To ensure this it is necessary to clean regularly. The purpose of the cleaning is to restore the appearance of the original surface, protect against corrosion and ensure hygienic conditions.

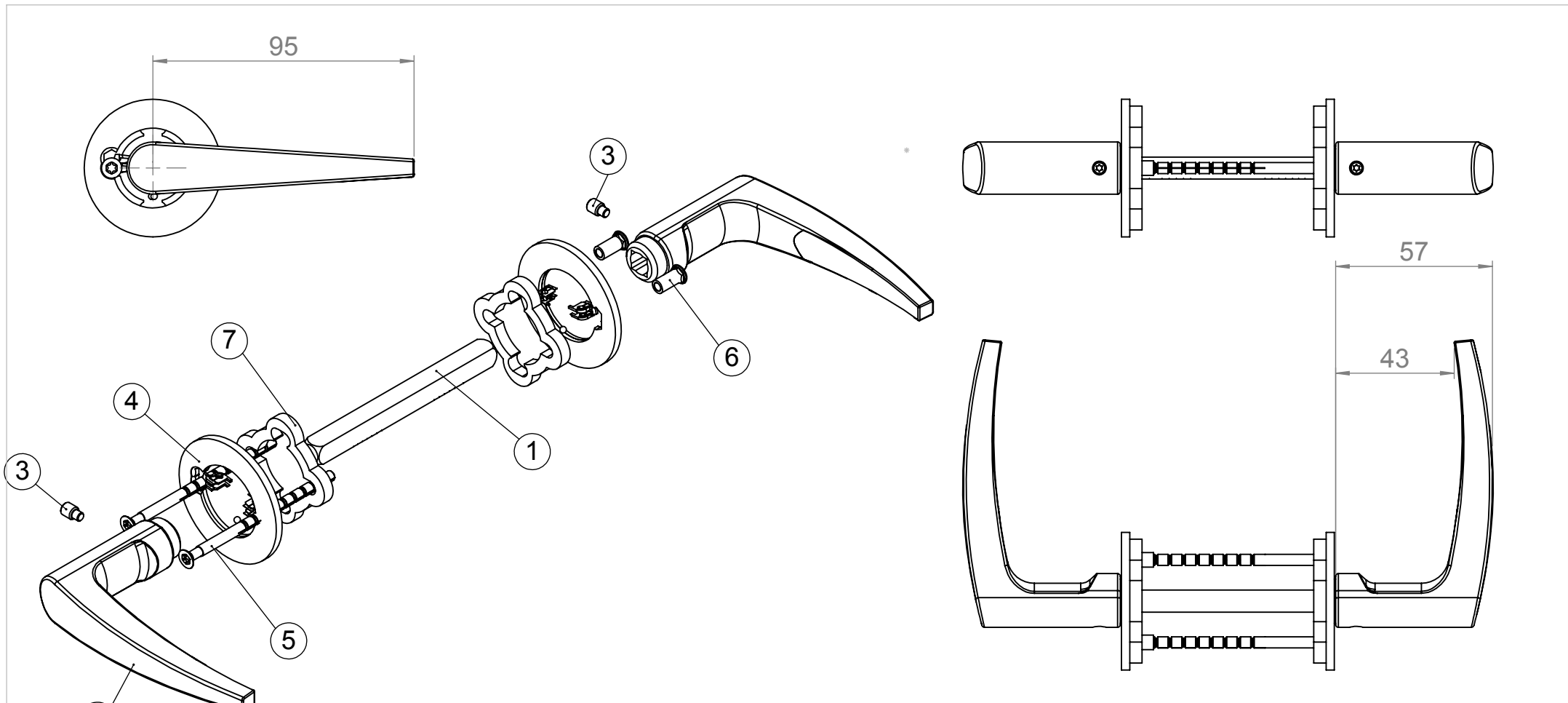
## Characteristics of brass and nickel plated

Lever handles made of brass with a polished or a nickel plated surface are more affected by high variations of temperature and environment than lever handles made of stainless steel, as brass is a more soft material. Lever handles with a nickel plated surface have a harder surface than the polished brass lever handles, which can cause cracks in the surface when exposed for high variations of temperature and environment fluctuations. For lever handles made of brass or stainless steel will the same rules apply regarding cleaning.

## Characteristics of wood

The wooden lever handles have during the production been "sealed" with a thin PU lacquer that penetrates into the grains. The PU lacquer is mixed oil on a turpentine base which hardens and gives a hard-wearing surface. Hardness in end-wood; 78-83 Mpa.

By daily use and exposure to all kinds of weather, the lever handle can in time look a bit "worn out". This can be fixed with an aftercare by regular vegetable oil that is put on with a soft cloth. The surplus of oil need to be dried off. (In case the layer of oil is used up and the lever handles has not been given aftercare, the wood will still be fairly protected due to the original sealing).



Pos No.	Part Number	Description	QTY.
1	D 1440	Pin 8 x 8 x 92	1
2	D 4218	Door Handel	2
3	D 1728	Grub screw M5x8,3mm TX10	2
4	D 4236	Solid Rose c/c 30 mm	2
5	D 710	Sectioned bolt, M4x75mm.	2
6	D 287	bushing for sectioned bolt, M4	2
7	D 1401	Guide blok	2

Subject:

## Door Handel Annelise Bjørner 30 c/c

category: Lever Handle

Sign.: tgr

Date: 6/9-2010

Approved by:

Appr. date:

Dimension without tolerance, follows DS/ISO 2768-mK.  
This drawing is the property of d line a/s, and is not to be copied or shown to third parties.

Latest release.:

Status:

Cat 5

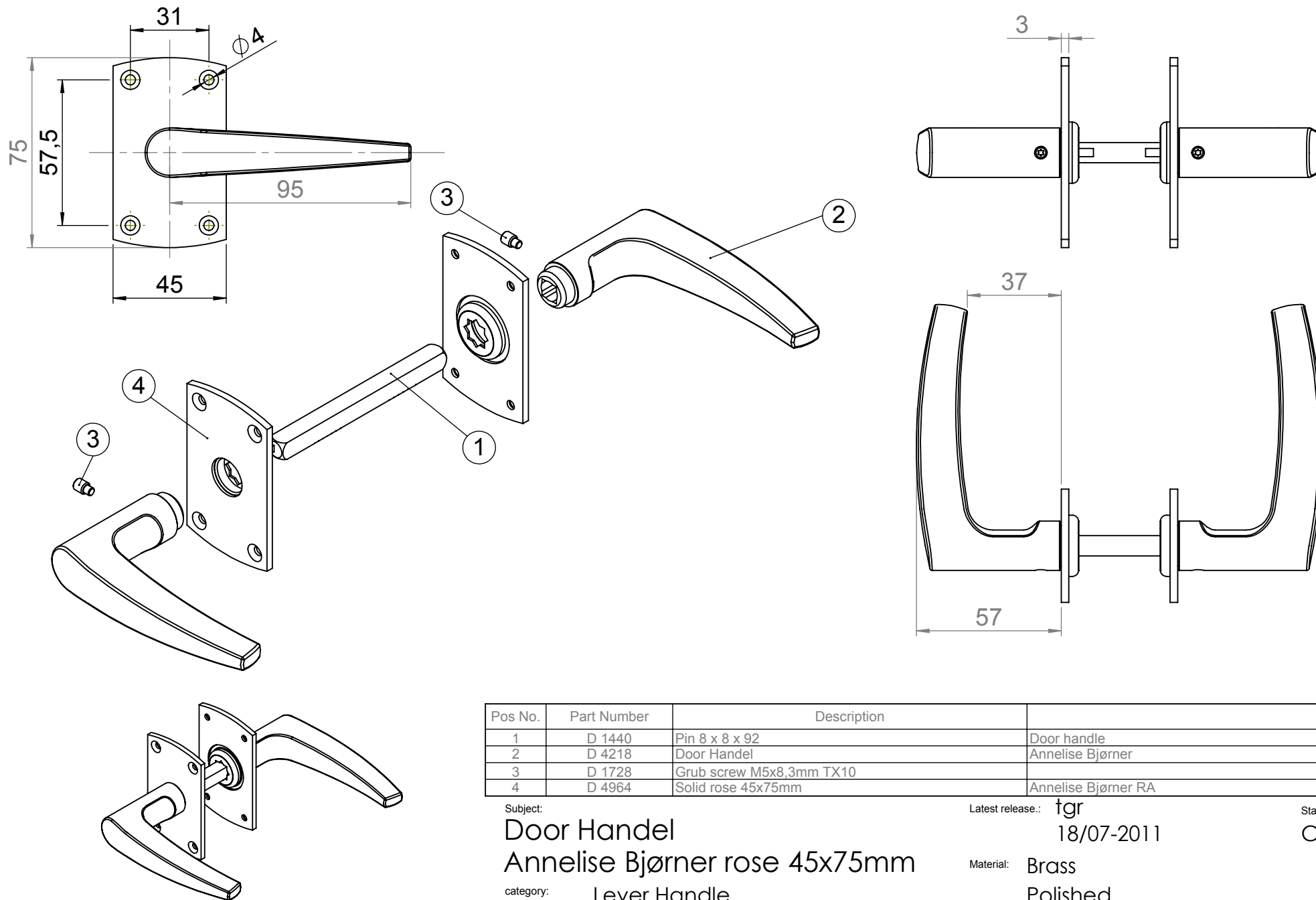
Material: Brass

Polished

Drawing no.:

**12.4117.01.030**

**d line**  
PARTS MANUFACTURING



Pos No.	Part Number	Description		QTY.
1	D 1440	Pin 8 x 8 x 92	Door handle	1
2	D 4218	Door Handel	Annelise Bjørner	2
3	D 1728	Grub screw M5x8,3mm TX10		2
4	D 4964	Solid rose 45x75mm	Annelise Bjørner RA	2

Subject: Door Handel  
 Annelise Bjørner rose 45x75mm

category: Lever Handle

Sign.: tgr Date: 25/04-2006

Approved by: Appr. date:

Dimension without tolerance, follows DS/ISO 2768-mK.  
 This drawing is the property of d line a/s, and is not to be copied or shown to third parties.

Latest release.: tgr  
 18/07-2011

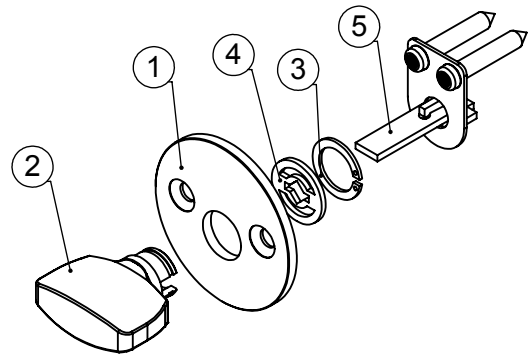
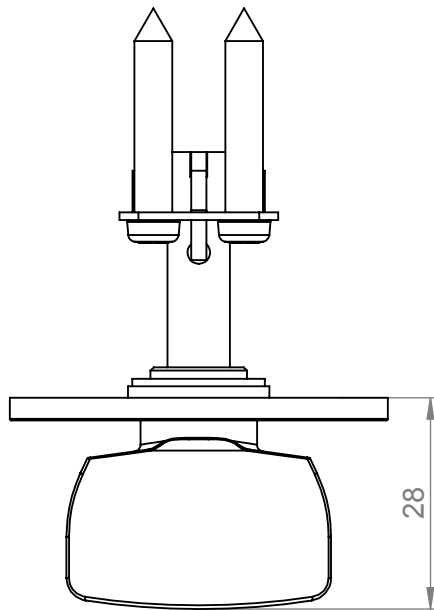
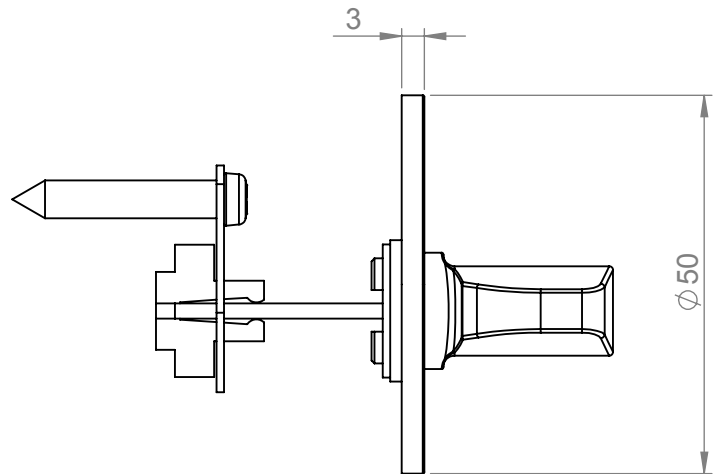
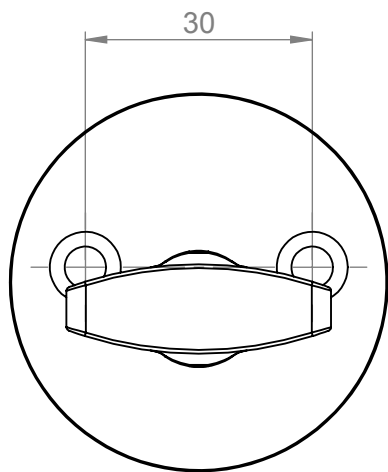
Status: Cat 2

Material: Brass  
 Polished

Drawing no.:

**12.4118.01.999**





Pos No.	Part Number	Description	QTY.
1	D 5006	Mounting plate for snip turn	1
2	D 4260	Anne Lise Bjørner snip turn	1
3	AV 14	Circlip ring for shaft	1
4	D 67	Guide washer	1
5	D 4984	Crosspin 35mm w Accessories	1

Subject: Snip turns

Latest release.: tgr  
26/04-2011

Status: Cat 5

category: Snip Turns

Material: Brass  
Polished

Sign.: ljn

Date: 15/08-2002

Drawing no.:

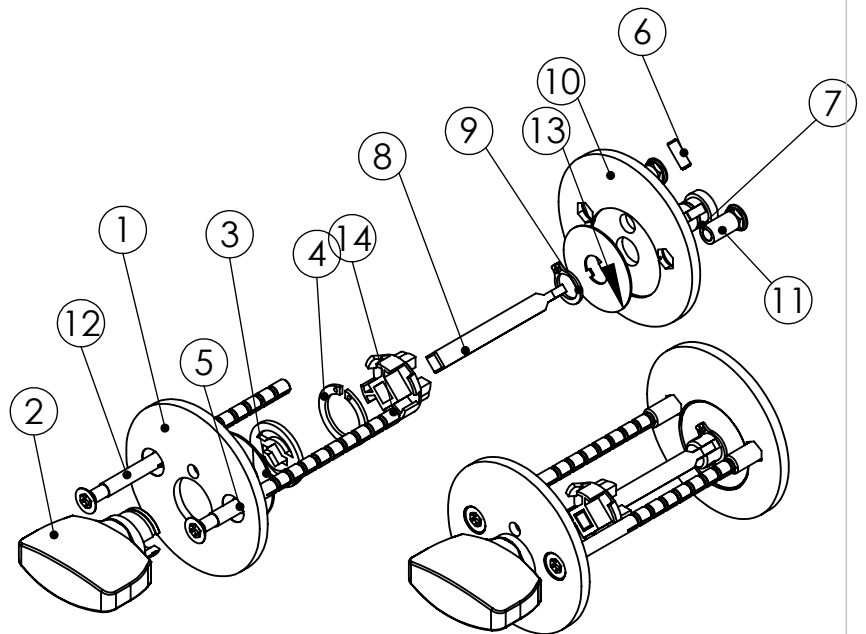
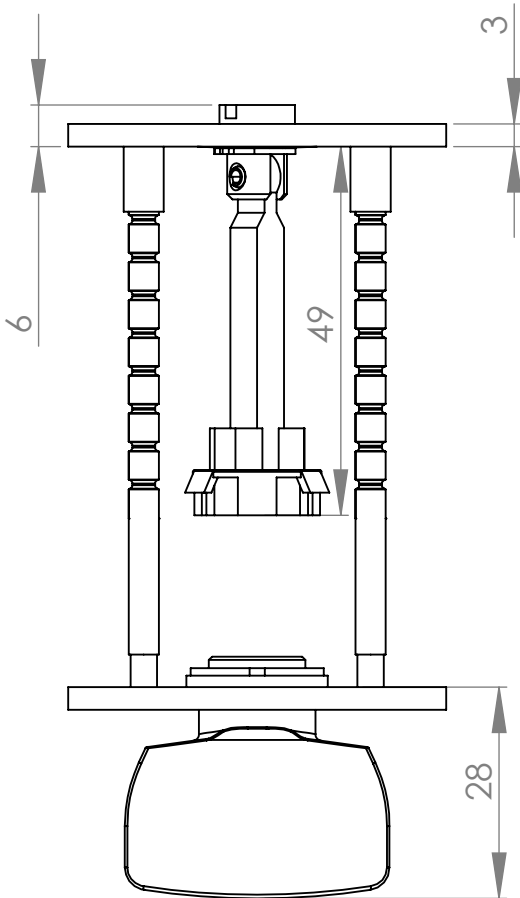
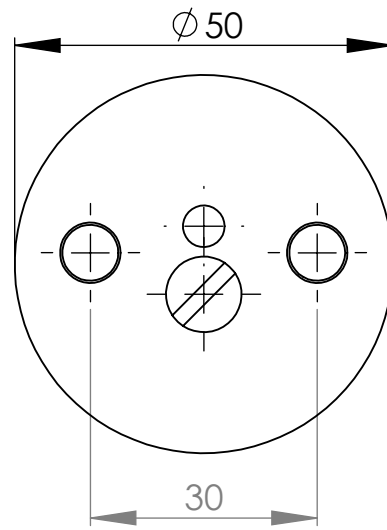
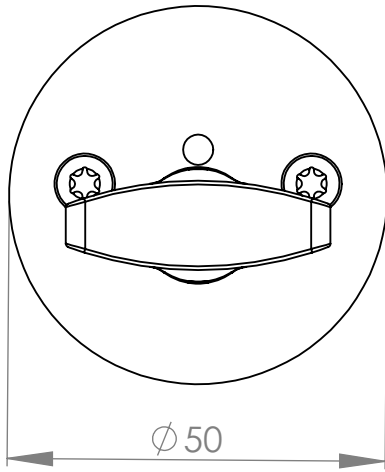
Approved by:

Appr. date:

**06.1926.01.108**

Dimension without tolerance, follows DS/ISO 2768-mK.  
This drawing is the property of d line a/s, and is not to be copied or shown to third parties.





Pos No.	Part Number	Description	QTY.
1	D 5056	Rose for snip turn/indicator.	1
2	D 4260	Anne Lise Bjørner snip turn	1
3	D 67	Guide washer	1
4	AV 14	Circlip ring for shaft	1
5	D 3374	Marker washer, type 32	1
6	D 72	Tuberivet Spannstifte	1
7	D 3419	Axeltap	1
8	D 73	Pin for axeltap	1
9	DIN 471-A8	Circlip ring	1
10	D 5057	Rose for indicator.	1
11	D 287	bushing for sectioned bolt, M4	2
12	D 710	Sectioned bolt, M4x75mm.	2
13	D 3404	Marker washer, type 51	1
14	D 972	Guide for crosspin	1

Subject: Solid toilet indicator AB 34-48mm  
c/c 30mm 5V90

category: Toilet Indicator

Sign.: tpm Date: 19/06-2006

Approved by: Appr. date:

Dimension without tolerance, follows DS/ISO 2768-mK.  
This drawing is the property of d line a/s, and is not to be copied or shown to third parties.

Latest release.: tgr  
03/05-2011

Status: Cat 5

Material: Brass  
Polished

Drawing no.:

06.2012.01.207

