

# PRODUCT DOCUMENTATION



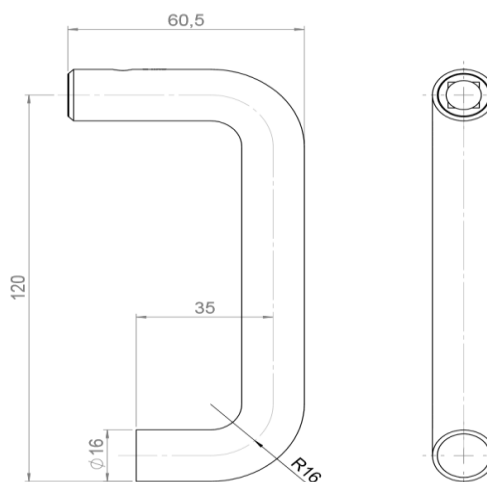
**Product Name:** Lever handle 16U half set 8x8 mm, w/o rose

**Article Number:** 14.1210.02.907  
*Satin stainless steel*  
16.1210.01.907  
*Polished stainless steel*

**Photo:**



**Drawing:**



**Product Information:**

Material: AISI 316 stainless steel  
Surface finish: Satin 320 grain or polished  
Material thickness/radius:  $\varnothing$ 16 mm  
Height: 16 mm      Width: 120 mm      Depth: 60.5 mm

**Product Specification:**

d line 16 mm U shaped lever handle, for 8x8 mm spindle, AISI 316 satin stainless steel.

d line 16 mm U shaped lever handle, for 8x8 mm spindle, AISI 316 polished stainless steel.

d line products are always produced in the highest quality stainless steel AISI 316. d line is a simple and functional design, but the minimalistic exterior hides advanced technic that ensures the hardware's strenght and durability for many years.

Certificate: EN 1906, Class 4  
Warranty: 20 years (non-mechanical/-electronic parts)

**Spare Parts/Accessories:**

Wide range of spindles and screws available  
14.9701.02.016      Crub screw M5x6,8  
14.2935.00.089      Fixing tool;

**Related Products:**

**Mounting:**

See instruction supplied with the product

**Packing:**

1 piece in a bag, 10 bags per box

**Maintenance:**

Wash down with mild detergent, rinse off with clean water, and dry off with soft dry cloth. Please do not use scouring powders, steel wool or agressive cleaning products as these may damage the surface. If spots appear on the surface it is not due to the stainless steel, but to impurities in the environment or the use of agressive cleaning agents.

**Environment:**

No environmental risk and no risk of fire.

# PRODUCT DOCUMENTATION

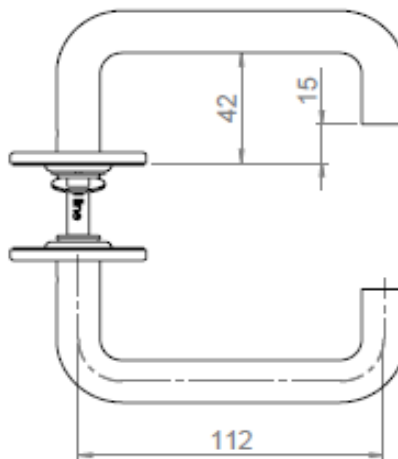


**Product Name:** Lever handle 16 U w/solid roses

**Article Number:** 14.1212.02.010  
*Satin stainless steel*  
16.1212.01.010  
*Polished stainless steel*

**Photo:**

**Drawing:**



**Product Information:**

Material: AISI 316 stainless steel  
Surface finish: Satin 320 grain or polished  
Material thickness/radius:  $\varnothing$ 16 mm  
Height: 50 mm      Width: 145 mm      Depth: 58 mm

**Product Specification:**

d line 16 mm U shaped door handle w/ball bearing solid roses cc38 mm, 8x8 mm spindle, for doors 33-59 mm, AISI 316 sss

d line 16 mm U shaped door handle w/ball bearing solid roses cc38 mm, 8x8 mm spindle, for doors 33-59 mm, AISI 316 pss

Certificate: EN 1906, Class 4  
Warranty: 20 years (non-mechanical/-electronic parts)

d line products are always produced in the highest quality stainless steel AISI 316. d line is a simple and functional design, but the minimalistic exterior hides advanced technic that ensures the hardware's strenght and durability for many years.

**Spare Parts/Accessories:**

14.9701.02.016      Crub screw M5x6,8  
14.2961.74.107      Section bolt set M4x110 with bush  
14.2810.92.092      Spindle for door 33-59 mm  
14.9767.00.105      TX10 tool kit

**Related Products:**

14.1216.02.017      16 mm U lever w/snap on covers

**Mounting:**

See instruction supplied with the product

**Packing:**

1 pair in a bag, 5 bags per box

**Maintenance:**

Wash down with mild detergent, rinse off with clean water, and dry off with soft dry cloth. Please do not use scouring powders, steel wool or aggressive cleaning products as these may damage the surface. If spots appear on the surface it is not due to the stainless steel, but to impurities in the environment or the use of aggressive cleaning agents.

**Environment:**

No environmental risk and no risk of fire.

# PRODUCT DOCUMENTATION

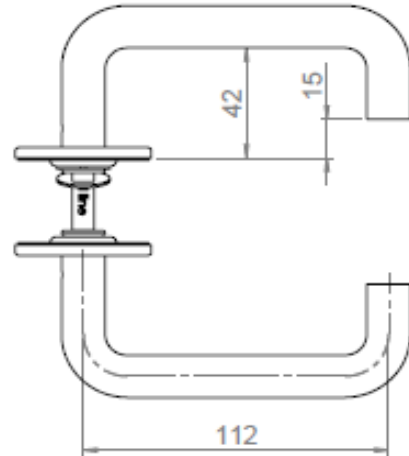


**Product Name:** Lever handle 16 U w/solid roses

**Article Number:** 14.1211.02.014  
*Satin stainless steel*  
16.1211.01.014  
*Polished stainless steel*

**Photo:**

**Drawing:**



**Product Information:**

Material: AISI 316 stainless steel  
Surface finish: Satin 320 grain or polished  
Material thickness/radius:  $\varnothing$ 16 mm  
Height: 50 mm      Width: 145 mm      Depth: 58 mm

**Product Specification:**

d line 16 mm U shaped door handle w/ball bearing solid roses cc30 mm, 8x8 mm spindle, for doors 33-59 mm, AISI 316 sss

d line 16 mm U shaped door handle w/ball bearing solid roses cc30 mm, 8x8 mm spindle, for doors 33-59 mm, AISI 316 pss

Certificate: EN 1906, Class 4  
Warranty: 20 years (non-mechanical/-electronic parts)

d line products are always produced in the highest quality stainless steel AISI 316. d line is a simple and functional design, but the minimalistic exterior hides advanced technic that ensures the hardware's strenght and durability for many years.

**Spare Parts/Accessories:**

14.9701.02.016      Crub screw M5x6,8  
14.2961.74.107      Section bolt set M4x110 with bush  
14.2810.92.092      Spindle for door 33-59 mm  
14.9767.00.105      TX10 tool kit

**Related Products:**

14.1216.02.017      16 mm U lever w/snap on covers

**Mounting:**

See instruction supplied with the product

**Packing:**

1 pair in a bag, 5 bags per box

**Maintenance:**

Wash down with mild detergent, rinse off with clean water, and dry off with soft dry cloth. Please do not use scouring powders, steel wool or aggressive cleaning products as these may damage the surface. If spots appear on the surface it is not due to the stainless steel, but to impurities in the environment or the use of aggressive cleaning agents.

**Environment:**

No environmental risk and no risk of fire.

# PRODUCT DOCUMENTATION



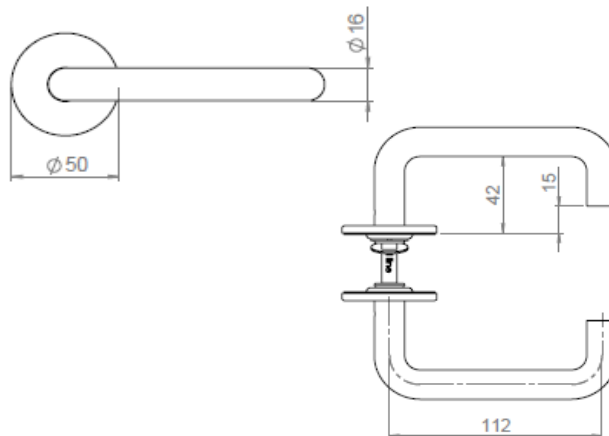
**Product Name:** Lever handle 16 U w/snap on roses

**Article Number:** 14.1216.02.017  
*Satin stainless steel*  
16.1216.01.017  
*Polished stainless steel*

**Photo:**



**Drawing:**



**Product Information:**

Material: AISI 316 stainless steel  
Surface finish: Satin 320 grain or polished  
Material thickness/radius:  $\varnothing 16$  mm  
Height: Width: Depth:  
50 mm 145 mm 58 mm

**Product Specification:**

d line 16 mm U shaped door handle w/ball bearing snap on cover roses cc30/38 mm, 8x8 mm spindle, for doors 33-59 mm, AISI 316 sss

d line 16 mm U shaped door handle w/ball bearing snap on cover roses cc30/38 mm, 8x8 mm spindle, for doors 33-59 mm, AISI 316 pss

Certificate: EN 1906, Class 4  
Warranty: 20 years (non-mechanical/-electronic parts)

d line products are always produced in the highest quality stainless steel AISI 316. d line is a simple and functional design, but the minimalistic exterior hides advanced technic that ensures the hardware's strenght and durability for many years.

**Spare Parts/Accessories:**

14.9701.02.016 Crub screw M5x6,8  
14.2961.74.107 Section bolt set M4x110 with bush  
14.2810.92.092 Spindle for door 33-59 mm  
14.9767.00.105 TX10 tool kit  
14.2930.02.002 Snap on cover tool

**Related Products:**

14.1211.02.014 16 mm U lever w/solid roses cc30 mm  
14.1212.02.010 16 mm U lever w/solid roses cc38 mm  
One or the other - depending from the lockcase

**Mounting:**

See instruction supplied with the product

**Packing:**

1 pair in a bag, 5 bags per box

**Maintenance:**

Wash down with mild detergent, rinse off with clean water, and dry off with soft dry cloth. Please do not use scouring powders, steel wool or aggressive cleaning products as these may damage the surface. If spots appear on the surface it is not due to the stainless steel, but to impurities in the environment or the use of aggressive cleaning agents.

**Environment:**

No environmental risk and no risk of fire.

# PRODUCT DOCUMENTATION



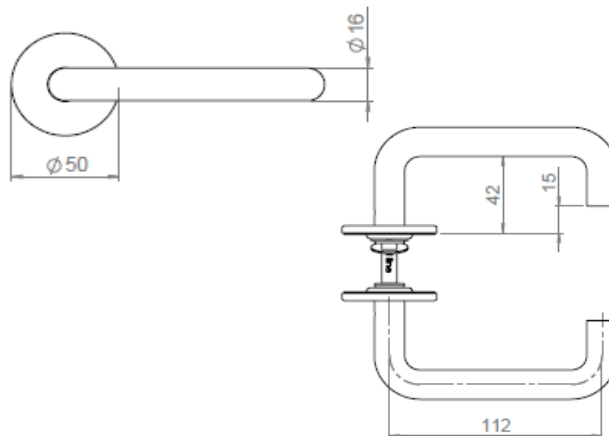
**Product Name:** Lever handle 16 U w/snap on roses

**Article Number:** 14.1216.02.025  
*Satin stainless steel*  
16.1216.01.025  
*Polished stainless steel*

**Photo:**



**Drawing:**



**Product Information:**

Material: AISI 316 stainless steel  
Surface finish: Satin 320 grain or polished  
Material thickness/radius:  $\varnothing 16$  mm  
Height: Width: Depth:  
50 mm 145 mm 58 mm

**Product Specification:**

d line 16 mm U shaped door handle w/ball bearing snap on cover roses cc30/38 mm, 8x8 mm spindle, for doors 59-85 mm, AISI 316 sss

d line 16 mm U shaped door handle w/ball bearing snap on cover roses cc30/38 mm, 8x8 mm spindle, for doors 59-85 mm, AISI 316 pss

Certificate: EN 1906, Class 4  
Warranty: 20 years (non-mechanical/-electronic parts)

d line products are always produced in the highest quality stainless steel AISI 316. d line is a simple and functional design, but the minimalistic exterior hides advanced technic that ensures the hardware's strenght and durability for many years.

**Spare Parts/Accessories:**

14.9701.02.016 Crub screw M5x6,8  
14.2961.74.107 Section bolt set M4x110 with bush  
14.2810.92.116 Spindle for door 59-85 mm  
14.9767.00.105 TX10 tool kit  
14.2930.02.002 Snap on cover tool

**Related Products:**

14.1211.02.020 16 mm U lever w/solid roses cc30 mm  
14.1212.02.020 16 mm U lever w/solid roses cc38 mm  
One or the other - depending from the lockcase

**Mounting:**

See instruction supplied with the product

**Packing:**

1 pair in a bag, 5 bags per box

**Maintenance:**

Wash down with mild detergent, rinse off with clean water, and dry off with soft dry cloth. Please do not use scouring powders, steel wool or aggressive cleaning products as these may damage the surface. If spots appear on the surface it is not due to the stainless steel, but to impurities in the environment or the use of aggressive cleaning agents.

**Environment:**

No environmental risk and no risk of fire.

# PRODUCT DOCUMENTATION



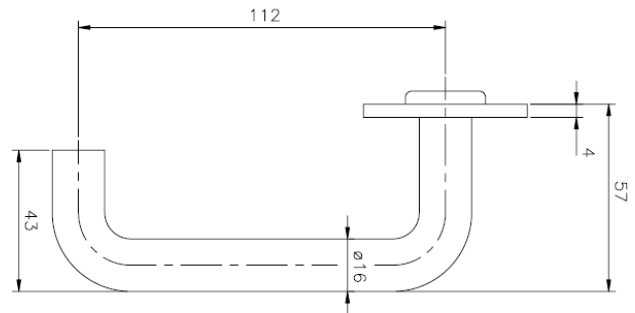
**Product Name:** Lever handle 16U half, 8x8 mm snap on cover CC30/38 mm

**Article Number:** 14.1216.02.904  
*Satin stainless steel*  
16.1216.01.904  
*Polished stainless steel*

**Photo:**



**Drawing:**



**Product Information:**

Material: AISI 316 stainless steel  
Surface finish: Satin 320 grain or polished  
Material thickness/radius:  $\varnothing 16$  mm  
Height: 50 mm      Width: 137 mm      Depth: 57 mm

**Product Specification:**

d line 16 mm U shaped lever handle w/ball bearing snap on cove rose cc 30/38 mm for 8x8 mm spindle, AISI 316 satin stainless steel.

d line 16 mm U shaped lever handle w/ball bearing snap on cove rose cc 30/38 mm for 8x8 mm spindle, AISI 316 polished stainless steel.

Certificate: EN 1906, Class 4  
Warranty: 20 years (non-mechanical/-electronic parts)

d line products are always produced in the highest quality stainless steel AISI 316. d line is a simple and functional design, but the minimalistic exterior hides advanced technic that ensures the hardware's strenght and durability for many years.

**Spare Parts/Accessories:**

Wide range of spindles and screws available  
14.9701.02.016      Crub screw M5x6,8  
14.9767.00.105      TX10 tool kit  
14.2930.02.002      Snap on cover tool

**Related Products:**

14121602025      Lever handle 16U pair 8x8 mm, snap on cover 30/38mm,59-85mm

**Mounting:**

See instruction supplied with the product

**Packing:**

1 piece in a bag, 10 bags per box

**Maintenance:**

Wash down with mild detergent, rinse off with clean water, and dry off with soft dry cloth. Please do not use scouring powders, steel wool or aggressive cleaning products as these may damage the surface. If spots appear on the surface it is not due to the stainless steel, but to impurities in the environment or the use of aggressive cleaning agents.

**Environment:**

No environmental risk and no risk of fire.