



## Arne Jacobsen



Item number	Description	Center measurement	Roses	Spindle	Door thickness	Material	Surface	Pack size
12404074011	Lever handle 97 mm		w/o rose, w/thread	8 x 8 mm	35 - 65 mm	Brass	Nickel plated	Set
12404574003	Lever handle 97 mm		w/o rose, w/o thread	8 x 8 mm	35 - 65 mm	Brass	Nickel plated	Set
12404474030	Lever handle 97 mm	cc 30 mm	Solid, w/ball bearing	8 x 8 mm	35 - 65 mm	Brass	Nickel plated	Set
12404474038	Lever handle 97 mm	cc 38 mm	Solid, w/ball bearing	8 x 8 mm	35 - 65 mm	Brass	Nickel plated	Set
12404374001	Lever handle 97 mm	cc 30/38 mm	Snap on cover	8 x 8 mm	35 - 65 mm	Brass	Nickel plated	Set
12404874010	Lever handle 97 mm		F17S*	8 x 8 mm	35 - 65 mm	Brass	Nickel plated	Set
12405574004	Lever handle 111 mm		w/o rose, w/o thread	8 x 8 mm	35 - 65 mm	Brass	Nickel plated	Set
12405074011	Lever handle 111 mm	cc 30 mm	w/o rose, w/thread	8 x 8 mm	35 - 65 mm	Brass	Nickel plated	Set
12405474030	Lever handle 111 mm	cc 30 mm	Solid, w/ball bearing	8 x 8 mm	35 - 65 mm	Brass	Nickel plated	Set
12405474038	Lever handle 111 mm	cc 38 mm	Solid, w/ball bearing	8 x 8 mm	35 - 65 mm	Brass	Nickel plated	Set
12405374003	Lever handle 111 mm	cc 30/38 mm	Snap on cover	8 x 8 mm	35 - 65 mm	Brass	Nickel plated	Set
12405874010	Lever handle 111 mm		F17S*	8 x 8 mm	35 - 65 mm	Brass	Nickel plated	Set
12404701001	Lever handle 97 mm		w/o rose, w/o thread	8 x 8 mm	35 - 65 mm	Brass	Polished	Set
12404201030	Lever handle 97 mm	cc 30 mm	Solid, w/ball bearing	8 x 8 mm	35 - 65 mm	Brass	Polished	Set
12404201038	Lever handle 97 mm	cc 38 mm	Solid, w/ball bearing	8 x 8 mm	35 - 65 mm	Brass	Polished	Set
12404101002	Lever handle 97 mm	cc 30/38 mm	Snap on cover	8 x 8 mm	35 - 65 mm	Brass	Polished	Set
12404801010	Lever handle 97 mm		F17S*	8 x 8 mm	35 - 65 mm	Brass	Polished	Set
12405701006	Lever handle 111 mm		w/o rose, w/o thread	8 x 8 mm	35 - 65 mm	Brass	Polished	Set
12405201030	Lever handle 111 mm	cc 30 mm	Solid, w/ball bearing	8 x 8 mm	35 - 65 mm	Brass	Polished	Set
12405201038	Lever handle 111 mm	cc 38 mm	Solid, w/ball bearing	8 x 8 mm	35 - 65 mm	Brass	Polished	Set
12405101004	Lever handle 111 mm	cc 30/38 mm	Snap on cover	8 x 8 mm	35 - 65 mm	Brass	Polished	Set
12405801010	Lever handle 111 mm		F17S*	8 x 8 mm	35 - 65 mm	Brass	Polished	Set

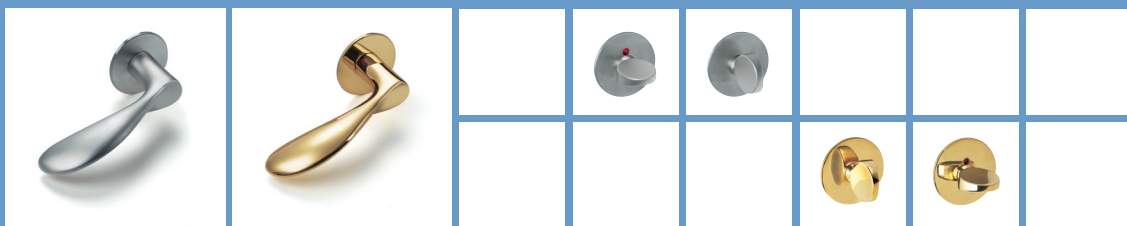
\* Ready to order Q1 2010

Item number	Description	Center measurement	Roses	Door thickness	For lock case	Material	Surface	Pack size	Comments
06203202202	Toilet indicator	cc 30 mm	Solid	34 - 45 mm	5 mm spindle, 90°	Brass	Nickel plated	Set	
06203202300	Toilet indicator	cc 30 mm	Snap on cover	34 - 45 mm	5 mm spindle, 90°	Brass	Nickel plated	Set	
06203202380	Toilet indicator	cc 38 mm	Snap on cover	34 - 45 mm	8 mm spindle, 90°	Brass	Nickel plated	Set	
08620320001	Toilet indicator	cc 38 mm	Snap on cover	34 - 45 mm	8 mm spindle, 90°	Brass	Nickel plated	Set	w/o indicator
06203301207	Toilet indicator	cc 30 mm	Solid	34 - 45 mm	5 mm spindle, 90°	Brass	Polished	Set	
06203301300	Toilet indicator	cc 30 mm	Snap on cover	34 - 45 mm	5 mm spindle, 90°	Brass	Polished	Set	
06203301380	Toilet indicator	cc 38 mm	Snap on cover	34 - 45 mm	8 mm spindle, 90°	Brass	Polished	Set	

Item number	Description	Center measurement	Roses	For lock case	Material	Surface	Pack size
06191702130	Thumb turn	cc 30 mm	Solid	ASSA	Brass	Nickel plated	Pc.
06191801131	Thumb turn	cc 30 mm	Solid	ASSA	Brass	Polished	Pc.



## Arne Jacobsen – Accessories



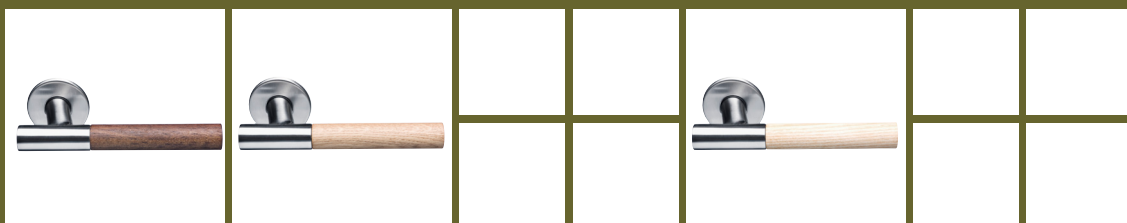
## PLH Architects – Accessories



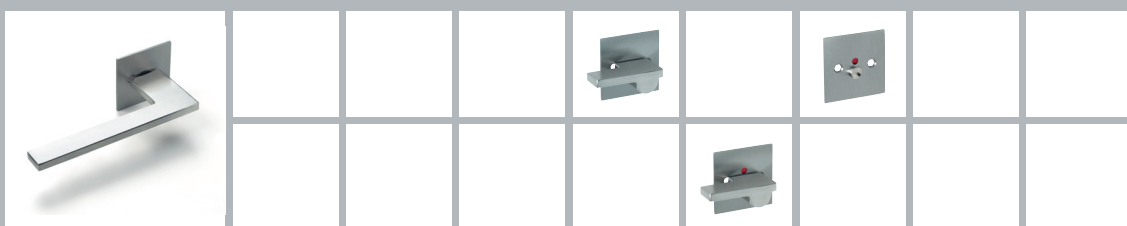
## Jean Nouvel – Accessories



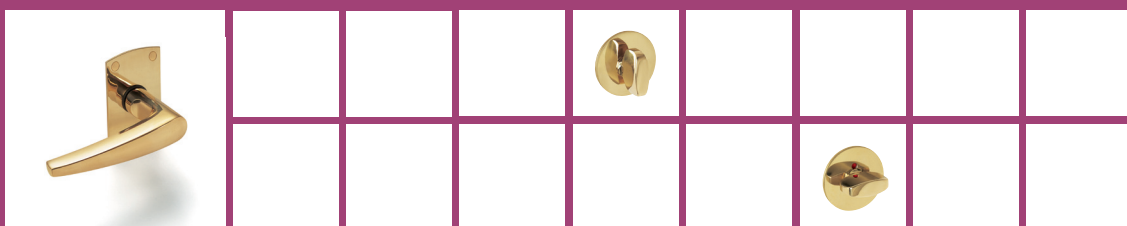
## Aarstiderne Architects – Accessories



## schmidt hammer lassen design – Accessories



## Annelise Bjørner – Accessories



# General information

This information sheet has been developed with the purpose of providing guidance to building contractors, owners and other users regarding the storage, maintenance and cleaning of products. Having chosen to apply high quality products, it is critical that these products are stored and maintained in the correct manner to ensure optimum benefit for their useful lifetime.

## Storage

All products are carefully packed prior to delivery to safeguard against damage during transport. Once the parts have reached their destination it is vital that all fittings are stored in a dry place until mounting. When they have been mounted, care must be taken to ensure that all fittings are protected correctly until the construction work has been finalized.

## Maintenance

Maintenance – Lever handles

If the instructions are followed carefully when mounting lever handles, there will be no need for adjustment. However, the tension of the fastening of all lever handles should be checked in connection with the annual inspections. Any fastenings that have come loose must be tightened.

Maintenance – Pull handles

Pulls should be checked to ensure correct mounting of the fittings and tightening of any neck screws used. If it is possible to move the pull, such movements will damage the surface of the door and cause instability of the pull leading to malfunctioning during use.

## Cleaning

Cleaning procedure

- It is essential to clean stainless steel and brass regularly.
- Start by washing the surface with soap water or a mild cleaning agent.
- Do not forget to rinse off the cleaning agent with pure water.
- As a final step, dry/polish the object using a soft, dry cloth. In aggressive environments, such as off-shore or maritime environments and bathing or swimming facilities, it is particularly important to ensure regular cleaning.

## Discoloration

Any spots that may appear on the surface are not caused by the stainless steel, on the contrary they are produced by impurities in the water, air or cleaning agents that have been insufficiently rinsed off the surface.

- Spots can be avoided by careful cleaning.
- Any discolorations or spots can be removed using a polished agent for stainless steel or liquid scouring powder.
- Again, as a final step rinse carefully with pure water and then polish the object using a soft, dry cloth.

Do NOT use the following!

- Scouring powder.
- Steel wool.
- Highly abrasive materials.

## Surface

Why maintain the surfaces?

With today's environments the demands to the material properties of a product are considerable. Products must be able to withstand diverse atmospheric conditions, such as heavy air pollution, high humidity regimes and maritime environments. In addition to this, products must allow cleaning with effective cleaning agents and, from an optimal point of view, offer non-allergic properties.

## Characteristics of stainless steel

Stainless steel is well known for the following two properties; resistance to corrosion and modest need for maintenance. The corrosion resistance of stainless steel is provided by a thin hardwearing film of a passive but stable chromoxide. This film is inactive, invisible, with extremely adhesive properties and self repairing so that the steel is given the best possible protection. If the film suffers damage or is removed, it is automatically restored provided the oxygen in the atmosphere is not prevented from reaction with the chrome in the steel. To ensure this it is necessary to clean regularly. The purpose of the cleaning is to restore the appearance of the original surface, protect against corrosion and ensure hygienic conditions.

## Characteristics of brass and nickel plated

Lever handles made of brass with a polished or a nickel plated surface are more affected by high variations of temperature and environment than lever handles made of stainless steel, as brass is a more soft material. Lever handles with a nickel plated surface have a harder surface than the polished brass lever handles, which can cause cracks in the surface when exposed for high variations of temperature and environment fluctuations. For lever handles made of brass or stainless steel will the same rules apply regarding cleaning.

## Characteristics of wood

The wooden lever handles have during the production been "sealed" with a thin PU lacquer that penetrates into the grains. The PU lacquer is mixed oil on a turpentine base which hardens and gives a hard-wearing surface. Hardness in end-wood; 78-83 Mpa.

By daily use and exposure to all kinds of weather, the lever handle can in time look a bit "worn out". This can be fixed with an aftercare by regular vegetable oil that is put on with a soft cloth. The surplus of oil need to be dried off. (In case the layer of oil is used up and the lever handles has not been given aftercare, the wood will still be fairly protected due to the original sealing).

# PRODUCT DOCUMENTATION

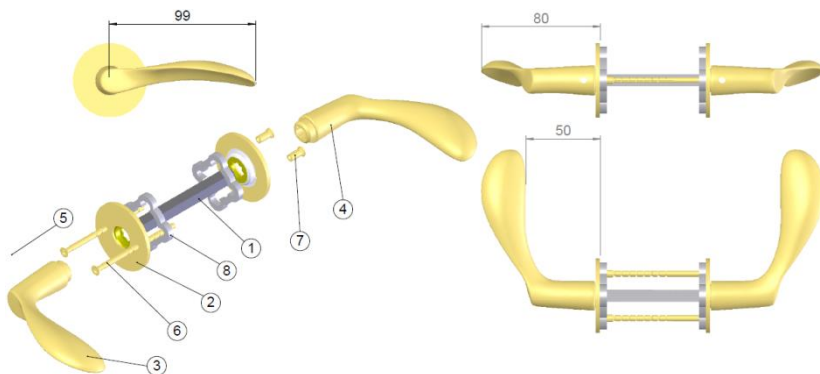
**Product Name:** Lever handle AJ 97 mm, brass pair solid cc 30 mm, 33-59 mm

**Article Number:** 12.4042.01.030  
Polished brass

**Photo:**



**Drawing:**



**Product Information:**

Material: Brass  
Surface finish: Polished  
Height: 50 mm    Width: 124 mm    Depth: 80 mm

**Product Specification:**

Ikons lever handle AJ 97 mm, brass, pair, solid, cc 30 mm, 33-59 mm produced in polished brass.

Collection of Ikons is synonymous with quality, pristine design and excellent craftsmanship. We add the best of our d line technology on the inside - such as ball bearing roses - and use the best of quality materials on the outside – such as satin stainless steel grade AISI 304 and composit materials where needed - and end up with a door lever that will stand the test of time.

Certificate: EN 179, EN 1906  
Warranty: 20 years (non-mechanical/-electronic parts)

**Spare Parts/Accessories:**

14.2810.92.092 Spindle 8x8x92  
14.9701.02.019 Grub screw M5x8,3 mm

**Related Products:**

12.4043.74.001 Lever handle Ikons AJ 97 mm solid, 33-59 mm, satin finish

**Mounting:**

See instruction supplied with the product

**Packing:**

1 piece in a bag.

**Maintenance:**

Wash down with mild detergent, rinse off with clean water, and dry off with soft dry cloth. Please do not use scouring powders, steel wool or aggressive cleaning products as these may damage the surface. If spots appear on the surface it is not due to the stainless steel, but to impurities in the environment or the use of aggressive cleaning agents.

**Environment:**

No environmental risk and no risk of fire.

# PRODUCT DOCUMENTATION

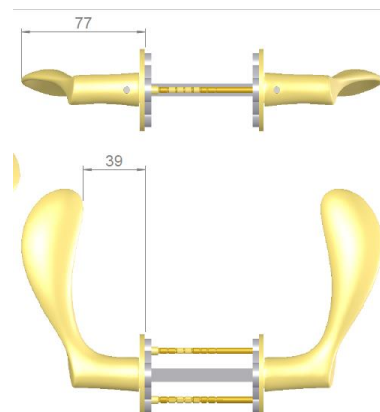
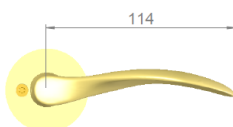
**Product Name:** Lever handle AJ large, brass,  
Solid rose, cc 30 mm, 33-59 mm

**Article Number:** 12.4052.01.030  
*Polished brass*

**Photo:**



**Drawing:**



**Product Information:**

Material:	Brass
Surface finish:	polished
Height:	Width: Depth:
50 mm	139 mm 77 mm

**Product Specification:**

Ikons lever handle AJ large, brass, solid rose cc 30 mm, 33-59 mm produced in highest quality brass.

Collection of Ikons is synonymous with quality, pristine design and excellent craftsmanship. We add the best of our d line technology on the inside - such as ball bearing roses - and use the best of quality materials on the outside – such as satin stainless steel grade AISI 304 and composit materials where needed - and end up with a door lever that will stand the test of time.

Certificate: EN 179, EN 1906  
Warranty: 20 years (non-mechanical/-electronic parts)

**Spare Parts/Accessories:**

14.2810.92.092 Spindle 8x8x92  
14.9701.02.019 Grub screw M5x8,3 mm

**Related Products:**

12.4052.01.038 Lever handle Ikons AJ large, brass, solid rose cc 38 mm, 33-59 mm

**Mounting:**

See instruction supplied with the product

**Packing:**

1 piece in a bag.

**Maintenance:**

Wash down with mild detergent, rinse off with clean water, and dry off with soft dry cloth. Please do not use scouring powders, steel wool or aggressive cleaning products as these may damage the surface. If spots appear on the surface it is not due to the stainless steel, but to impurities in the environment or the use of aggressive cleaning agents.

**Environment:**

No environmental risk and no risk of fire.

# PRODUCT DOCUMENTATION

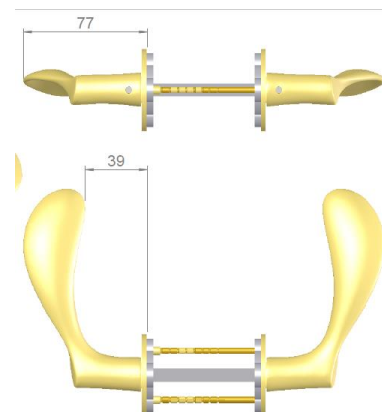
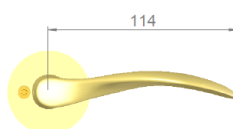
**Product Name:** Lever handle AJ large, brass,  
Solid rose, cc 38 mm, 33-59 mm

**Article Number:** 12.4052.01.038  
*Polished brass*

**Photo:**



**Drawing:**



**Product Information:**

Material:	Brass
Surface finish:	polished
Height:	Width: Depth:
50 mm	139 mm 77 mm

**Product Specification:**

Ikons lever handle AJ large, brass, solid rose cc 38 mm, 33-59 mm produced in highest quality brass.

Collection of Ikons is synonymous with quality, pristine design and excellent craftsmanship. We add the best of our d line technology on the inside - such as ball bearing roses - and use the best of quality materials on the outside - such as satin stainless steel grade AISI 304 and composit materials where needed - and end up with a door lever that will stand the test of time.

Certificate: EN 179, EN 1906  
Warranty: 20 years (non-mechanical/-electronic parts)

**Spare Parts/Accessories:**

14.2810.92.092	Spindle 8x8x92
14.9701.02.019	Grub screw M5x8,3 mm

**Related Products:**

12.4052.01.030	Lever handle Ikons AJ large, brass, solid rose cc 30 mm, 33-59 mm
----------------	-------------------------------------------------------------------

**Mounting:**

See instruction supplied with the product

**Packing:**

1 piece in a bag.

**Maintenance:**

Wash down with mild detergent, rinse off with clean water, and dry off with soft dry cloth. Please do not use scouring powders, steel wool or aggressive cleaning products as these may damage the surface. If spots appear on the surface it is not due to the stainless steel, but to impurities in the environment or the use of aggressive cleaning agents.

**Environment:**

No environmental risk and no risk of fire.

# PRODUCT DOCUMENTATION



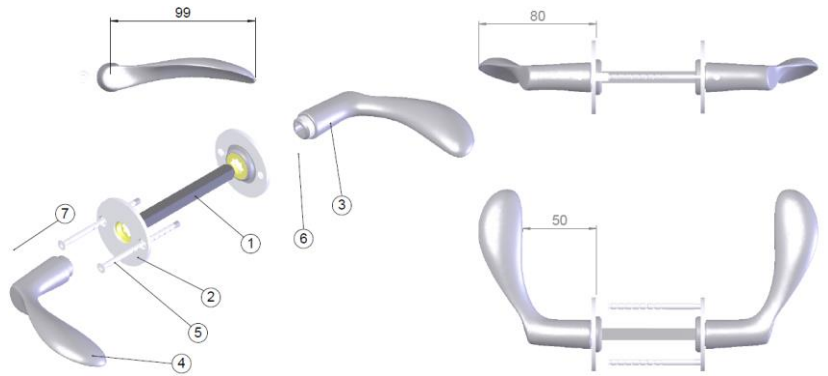
**Product Name:** Lever handle AJ 97 mm, pair,  
Solid cc 30 mm, 33-59 mm

**Article Number:** 12.4044.74.030  
*Satin stainless steel*  
*Polished stainless steel*

**Photo:**



**Drawing:**



**Product Information:**

Material: AISI 316 stainless steel  
Surface finish: Satin 320 grain or polished  
Height: 50 mm      Width: 124 mm      Depth: 80 mm

**Product Specification:**

Ikons lever handle AJ 97 mm, solid, cc 30 mm, 33-59 mm produced in satin finish or polished stainless steel AISI 304.

Collection of Ikons is synonymous with quality, pristine design and excellent craftsmanship. We add the best of our d line technology on the inside - such as ball bearing roses - and use the best of quality materials on the outside – such as satin stainless steel grade AISI 304 and composit materials where needed - and end up with a door lever that will stand the test of time.

Certificate: EN 179, EN 1906  
Warranty: 20 years (non-mechanical/-electronic parts)

**Spare Parts/Accessories:**

14.2810.92.092      Spindle 8x8x92  
14.9701.02.019      Grub screw M5x8,3 mm

**Related Products:**

12.4042.01.030      Lever handle Ikons AJ 97 mm, brass solid, 33-59 mm

**Mounting:**

See instruction supplied with the product

**Packing:**

1 piece in a bag.

**Maintenance:**

Wash down with mild detergent, rinse off with clean water, and dry off with soft dry cloth. Please do not use scouring powders, steel wool or aggressive cleaning products as these may damage the surface. If spots appear on the surface it is not due to the stainless steel, but to impurities in the environment or the use of aggressive cleaning agents.

**Environment:**

No environmental risk and no risk of fire.

# PRODUCT DOCUMENTATION

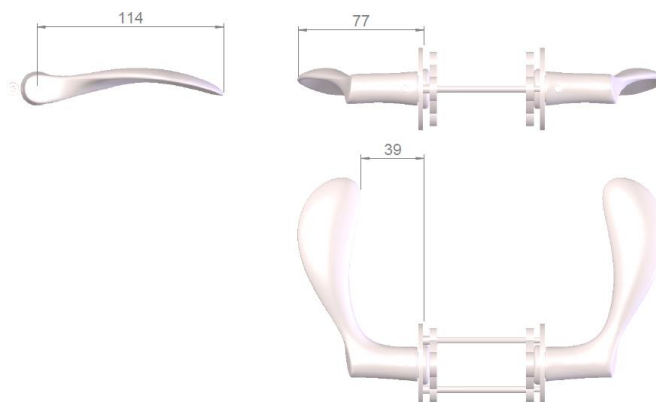
**Product Name:** Lever handle AJ large, satin finish,  
Solid rose cc 30 mm, 33-59 mm

**Article Number:** 12.4054.74.030  
*Satin stainless steel*  
*Polished stainless steel*

**Photo:**



**Drawing:**



**Product Information:**

Material: AISI 316 stainless steel  
Surface finish: Satin 320 grain or polished  
Height: 50 mm      Width: 139 mm      Depth: 77 mm

**Product Specification:**

Ikons lever handle AJ large, satin finish, solid rose cc 30 mm, 33-59 mm produced in satin finish or polished stainless steel AISI 304.

Certificate: EN 179, EN 1906  
Warranty: 20 years (non-mechanical/-electronic parts)

Collection of Ikons is synonymous with quality, pristine design and excellent craftsmanship. We add the best of our d line technology on the inside - such as ball bearing roses - and use the best of quality materials on the outside – such as satin stainless steel grade AISI 304 and composit materials where needed - and end up with a door lever that will stand the test of time.

**Spare Parts/Accessories:**

14.2810.92.092      Spindle 8x8x92  
14.9701.02.019      Grub screw M5x8,3 mm

**Related Products:**

12.4054.74.038      Lever handle Ikons AJ large satin finish, solid rose cc 38 mm, 33-59 mm

**Mounting:**

See instruction supplied with the product

**Packing:**

1 piece in a bag.

**Maintenance:**

Wash down with mild detergent, rinse off with clean water, and dry off with soft dry cloth. Please do not use scouring powders, steel wool or aggressive cleaning products as these may damage the surface. If spots appear on the surface it is not due to the stainless steel, but to impurities in the environment or the use of aggressive cleaning agents.

**Environment:**

No environmental risk and no risk of fire.



# PRODUCT DOCUMENTATION

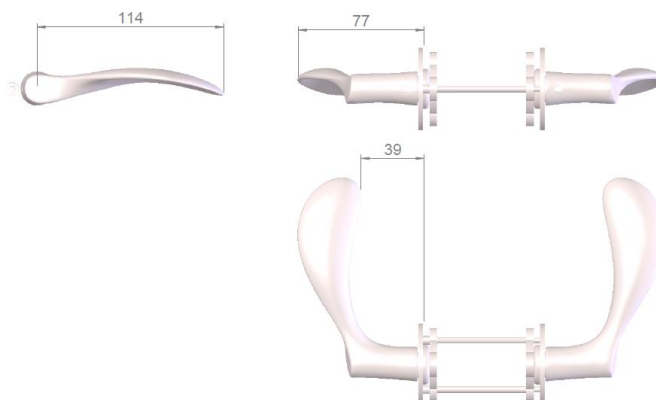
**Product Name:** Lever handle AJ large, satin finish,  
Solid rose cc 38 mm, 33-59 mm

**Article Number:** 12.4054.74.038  
*Satin stainless steel*  
*Polished stainless steel*

**Photo:**



**Drawing:**



**Product Information:**

Material: AISI 316 stainless steel  
Surface finish: Satin 320 grain or polished  
Height: 50 mm      Width: 139 mm      Depth: 77 mm

**Product Specification:**

Ikons lever handle AJ large, satin finish, solid rose cc 38 mm, 33-59 mm produced in satin finish or polished stainless steel AISI 304.

Certificate: EN 179, EN 1906  
Warranty: 20 years (non-mechanical/-electronic parts)

Collection of Ikons is synonymous with quality, pristine design and excellent craftsmanship. We add the best of our d line technology on the inside - such as ball bearing roses - and use the best of quality materials on the outside – such as satin stainless steel grade AISI 304 and composit materials where needed - and end up with a door lever that will stand the test of time.

**Spare Parts/Accessories:**

14.2810.92.092      Spindle 8x8x92  
14.9701.02.019      Grub screw M5x8,3 mm

**Related Products:**

12.4054.74.030      Lever handle Ikons AJ large satin  
finsh, solid rose cc 30 mm, 33-59 mm

**Mounting:**

See instruction supplied with the product

**Packing:**

1 piece in a bag.

**Maintenance:**

Wash down with mild detergent, rinse off with clean water, and dry off with soft dry cloth. Please do not use scouring powders, steel wool or aggressive cleaning products as these may damage the surface. If spots appear on the surface it is not due to the stainless steel, but to impurities in the environment or the use of aggressive cleaning agents.

**Environment:**

No environmental risk and no risk of fire.

# PRODUCT DOCUMENTATION

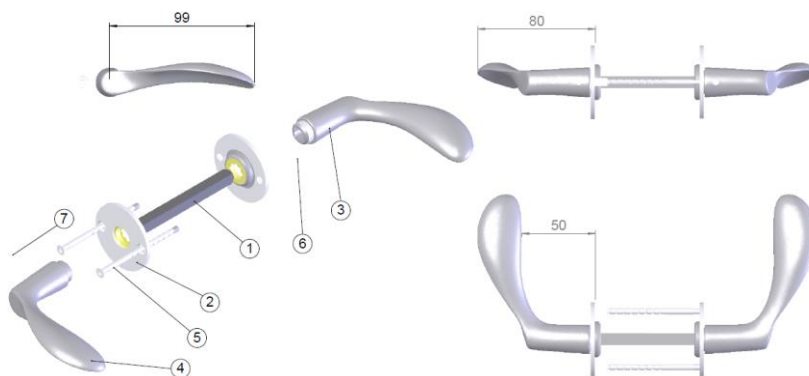
**Product Name:** Lever handle AJ 97 mm, pair,  
Solid cc 38 mm, 33-59 mm

**Article Number:** 12.4044.74.038  
*Satin stainless steel*  
*Polished stainless steel*

**Photo:**



**Drawing:**



**Product Information:**

Material: AISI 316 stainless steel  
Surface finish: Satin 320 grain or polished  
Height: 50 mm      Width: 124 mm      Depth: 80 mm

**Product Specification:**

Ikons lever handle AJ 97 mm, solid, cc 38 mm, 33-59 mm produced in satin finish or polished stainless steel AISI 304.

Collection of Ikons is synonymous with quality, pristine design and excellent craftsmanship. We add the best of our d line technology on the inside - such as ball bearing roses - and use the best of quality materials on the outside – such as satin stainless steel grade AISI 304 and composit materials where needed - and end up with a door lever that will stand the test of time.

Certificate: EN 179, EN 1906  
Warranty: 20 years (non-mechanical/-electronic parts)

**Spare Parts/Accessories:**

14.2810.92.092      Spindle 8x8x92  
14.9701.02.019      Grub screw M5x8,3 mm

**Related Products:**

12.4042.01.030      Lever handle Ikons AJ 97 mm, brass solid, 33-59 mm

**Mounting:**

See instruction supplied with the product

**Packing:**

1 piece in a bag.

**Maintenance:**

Wash down with mild detergent, rinse off with clean water, and dry off with soft dry cloth. Please do not use scouring powders, steel wool or aggressive cleaning products as these may damage the surface. If spots appear on the surface it is not due to the stainless steel, but to impurities in the environment or the use of aggressive cleaning agents.

**Environment:**

No environmental risk and no risk of fire.

# PRODUCT DOCUMENTATION

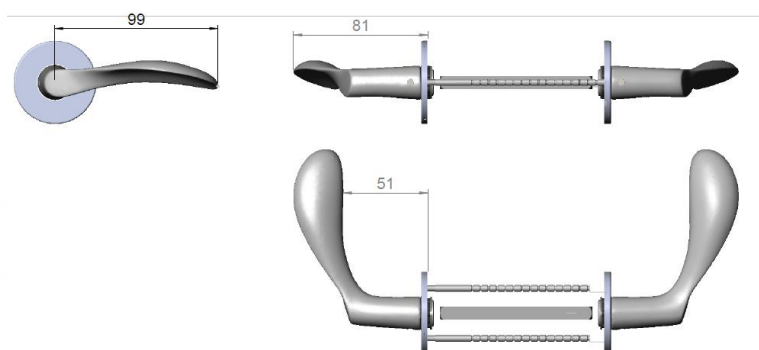
**Product Name:** Lever handle AJ 97 mm, pair,  
Snap on cover cc 30 mm, 33-59 mm

**Article Number:** 12.4043.74.001  
*Satin stainless steel*  
*Polished stainless steel*

**Photo:**



**Drawing:**



**Product Information:**

Material: AISI 316 stainless steel  
Surface finish: Satin 320 grain or polished  
Height: 50 mm      Width: 124 mm      Depth: 81 mm

**Product Specification:**

Ikons lever handle AJ 97 mm, pair, snap on cover, cc 30 mm, 33-59 mm produced in satin finish or polished stainless steel AISI 304.

Collection of Ikons is synonymous with quality, pristine design and excellent craftsmanship. We add the best of our d line technology on the inside - such as ball bearing roses - and use the best of quality materials on the outside - such as satin stainless steel grade AISI 304 and composit materials where needed - and end up with a door lever that will stand the test of time.

Certificate: EN 179, EN 1906  
Warranty: 20 years (non-mechanical/-electronic parts)

**Spare Parts/Accessories:**

14.2810.92.092 Spindle 8x8x92  
14.9701.02.019 Grub screw M5x8,3 mm

**Related Products:**

12.4042.01.030 Lever handle Ikons AJ 97 mm, brass solid, 33-59 mm

**Mounting:**

See instruction supplied with the product

**Packing:**

1 piece in a bag.

**Maintenance:**

Wash down with mild detergent, rinse off with clean water, and dry off with soft dry cloth. Please do not use scouring powders, steel wool or aggressive cleaning products as these may damage the surface. If spots appear on the surface it is not due to the stainless steel, but to impurities in the environment or the use of aggressive cleaning agents.

**Environment:**

No environmental risk and no risk of fire.

# PRODUCT DOCUMENTATION

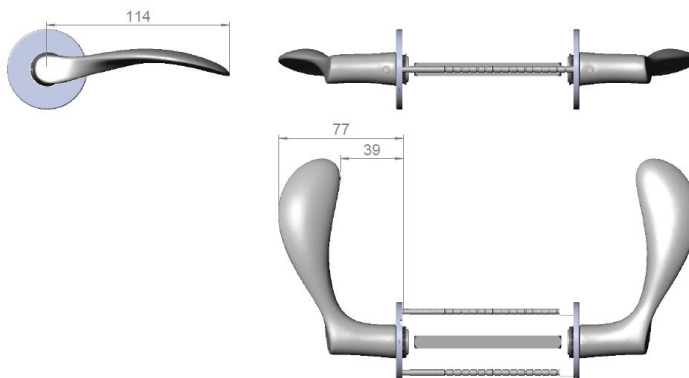
**Product Name:** Lever handle AJ large, satin finish,  
Snap on cover cc 30/38 mm, 33-59 mm

**Article Number:** 12.4053.74.003  
*Satin stainless steel*  
*Polished stainless steel*

**Photo:**



**Drawing:**



**Product Information:**

Material: AISI 316 stainless steel  
Surface finish: Satin 320 grain or polished  
Height: Width: Depth:  
50 mm 139 mm 77 mm

**Product Specification:**

Ikons lever handle AJ large, satin finish, snap on cover cc30/38 mm, 33-59 mm produced in satin finish or polished stainless steel AISI 304.

Certificate: EN 179, EN 1906  
Warranty: 20 years (non-mechanical/-electronic parts)

Collection of Ikons is synonymous with quality, pristine design and excellent craftsmanship. We add the best of our d line technology on the inside - such as ball bearing roses - and use the best of quality materials on the outside - such as satin stainless steel grade AISI 304 and composite materials where needed - and end up with a door lever that will stand the test of time.

**Spare Parts/Accessories:**

14.2810.92.092 Spindle 8x8x92  
14.9701.02.019 Grub screw M5x8,3 mm

**Related Products:**

12.4054.74.030 Lever handle Ikons AJ large satin finish, solid rose cc 30 mm, 33-59 mm

**Mounting:**

See instruction supplied with the product

**Packing:**

1 piece in a bag.

**Maintenance:**

Wash down with mild detergent, rinse off with clean water, and dry off with soft dry cloth. Please do not use scouring powders, steel wool or aggressive cleaning products as these may damage the surface. If spots appear on the surface it is not due to the stainless steel, but to impurities in the environment or the use of aggressive cleaning agents.

**Environment:**

No environmental risk and no risk of fire.

# PRODUCT DOCUMENTATION



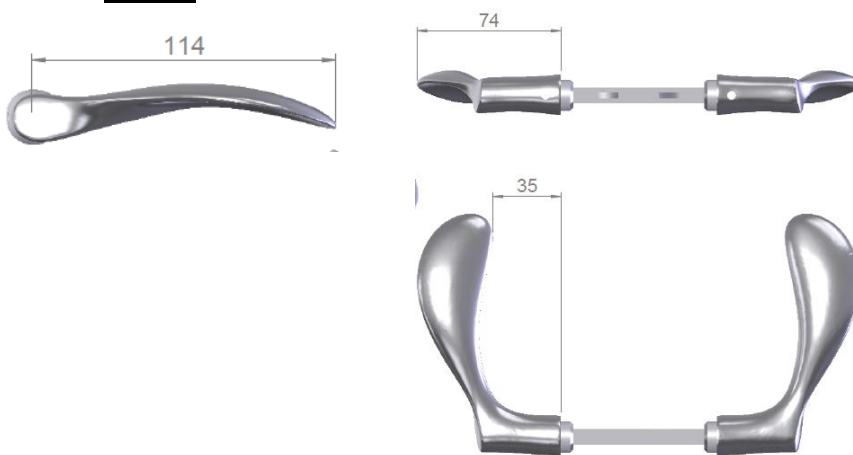
**Product Name:** Lever handle AJ large, satin finish, pair, w/o roses, 33-59 mm

**Article Number:** 12.4050.74.011  
*Satin stainless steel*  
*Polished stainless steel*

**Photo:**



**Drawing:**



**Product Information:**

Material: AISI 316 stainless steel  
Surface finish: Satin 320 grain or polished  
Height: 20 mm      Width: 125 mm      Depth: 74 mm

**Product Specification:**

Ikons lever handle AJ large, pair, w/o roses, 33-59 mm produced in satin finish or polished stainless steel AISI 304.

Certificate: EN 179, EN 1906  
Warranty: 20 years (non-mechanical/-electronic parts)

Collection of Ikons is synonymous with quality, pristine design and excellent craftsmanship. We add the best of our d line technology on the inside - such as ball bearing roses - and use the best of quality materials on the outside – such as satin stainless steel grade AISI 304 and composite materials where needed - and end up with a door lever that will stand the test of time.

**Spare Parts/Accessories:**

14.2810.92.092      Spindle 8x8x92  
14.9701.02.019      Grub screw M5x8,3 mm

**Related Products:**

12.4054.74.030      Lever handle Ikons AJ large satin finish, solid rose cc 30 mm, 33-59 mm

**Mounting:**

See instruction supplied with the product

**Packing:**

1 piece in a bag.

**Maintenance:**

Wash down with mild detergent, rinse off with clean water, and dry off with soft dry cloth. Please do not use scouring powders, steel wool or aggressive cleaning products as these may damage the surface. If spots appear on the surface it is not due to the stainless steel, but to impurities in the environment or the use of aggressive cleaning agents.

**Environment:**

No environmental risk and no risk of fire.

# PRODUCT DOCUMENTATION

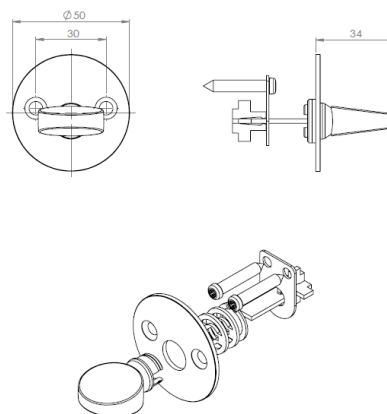
**Product Name:** Thumb turn AJ, solid, cc 30 mm, ASSA, polished brass

**Article Number:** 06.1918.01.131  
*Polished brass*

**Photo:**



**Drawing:**



**Product Information:**

Material: AISI 316 stainless steel  
Surface finish: Satin 320 grain or polished  
Height: 50 mm      Width: 50 mm      Depth: 34 mm

**Product Specification:**

Ikons thumb turn AJ, solid, cc 30 mm, ASSA polished brass produced in highest quality brass.

Certificate: EN 179, EN 1906  
Warranty: 20 years (non-mechanical/-electronic parts)

Collection of Ikons is synonymous with quality, pristine design and excellent craftsmanship. We add the best of our d line technology on the inside - such as ball bearing roses - and use the best of quality materials on the outside - such as satin stainless steel grade AISI 304 and composite materials where needed - and end up with a door lever that will stand the test of time.

**Spare Parts/Accessories:**

14.2961.74.107      Section bolt set M4x110, with bush

**Related Products:**

06.1917.02.130      Thumb turn AJ

**Mounting:**

See instruction supplied with the product

**Packing:**

1 piece in a bag.

**Maintenance:**

Wash down with mild detergent, rinse off with clean water, and dry off with soft dry cloth. Please do not use scouring powders, steel wool or aggressive cleaning products as these may damage the surface. If spots appear on the surface it is not due to the stainless steel, but to impurities in the environment or the use of aggressive cleaning agents.

**Environment:**

No environmental risk and no risk of fire.

# PRODUCT DOCUMENTATION

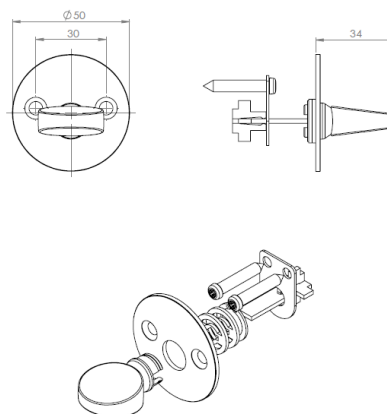
**Product Name:** Thumb turn AJ, solid, cc 30 mm, ASSA

**Article Number:** 06.1917.02.130  
*Satin stainless steel*  
*Polished stainless steel*

**Photo:**



**Drawing:**



**Product Information:**

Material: AISI 316 stainless steel  
Surface finish: Satin 320 grain or polished  
Height: 50 mm      Width: 50 mm      Depth: 34 mm

**Product Specification:**

Ikons thumb turn AJ, solid, cc 30 mm, ASSA produced in AISI 316 satin or polished stainless steel.

Certificate: EN 179, EN 1906  
Warranty: 20 years (non-mechanical/-electronic parts)

Collection of Ikons is synonymous with quality, pristine design and excellent craftsmanship. We add the best of our d line technology on the inside - such as ball bearing roses - and use the best of quality materials on the outside - such as satin stainless steel grade AISI 304 and composit materials where needed - and end up with a door lever that will stand the test of time.

**Spare Parts/Accessories:**

14.2961.74.107      Section bolt set M4x110, with bush

**Related Products:**

06.1918.01.131      Thumb turn AJ brass

**Mounting:**

See instruction supplied with the product

**Packing:**

1 piece in a bag.

**Maintenance:**

Wash down with mild detergent, rinse off with clean water, and dry off with soft dry cloth. Please do not use scouring powders, steel wool or aggressive cleaning products as these may damage the surface. If spots appear on the surface it is not due to the stainless steel, but to impurities in the environment or the use of aggressive cleaning agents.

**Environment:**

No environmental risk and no risk of fire.

# PRODUCT DOCUMENTATION

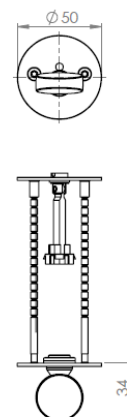
**Product Name:** Toilet indicator AJ 5V90 cc 30 mm, ASSA

**Article Number:** 06.2032.02.202  
*Satin stainless steel*  
*Polished stainless steel*

**Photo:**



**Drawing:**



**Product Information:**

Material: AISI 316 stainless steel  
Surface finish: Satin 320 grain or polished  
Height: 50 mm      Width: 50 mm      Depth: 34 mm

**Product Specification:**

Ikons toilet indicator AJ 5V90, cc 30 mm, ASSA produced in AISI 304 satin or polished stainless steel.

Collection of Ikons is synonymous with quality, pristine design and excellent craftsmanship. We add the best of our d line technology on the inside - such as ball bearing roses - and use the best of quality materials on the outside - such as satin stainless steel grade AISI 304 and composit materials where needed - and end up with a door lever that will stand the test of time.

Certificate: EN 179, EN 1906  
Warranty: 20 years (non-mechanical/-electronic parts)

**Spare Parts/Accessories:**

14.2961.74.107      Section bolt set M4x110, with bush

**Related Products:**

06.2033.01.207      Toilet indicator AJ 5V90 brass

**Mounting:**

See instruction supplied with the product

**Packing:**

1 piece in a bag.

**Maintenance:**

Wash down with mild detergent, rinse off with clean water, and dry off with soft dry cloth. Please do not use scouring powders, steel wool or aggressive cleaning products as these may damage the surface. If spots appear on the surface it is not due to the stainless steel, but to impurities in the environment or the use of aggressive cleaning agents.

**Environment:**

No environmental risk and no risk of fire.