

Lever Handle

# Agaho

146 / 148 / 149

EN 1906:2010 37-0130U

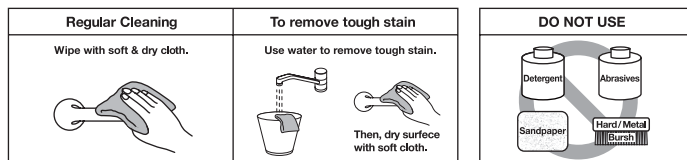
Fitting Instruction

## ⚠ Attention

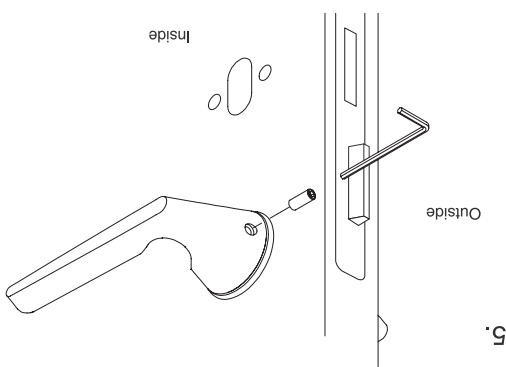
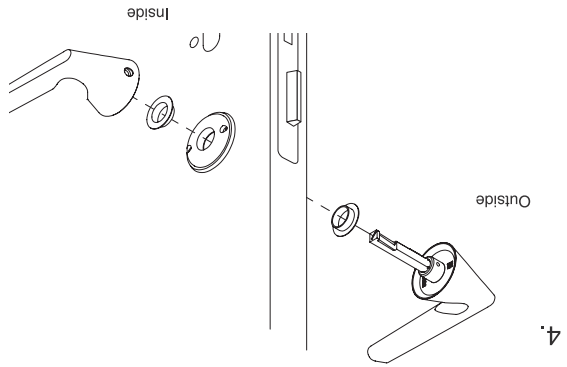
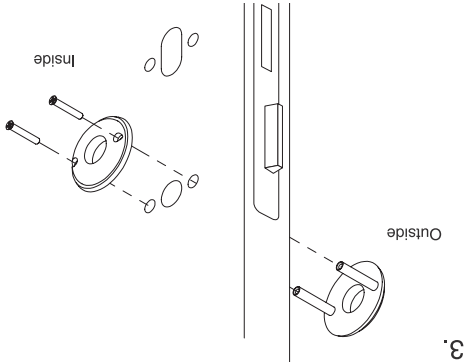
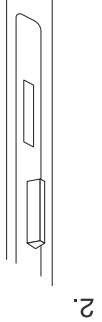
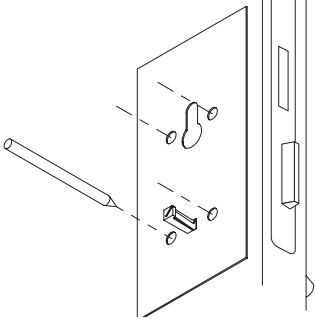
- 1 Please read this instruction well and be sure to install the product correctly.  
After installation, user shall keep this instruction.
- 2 Please pay attention, not to drop and not to damage the product by fixing tools and etc. while installing.
- 3 Check the installation position before processing the door.
- 4 Do not use impact drill because the screw may become hard to remove.
- 5 Do not remodel the product. Do not use the parts except we specify.
- 6 Do not use for a purpose other than the intended use of the product.
- 7 Please confirm whether the product can be properly operated after installation.
- 8 Handles may not be operated smoothly when the door has been warped or the lock case has been installed at improper position.

## Maintenance

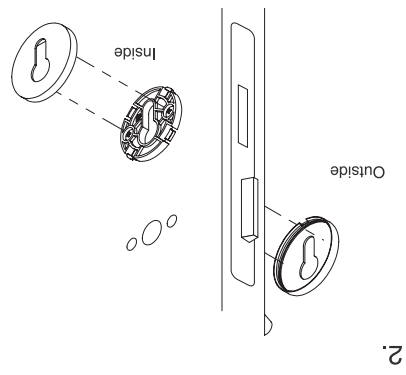
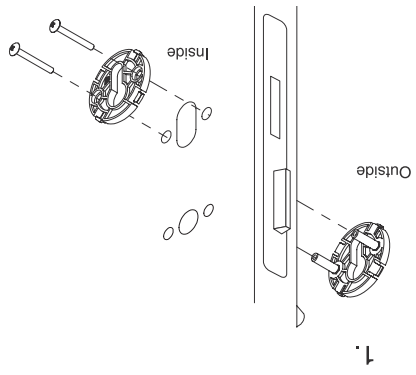
- 1 Check the product regularly and tighten the screw again if it was loose.
- 2 Wipe with soft and dry cloth to clean products.  
To remove tough stains use water with soft cloth or sponge, and then wipe enough to dry up.



Lever Handle



Escutcheon ( 950 / 957 )



Bathroom Set ( 951 / 952 )

