

KNOBS | HOOKS | HANDLES | DOOR FURNITURE

 BÄCCMAN
BERGLUND
SWEDEN



FEBRUARY 2017

SWEDISH DESIGN

PRODUCTION

All our products are handmade by carefully selected craftsmen. The materials are solid brass, copper, stainless steel and aluminium with both polished and brushed surface. Brass and copper will oxidise and age with grace unless you do not polish them now and then. For this we have a great polish for sale. The products in chrome and black chrome are plated brass, and the black aluminium has a durable anodised coating. Stainless steel is always stylish and the polished stainless steel is a great complement to chrome.

Fia Berglund and Malin Bäckman are the designers behind the collection.

ABOUT US

Bäckman & Berglund Sweden is a high-end hardware brand focused on knobs, hooks, handles, door handles and wall hangers. The company was founded in 2008 and currently sells fittings to companies worldwide. We combine genuine craftsmanship with innovative design in classic materials. Our love for metals, the passion for design and an ambition to give each product a high quality finish and exclusive feel, makes our collections unique. For us it is important to design modern but timeless products in high quality and solid materials that is durable. Our products should be an investment that you can enjoy and love for years.

If you are interested in purchasing products, please contact us:

Bäckman & Berglund Sweden AB
+ 46 (0)8 66 99 100
info@bb-sweden.se

office address:
Upplandsgatan 74
113 44 Stockholm
Sweden

website:
www.bb-sweden.se



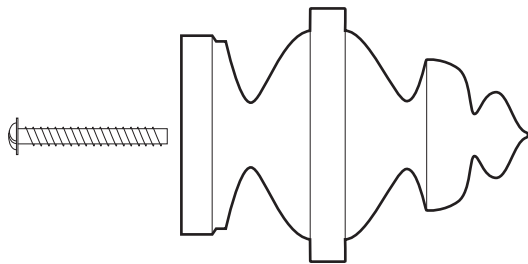
PEARL XL - HOOK / KNOB

Pearl XL is one of four in the series Pearl. They are beautiful as hangers on the wall or as a knob on a swing door. Screws for wall and cabinet are included.

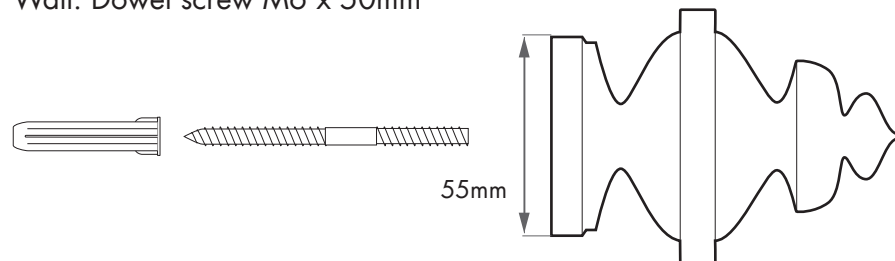
Art.No.	Material:
KN 10 XL M	polished brass
KN 10 XL MB	brushed brass
KN 10 XL K	chrome
KN 10 XL AB	brushed aluminium
KN 10 XL AS	black aluminium

Size:
Height: 97mm / Diam. 70mm

Mounting:
Cabinet: Screw M6 x 25mm



Mounting:
Wall: Dowel screw M6 x 50mm



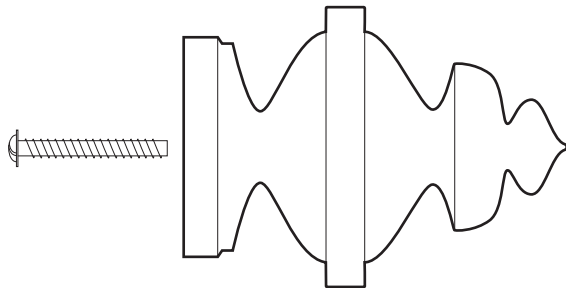
PEARL L - HOOK/KNOB

Pearl L is one of four in the series Pearl.
Screws for wall and cabinet are included.

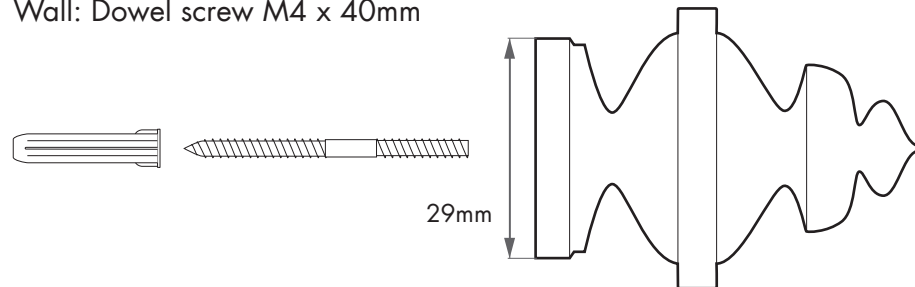
Art.No.	Material:
KN 10 L M	polished brass
KN 10 L MB	brushed brass
KN 10 L K	chrome
KN 10 L AB	brushed aluminium
KN 10 L AS	black aluminium

Size:
Height: 51mm / Diam. 37mm

Mounting:
Cabinet: Screw M4 x 25mm



Mounting:
Wall: Dowel screw M4 x 40mm



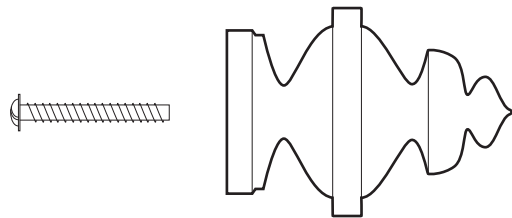
PEARL M - KNOB / HOOK

Pearl M is one of four in the series Pearl.
Screws for wall and cabinet are included.

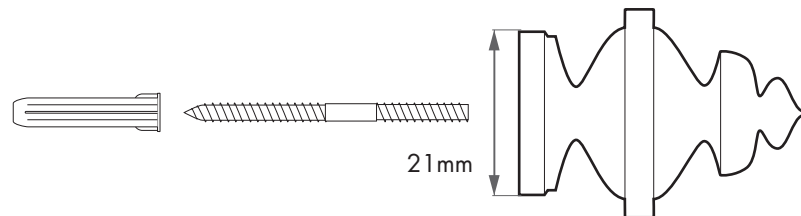
Art.No.	Material:
KN 10 M M	polished brass
KN 10 M MB	brushed brass
KN 10 M K	chrome
KN 10 M AB	brushed aluminium
KN 10 M AS	black aluminium

Size:
Height: 38mm / Diam. 27,5mm

Mounting:
Cabinet: Screw M4 x 25mm



Mounting:
Wall: Dowel screw M4 x 40mm



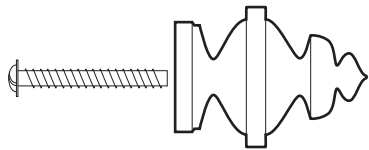
PEARL S - KNOB / HOOK

Pearl S is one of four in the series Pearl.
Screws for wall and cabinet are included.

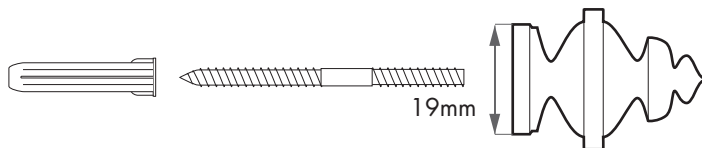
Art.No.	Material:
KN 10 S M	polished brass
KN 10 S MB	brushed brass
KN 10 S K	chrome
KN 10 S AB	brushed aluminium
KN 10 S AS	black aluminium

Size:
Height: 25,5mm / Diam. 18,5mm

Mounting:
Cabinet: Screw M4 x 25mm



Mounting:
Wall: Dowel screw M4 x 40mm



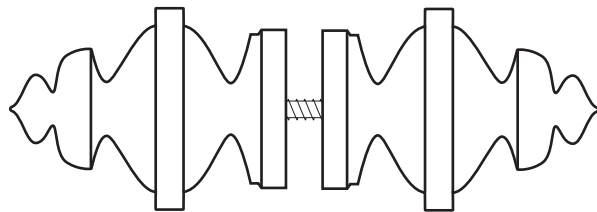
PEARL M - GLASS DOOR KNOBS

Pearl knob for glass doors. Available in three sizes, XL, L and M. Threaded rod and gaskets are included. In use for thicker doors ask for a longer threaded rod.

Art.No.	Material:
GL 1 M M	polished brass
GL 1 M MB	brushed brass
GL 1 M K	chrome
GL 1 M AB	brushed aluminium
GL 1 M AS	black aluminium

Size:
Height: 38mm / Diam. 27,5mm x 2 pcs.

Threaded rod: M4 x 25mm



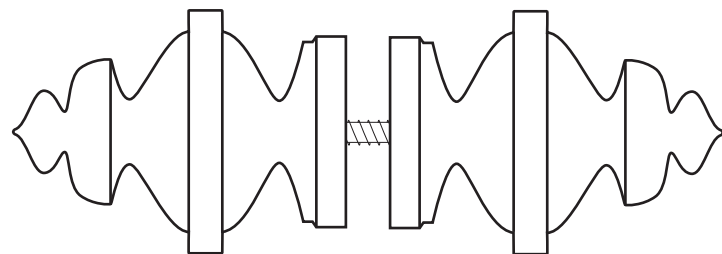
PEARL L - GLASS DOOR KNOBS

Pearl knob for glass doors. Available in three sizes, XL, L and M. Threaded rod and gaskets are included. In use for thicker doors ask for a longer threaded rod.

Art.No.	Material:
GL 1 L M	polished brass
GL 1 L MB	brushed brass
GL 1 L K	chrome
GL 1 L AB	brushed aluminium
GL 1 L AS	black aluminium

Size:
Height: 51mm / Diam. 37mm x 2 pcs.

Threaded rod: M4 x 25mm



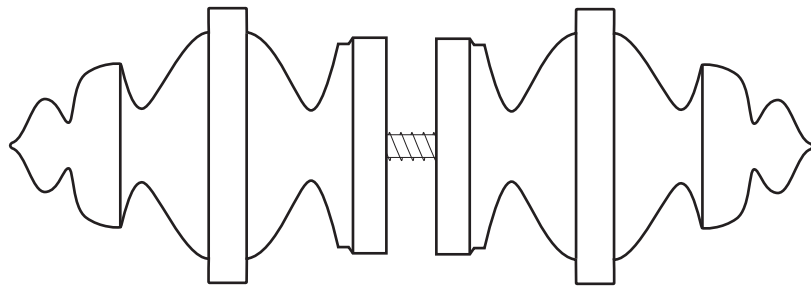
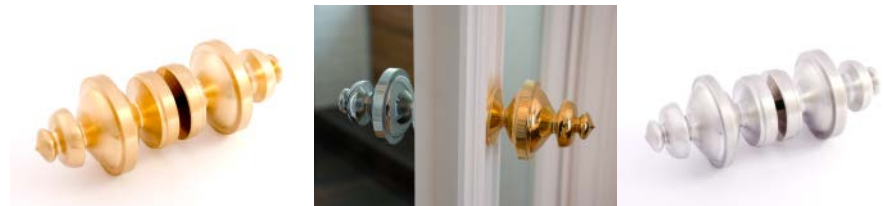
PEARL XL - GLASS DOOR KNOBS

Pearl knob for glass doors. Available in three sizes, XL, L and M. Threaded rod and gaskets are included. In use for thicker doors ask for a longer threaded rod.

Art.No.	Material:
GL 1 XL M	polished brass
GL 1 XL MB	brushed brass
GL 1 XL K	chrome
GL 1 XL AB	brushed aluminium
GL 1 XL AS	black aluminium

Size:
Height: 97mm / Diam. 70mm x 2 pcs.

Threaded rod: M6 x 25mm



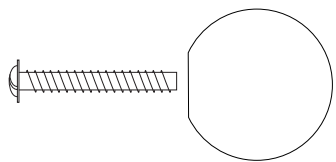
GLOBE 20 - KNOB

Globe 20 is one of three in the series, GLOBE.
This nice little knob is mounted with one screw.
Screw is included.

Art.No.	Material:
KN 7 M	polished brass
KN 7 MB	brushed brass
KN 7 K	chrome
KN 7 C	polished copper
KN 7 CB	brushed copper
KN 7 AS	black aluminium
KN 7 R	polished stainless steel
KN 7 RB	brushed stainless steel

Size:
20x19x6mm

Mounting:
For cabinet with screw M4 x 25mm



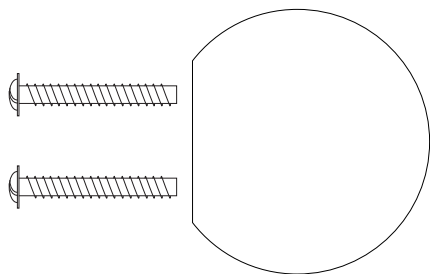
GLOBE 35 - KNOB

Globe 35 is one of three in the series, GLOBE.
This nice little knob is mounted with two screws.
Screws are included.

Art.No.	Material:
KN 8 M	polished brass
KN 8 MB	brushed brass
KN 8 K	chrome
KN 8 C	polished copper
KN 8 CB	brushed copper
KN 8 AS	black aluminium
KN 8 R	polished stainless steel
KN 8 RB	brushed stainless steel

Size: centre to centre:
35x31x6mm 14mm

Mounting:
For cabinet with screw M4 x 25mm



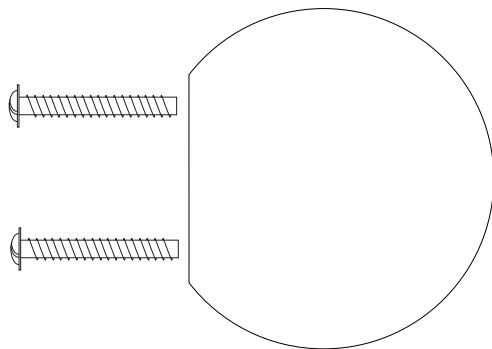
GLOBE 50 - KNOB

Globe 50 is one of three in the series, GLOBE.
This cool knob is mounted with two screws.
Screws are included.

Art.No.	Material:
KN 9 M	polished brass
KN 9 MB	brushed brass
KN 9 K	chrome
KN 9 C	polished copper
KN 9 CB	brushed copper
KN 9 AS	black aluminium
KN 9 R	polished stainless steel
KN 9 RB	brushed stainless steel

Size: centre to centre:
50x45x6mm 20mm

Mounting:
For cabinet with screw M4 x 25mm



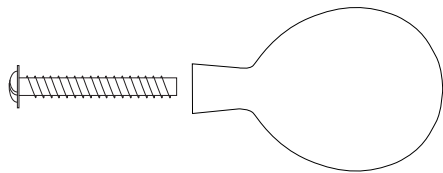
DROP 20 - KNOB

DROP 20 is a beautiful knob with a lovely drop shaped form. Combine with other sizes in the same series. Screws are included.

Art.No.	Material:
KN 25 M	polished brass
KN 25 MB	brushed brass
KN 25 K	chrome
KN 25 C	polished copper
KN 25 CB	brushed copper
KN 25 AS	black aluminium
KN 25 R	polished stainless steel
KN 25 RB	brushed stainless steel

Size:
Diam: 20mm / Height: 30mm

Mounting:
Cabinet: Screw M4 x 25mm



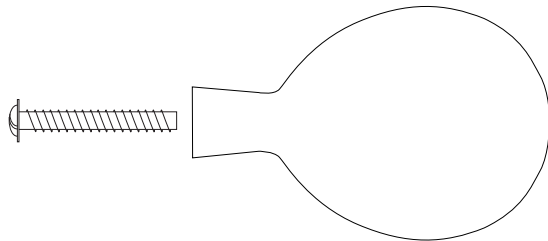
DROP 32 - KNOB/HOOK

DROP 32 is a beautiful knob and hook with a lovely drop shaped form. Combine with other sizes in the same series. Screws for both wall and cabinets are included.

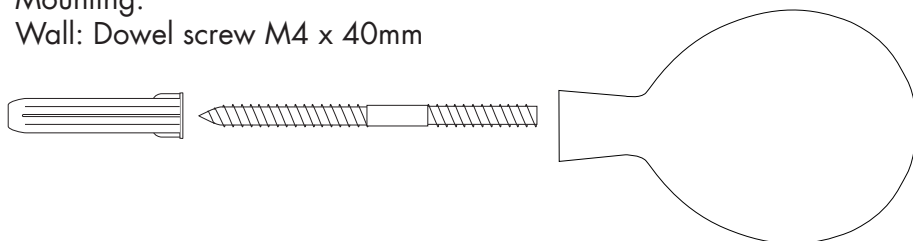
Art.No.	Material:
KN 24 M	polished brass
KN 24 MB	brushed brass
KN 24 K	chrome
KN 24 C	polished copper
KN 24 CB	brushed copper
KN 24 AS	black aluminium
KN 24 R	polished stainless steel
KN 24 RB	brushed stainless steel

Size:
Diam: 32mm / Height: 48mm

Mounting:
Cabinet: Screw M4 x 25mm



Mounting:
Wall: Dowel screw M4 x 40mm



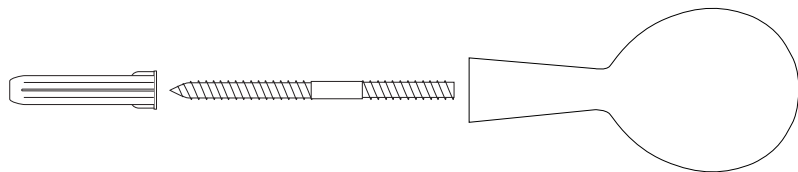
DROP 40 - HOOK

DROP 40 is a beautiful hook with a lovely drop shaped form.
Combine with other sizes in the same series.
Screw for wall is included.

Art.No.	Material:
KR 28 M	polished brass
KR 28 MB	brushed brass
KR 28 K	chrome
KR 28 C	polished copper
KR 28 CB	brushed copper
KR 28 AS	black aluminium
KR 28 R	polished stainless steel
KR 28 RB	brushed stainless steel

Size:
Diam: 20mm / Height: 40mm

Mounting:
Wall: Dowel screw M4 x 40mm



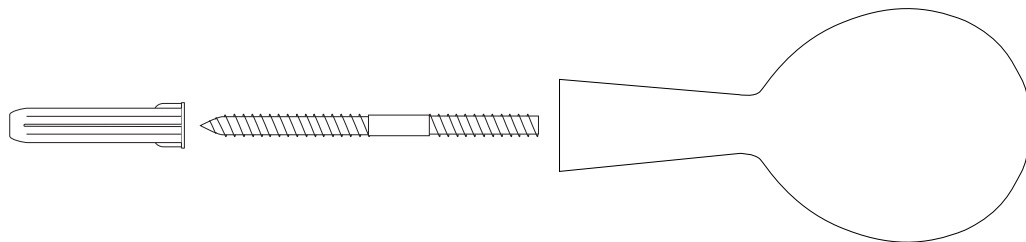
DROP 64 - HOOK

DROP 64 is a beautiful hook with a lovely drop shaped form. Combine with other sizes in the same series. Screw for wall is included.

Art.No.	Material:
KR 27 M	polished brass
KR 27 MB	brushed brass
KR 27 K	chrome
KR 27 C	polished copper
KR 27 CB	brushed copper
KR 27 AS	black aluminium
KR 27 R	polished stainless steel
KR 27 RB	brushed stainless steel

Size:
Diam: 32mm / Height: 64mm

Mounting:
Wall: Dowel screw M4 x 40mm



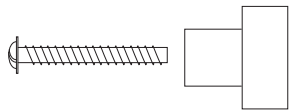
DOT 18 - HOOK/KNOB

Dot 18 is the smallest of three sizes in the series, DOT.
Screws for both wall and cabinets are included.

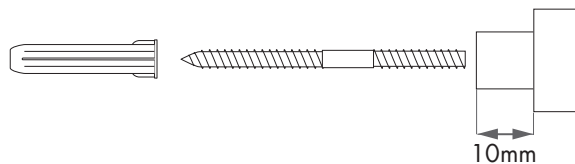
Art.No.	Material:
KN 18 M	polished brass
KN 18 MB	brushed brass
KN 18 K	chrome
KN 18 C	polished copper
KN 18 CB	brushed copper
KN 18 AB	brushed aluminium
KN 18 AS	black aluminium
KN 18 R	polished stainless steel
KN 18 RB	brushed stainless steel

Size:
Height: 18mm / Diam. 18mm

Mounting:
Cabinet: Screw M4 x 25mm



Mounting:
Wall: Dowel screw M4 x 40mm



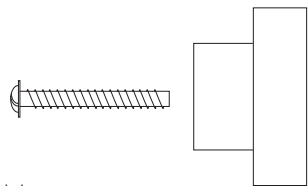
DOT 30 - HOOK/KNOB

Dot 30 is one of three sizes in the series, DOT.
Screws for both wall and cabinets are included.

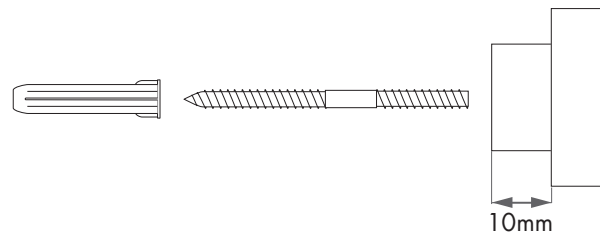
Art.No.	Material:
KN 17 M	polished brass
KN 17 MB	brushed brass
KN 17 K	chrome
KN 17 C	polished copper
KN 17 CB	brushed copper
KN 17 AB	brushed aluminium
KN 17 AS	black aluminium
KN 17 R	polished stainless steel
KN 17 RB	brushed stainless steel

Size:
Height: 19mm / Diam. 30mm

Mounting:
Cabinet: Screw M4 x 25mm



Mounting:
Wall: Dowel screw M4 x 40mm



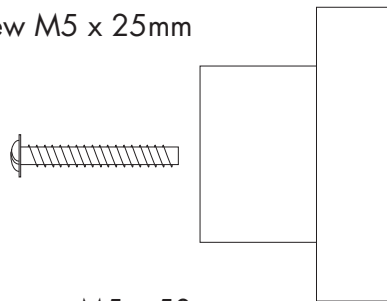
DOT 50 - KNOB / HOOK

Dot 50 is one of three sizes in the series, DOT.
Screws for both wall and cabinets are included.

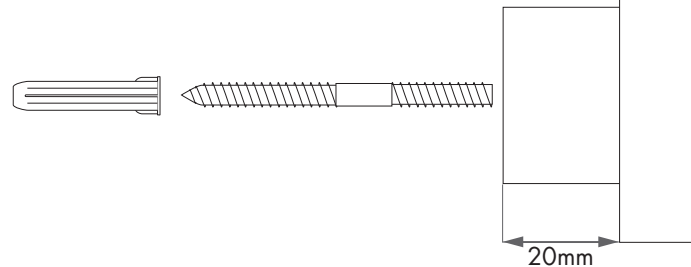
Art.No.	Material:
KN 16 M	polished brass
KN 16 MB	brushed brass
KN 16 K	chrome
KN 16 C	polished copper
KN 16 CB	brushed copper
KN 16 AB	brushed aluminium
KN 16 AS	black aluminium
KN 16 R	polished stainless steel
KN 16 RB	brushed stainless steel

Size:
Height: 33mm / Diam. 50mm

Mounting:
Cabinet: Screw M5 x 25mm



Mounting:
Wall: Dowel screw M5 x 50mm



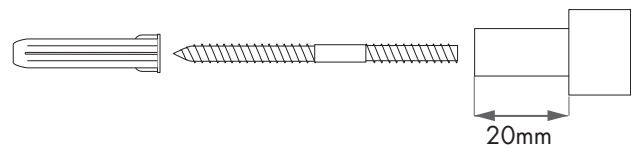
DOT 33 - HOOK

Dot 33 is the smallest wall hook in the series Dot.
Screw for wall is included.

Art.No.	Material:
KR 22 M	polished brass
KR 22 MB	brushed brass
KR 22 K	chrome
KR 22 C	polished copper
KR 22 CB	brushed copper
KR 22 AB	brushed aluminium
KR 22 AS	black aluminium
KR 22 R	polished stainless steel
KR 22 RB	brushed stainless steel

Size:
Height: 33mm / Diam. 18mm

Mounting:
Wall: Dowel screw M4 x 40mm



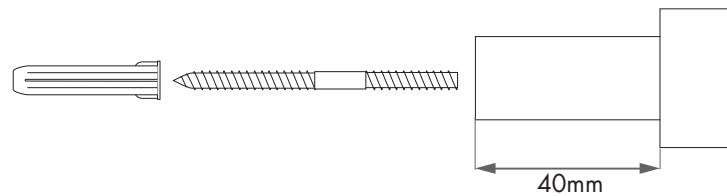
DOT 55 - HOOK

Dot 55 is one of three sizes hooks in the series, DOT.
Screw for wall is included.

Art.No.	Material:
KR 21 M	polished brass
KR 21 MB	brushed brass
KR 21 K	chrome
KR 21 C	polished copper
KR 21 CB	brushed copper
KR 21 AB	brushed aluminium
KR 21 AS	black aluminium
KR 21 R	polished stainless steel
KR 21 RB	brushed stainless steel

Size:
Height: 55mm / Diam. 30mm

Mounting:
Wall: Dowel screw M4 x 40mm



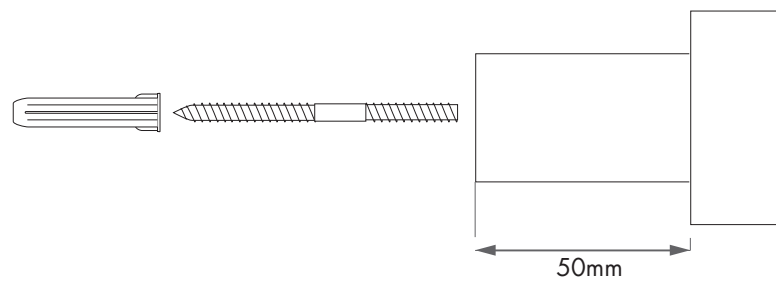
DOT 71 - HOOK

Dot 71 is the largest of three sizes hooks in the series.
Screw for wall is included.

Art.No.	Material:
KR 20 M	polished brass
KR 20 MB	brushed brass
KR 20 K	chrome
KR 20 C	polished copper
KR 20 CB	brushed copper
KR 20 AB	brushed aluminium
KR 20 AS	black aluminium
KR 20 R	polished stainless steel
KR 20 RB	brushed stainless steel

Size:
Height: 71mm / Diam. 50mm

Mounting:
Wall: Dowel screw M5 x 50mm



DOT 30 - GLASS DOOR KNOBS

The stylish knob Dot 30, for glass doors.
Threaded rod and gaskets are included.

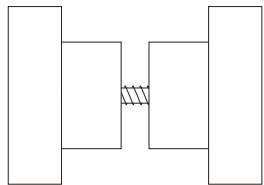
Art.No.	Material:
GL 3 M	polished brass
GL 3 MB	brushed brass
GL 3 K	chrome
GL 3 C	polished copper
GL 3 CB	brushed copper
GL 3 AB	brushed aluminium
GL 3 AS	black aluminium
GL 2 R	polished stainless steel
GL 2 RB	brushed stainless steel

Size:
Height: 19mm / Diam. 30mm x 2 pcs.

Threaded rod: M4 x 25mm

Mounting:

Our glass door knobs are delivered with two knobs, threaded rod, and gasket for back to back mounting. Fits doors up to 8mm.
In use for thicker doors ask for a longer threaded rod.



DOT 50 - GLASS DOOR KNOBS

The stylish knob Dot 50, for glass doors.
Threaded rod and gaskets are included.

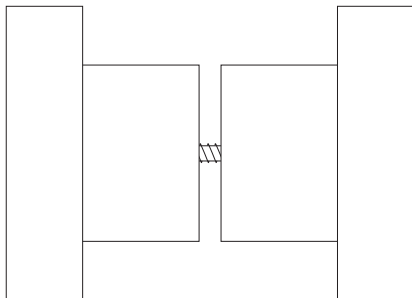
Art.No.	Material:
GL 2 M	polished brass
GL 2 MB	brushed brass
GL 2 K	chrome
GL 2 C	polished copper
GL 2 CB	brushed copper
GL 2 AB	brushed aluminium
GL 2 AS	black aluminium
GL 2 R	polished stainless steel
GL 2 RB	brushed stainless steel

Size:
Height: 33mm / Diam. 50mm x 2 pcs.

Threaded rod: M5 x 25mm

Mounting:

Our glass door knobs are delivered with two knobs, threaded rod, and gasket for back to back mounting. Fits doors up to 8mm.
In use for thicker doors ask for a longer threaded rod.



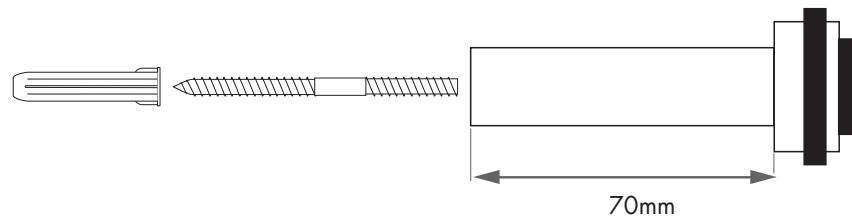
DOOR STOP

This door stop can be mounted on both wall and floor.
A lovely detail in your home or in public spaces.

Art.No.	Material:
DS 1 M	polished brass
DS 1 MB	brushed brass
DS 1 K	chrome
DS 1 C	polished copper
DS 1 CB	brushed copper
DS 1 AS	black aluminium
DS 1 R	polished stainless steel
DS 1 RB	brushed stainless steel

Size:
Height 89mm / Diam. 36mm

Mounting:
Wall or floor. Dowel screw M8



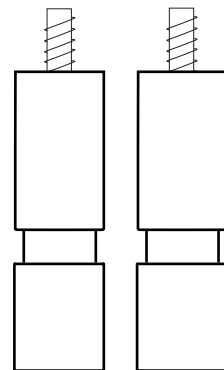
LEG 100

Our legs are available in two different lengths, 100mm and 170mm. Threaded rod M8 is included. We have a transition from M8 to M10 if needed. If so, please contact us.

Art.No.	Material:
BN 2 M	polished brass
BN 2 MB	brushed brass
BN 2 C	polished copper
BN 2 CB	brushed copper
BN 2 AS	black aluminium
BN 2 R	polished stainless steel
BN 2 RB	brushed stainless steel

Size:
Height: 100 mm / Diam. 30mm

Mounting:
Threaded rod, M8



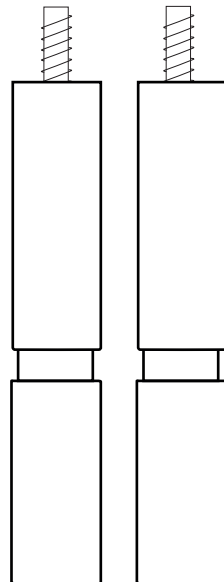
LEG 170

Our legs are available in two lengths, 100mm and 170mm. Threaded rod M8 is included. We have a transition from M8 to M10 if needed. If so, please contact us.

Art.No.	Material:
BN 3 M	polished brass
BN 3 MB	brushed brass
BN 3 C	polished copper
BN 3 CB	brushed copper
BN 3 AS	black aluminium
BN 3 R	polished stainless steel
BN 3 RB	brushed stainless steel

Size:
Height: 170 mm / Diam. 30mm

Mounting:
Threaded rod, M8



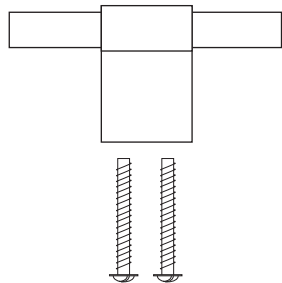
LINE 60 - KNOB

Line 60 is an elegant little knob. Combine with the handles in the same series.

Art.No.	Material:
KN 28 M	polished brass
KN 28 MB	brushed brass
KN 28 K	chrome
KN 28 KS	black chrome

Size:	centre to centre:
60x30x8mm	12mm

Mounting:
Mounted with two screw.
Screws: M4 x 25mm



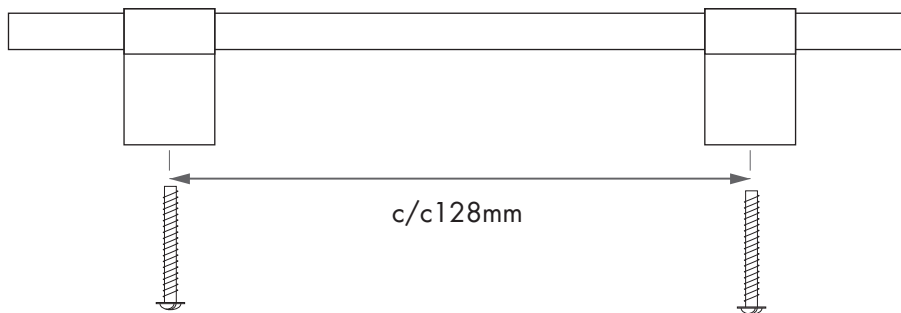
LINE 198 - HANDLE

Line 198 is a elegant and slim handle.
The handle comes in several different lengths.

Art.No.	Material:
HA 60 M	polished brass
HA 60 MB	brushed brass
HA 60 K	chrome
HA 60 KS	black chrome

Size: 198x30x8mm centre to centre:
128mm

Mounting:
The centre to centre measure is 128mm
Screw: M4 x 25mm



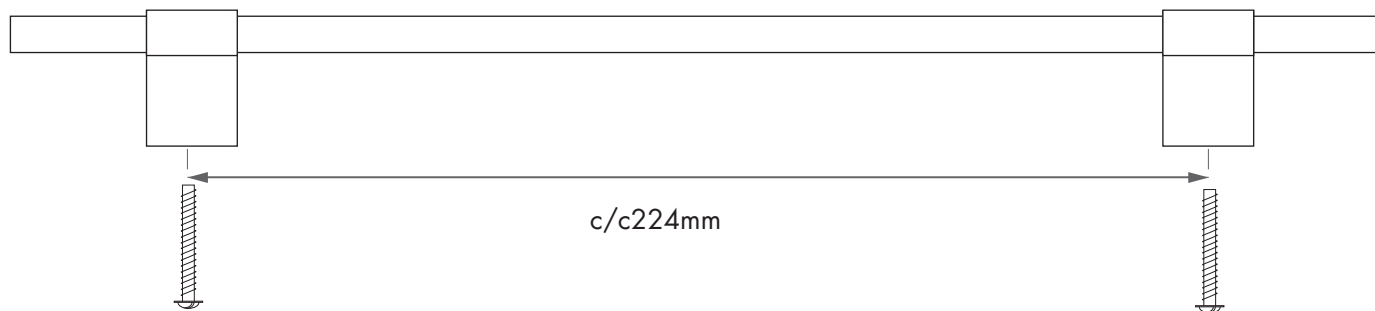
LINE 304 - HANDLE

LINE 304 is a elegant and slim handle.
The handle comes in several different lengths.

Art.No.	Material:
HA 61 M	polished brass
HA 61 MB	brushed brass
HA 61 K	chrome
HA 61 KS	black chrome

Size:	centre to centre:
304x30x8mm	224mm

Mounting:
The centre to centre measure is 224mm
Screw: M4 x 25mm



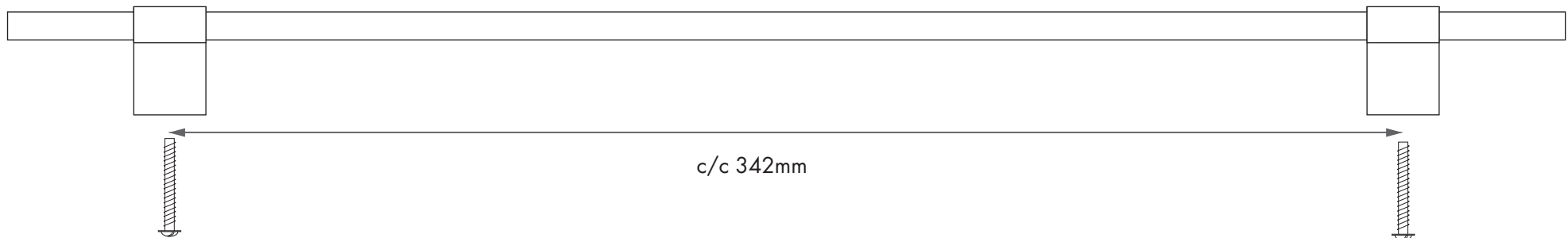
LINE 432 - HANDLE

Line 432 is a elegant and slim handle.
The handle comes in several different lengths.

Art.No.	Material:
HA 62 M	polished brass
HA 62 MB	brushed brass
HA 62 K	chrome
HA 62 KS	black chrome

Size:	centre to centre:
432x30x8mm	342mm

Mounting:
The centre to centre measure is 342mm
Screw: M4 x 25mm



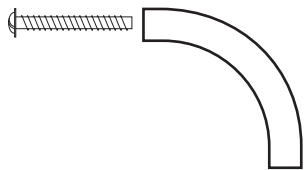
CURVE 30 - KNOB

This nice little knob is part of the series CURVE.
Combine with the handles or use it all by itself.

Art.No.	Material:
KN 19 M	polished brass
KN 19 MB	brushed brass
KN 19 K	chrome
KN 19 KS	black chrome
KN 19 C	polished copper
KN 19 CB	brushed copper
KN 19 R	polished stainless steel
KN 19 RB	brushed stainless steel

Size: centre to centre:
30x30x30x8mm 16mm

Mounting:
The centre to centre measure is 16mm
Screw: M4 x 25mm x 2 pcs



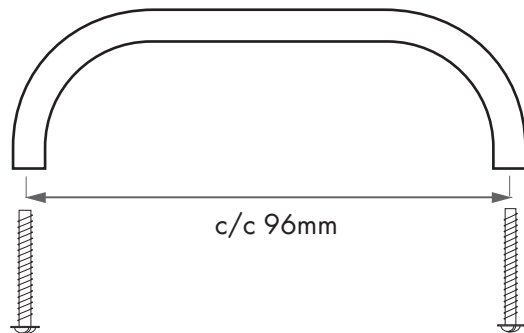
CURVE 104 - HANDLE

An elegant handle in solid materials such as, brass, copper, stainless steel, chrome, and black chrome. The handle comes in several different lengths.

Art.No.	Material:
HA 53 M	polished brass
HA 53 MB	brushed brass
HA 53 K	chrome
HA 53 KS	black chrome
HA 53 C	polished copper
HA 53 CB	brushed copper
HA 53 R	polished stainless steel
HA 53 RB	brushed stainless steel

Size: centre to centre:
104x30x30x8mm 96mm

Mounting:
The centre to centre measure is 96mm
Screw: M4 x 25mm are included



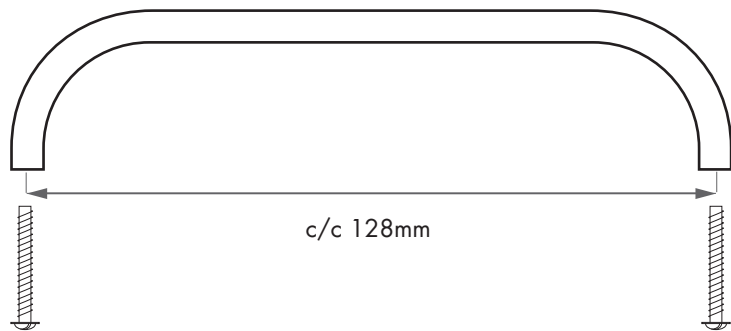
CURVE 136 - HANDLE

An elegant handle in solid materials such as, brass, copper, stainless steel, chrome, and black chrome. The handle comes in several different lengths.

Art.No.	Material:
HA 49 M	polished brass
HA 49 MB	brushed brass
HA 49 K	chrome
HA 49 KS	black chrome
HA 49 C	polished copper
HA 49 CB	brushed copper
HA 49 R	polished stainless steel
HA 49 RB	brushed stainless steel

Size: centre to centre:
136x30x30x8mm 128mm

Mounting:
The centre to centre measure is 128mm
Screw: M4 x 25mm are included



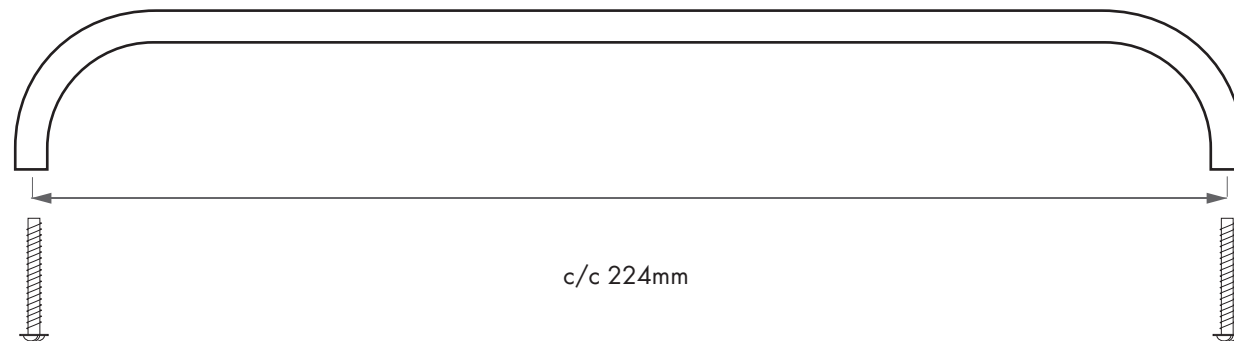
CURVE 232 - HANDLE

An elegant handle in solid materials such as, brass, copper, stainless steel, chrome, and black chrome. The handle comes in several different lengths.

Art.No.	Material:
HA 50 M	polished brass
HA 50 MB	brushed brass
HA 50 K	chrome
HA 50 KS	black chrome
HA 50 C	polished copper
HA 50 CB	brushed copper
HA 50 R	polished stainless steel
HA 50 RB	brushed stainless steel

Size: centre to centre:
232x30x30x8mm 224mm

Mounting:
The centre to centre measure is 224mm
Screw: M4 x 25mm are included



CURVE 440 - HANDLE

An elegant handle in solid materials such as, brass, copper, stainless steel, chrome, and black chrome. The handle comes in several different lengths.

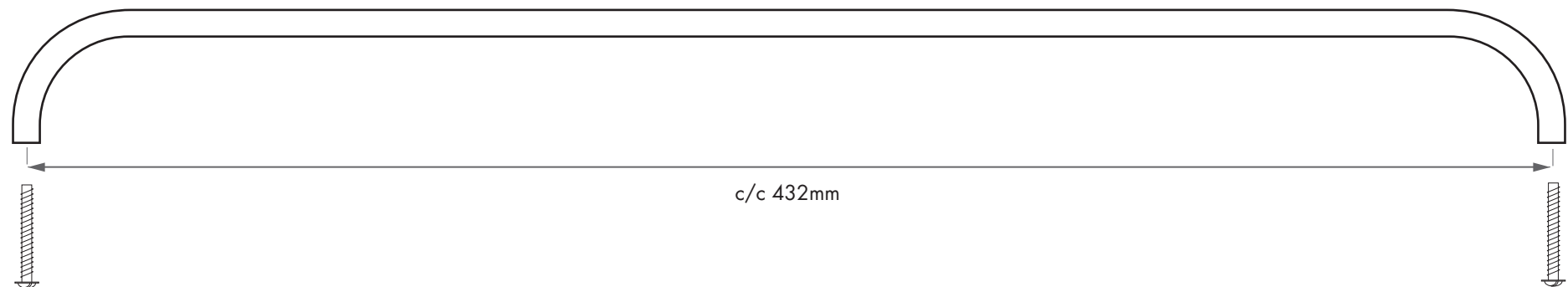
Art.No.	Material:
HA 52 M	polished brass
HA 52 MB	brushed brass
HA 52 K	chrome
HA 52 KS	black chrome
HA 52 C	polished copper
HA 52 CB	brushed copper
HA 52 R	polished stainless steel
HA 52 RB	brushed stainless steel

Size: centre to centre:
440x30x30x8mm 432mm

Mounting:

The centre to centre measure is 432mm

Screw: M4 x 25mm are included



SLIM 104 - HANDLE

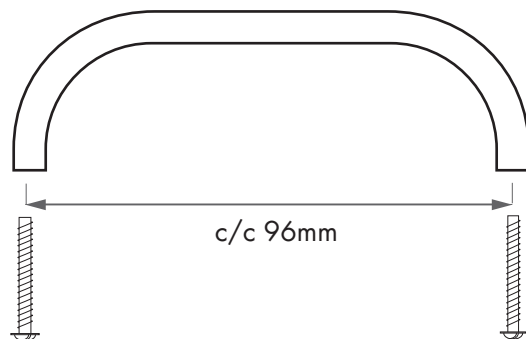
An elegant handle in solid brass, copper, stainless steel, chrome and black chrome.

The handle comes in several different lengths.

Art.No.	Material:
HA 55 M	polished brass
HA 55 MB	brushed brass
HA 55 K	chrome
HA 55 KS	black chrome
HA 55 C	polished copper
HA 55 CB	brushed copper
HA 55 R	polished stainless steel
HA 55 RF	brushed stainless steel

Size: 104x30x30x8mm
centre to centre: 96mm

Mounting:
The centre to centre measure is 96mm
Screw: M4 x 25mm are included.



SLIM 136 - HANDLE

An elegant handle in solid brass, copper, stainless steel, chrome and black chrome.

The handle comes in several different lengths.

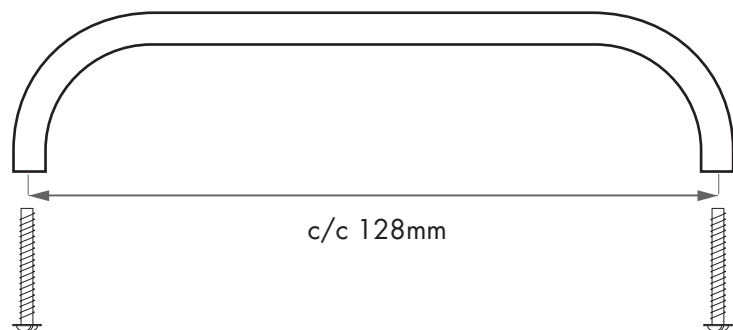
Art.No.	Material:
HA 56 M	polished brass
HA 56 MB	brushed brass
HA 56 K	chrome
HA 56 KS	black chrome
HA 56 C	polished copper
HA 56 CB	brushed copper
HA 56 R	polished stainless steel
HA 56 RB	brushed stainless steel

Size: 136x30x30x8mm
centre to centre: 128mm

Mounting:

The centre to centre measure is 128mm

Screw: M4 x 25mm are included.



SLIM 232 - HANDLE

An elegant handle in solid brass, copper, stainless steel, chrome and black chrome.

The handle comes in several different lengths.

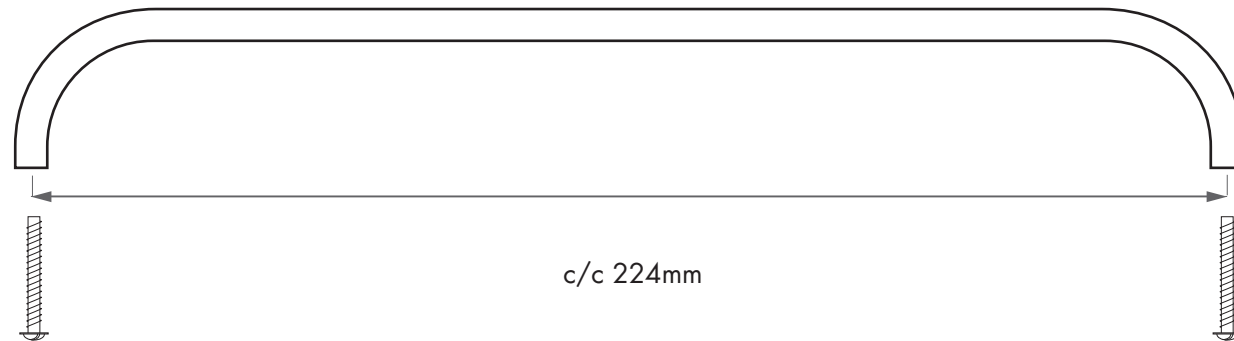
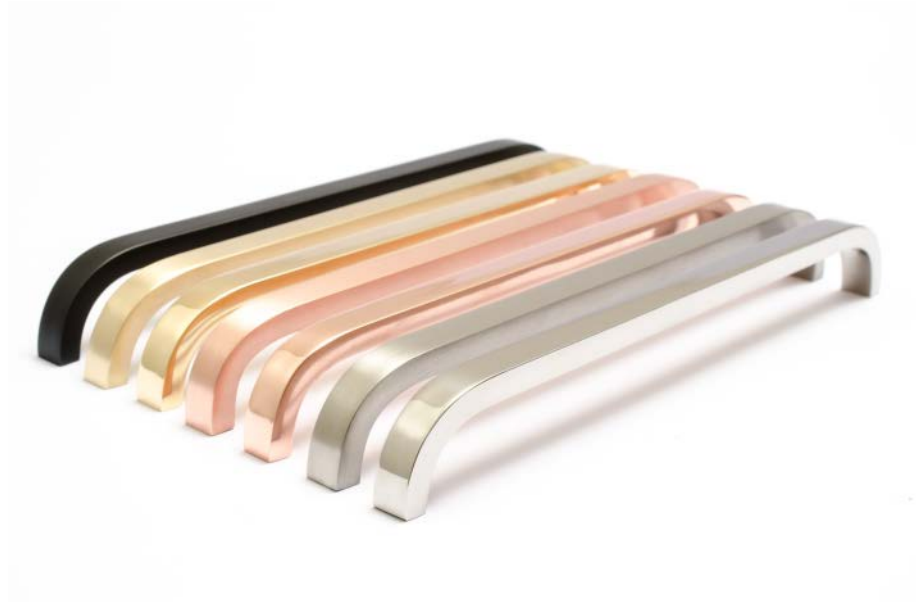
Art.No.	Material:
HA 57 M	polished brass
HA 57 MB	brushed brass
HA 57 K	chrome
HA 57 KS	black chrome
HA 57 C	polished copper
HA 57 CB	brushed copper
HA 57 R	polished stainless steel
HA 57 RF	brushed stainless steel

Size: cente to centre:
232x12x30x8mm 224mm

Mounting:

The centre to centre measure is 224mm

Screw: M4 x 25mm are included.



SLIM 440 - HANDLE

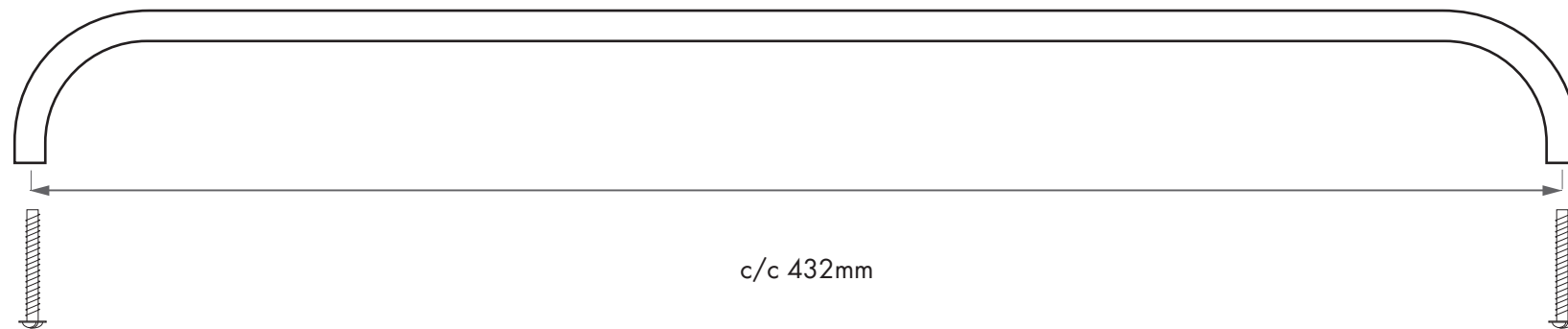
An elegant handle in solid brass, stainless steel, copper, chrome and black chrome.

The handle comes in several different lengths.

Art.No.	Material:
HA 58 M	polished brass
HA 58 MB	brushed brass
HA 58 K	chrome
HA 58 KS	black chrome
HA 58 C	polished copper
HA 58 CB	brushed copper
HA 58 R	polished stainless steel
HA 58 RF	brushed stainless steel

Size: 440x12x30x8mm
centre to centre: 432mm

Mounting:
The centre to centre measure is 432mm
Screw: M4 x 25mm are included.



SLIM 800 - HANDLE

An elegant handle in solid brass, stainless steel, chrome and copper. The handle comes in several different sizes. This handle is NOT available in black chrome.

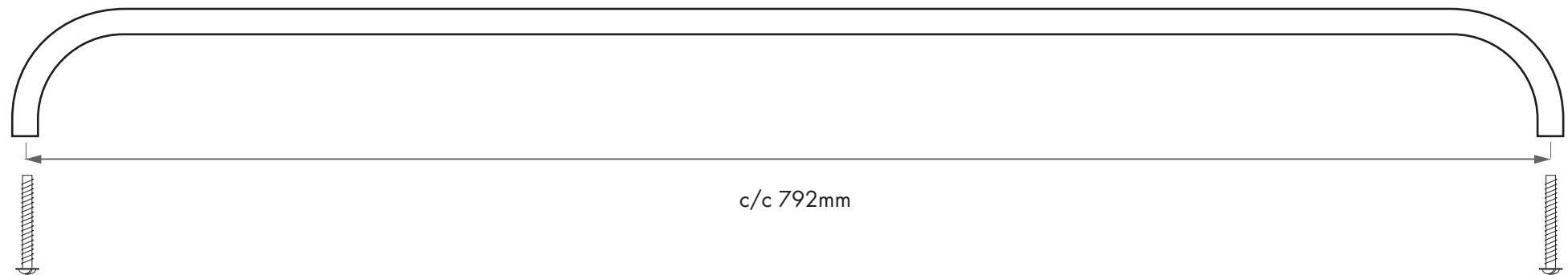
Art.No.	Material:
HA 59 M	polished brass
HA 59 MB	brushed brass
HA 59 K	chrome
HA 59 C	polished copper
HA 59 CB	brushed copper
HA 59 R	polished stainless steel
HA 59 RF	brushed stainless steel

Size: 800x12x30x8mm
centre to centre: 792mm

Mounting:

The centre to centre measure is 792mm

Screw: M4 x 25mm are included.



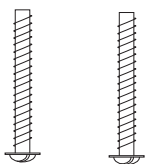
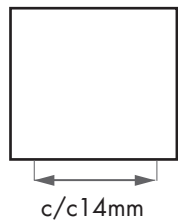
CLEAN CUT 22 - KNOB

A very nice knob in the collection Clean Cut.

Art.No.	Material:
KN 5 M	polished brass
KN 5 MB	brushed brass
KN 5 K	chrome
KN 5 KS	black chrome
KN 5 C	polished copper
KN 5 CB	brushed copper
KN 5 R	polished stainless steel
KN 5 RB	brushed stainless steel

Size: 22x20x6mm
centre to centre: 14mm

Mounting:
The centre to centre measure is 14mm
Screw: M4 x 25mm are included



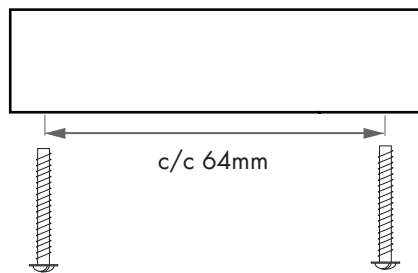
CLEAN CUT 80 - HANDLE

The Clean Cut 80 is very nice to combine with the other handles in the collection Clean Cut. Make your own mix in the kitchen or closet.

Art.No.	Material:
HA 13 M	polished brass
HA 13 MB	brushed brass
HA 13 K	chrome
HA 13 KS	black chrome
HA 13 C	polished copper
HA 13 CB	brushed copper
HA 13 R	polished stainless steel
HA 13 RB	brushed stainless steel

Size: centre to centre:
80x20x6mm 64mm

Mounting:
The centre to centre measure is 64mm
Screw: M4 x 25mm are included



CLEAN CUT 180 - HANDLE

The Clean Cut 180 is very nice to combine with the other handles in the collection Clean Cut. Make your own mix in the kitchen or closet.

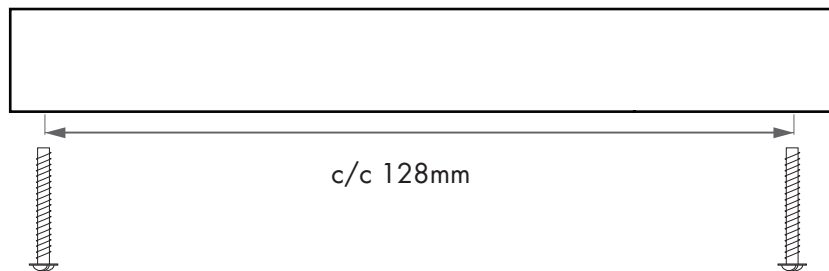
Art.No.	Material:
HA 14 M	polished brass
HA 14 MB	brushed brass
HA 14 K	chrome
HA 14 KS	black chrome
HA 14 C	polished copper
HA 14 CB	brushed copper
HA 14 R	polished stainless steel
HA 14 RB	brushed stainless steel

Size: centre to centre:
180x20x6mm 128mm

Mounting:

The centre to centre measure is 128mm

Screw: M4 x 25mm are included



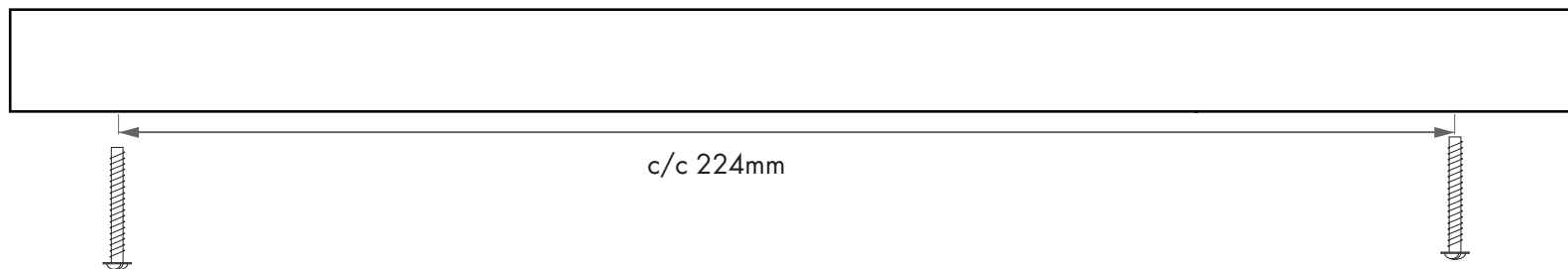
CLEAN CUT 300 - HANDLE

The Clean Cut 300 is very nice to combine with the other handles in the collection Clean Cut. Make your own mix in the kitchen or closet.

Art.No.	Material:
HA 15 M	polished brass
HA 15 MB	brushed brass
HA 15 K	chrome
HA 15 KS	black chrome
HA 15 C	polished copper
HA 15 CB	brushed copper
HA 15 R	polished stainless steel
HA 15 RB	brushed stainless steel

Size: centre to centre:
300x20x6mm 224mm

Mounting:
The centre to centre measure is 224mm
Screw: M4 x 25mm are included



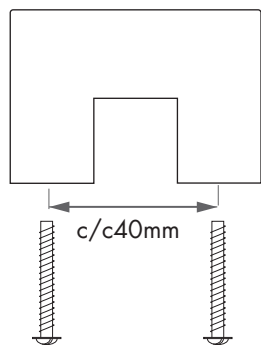
CLEAN CUT 60 - HANDLE

The Clean Cut 60 is very nice to combine with the other handles in the collection Clean Cut. Make your own mix in the kitchen or closet.

Art.No.	Material:
HA 41 M	polished brass
HA 41 MB	brushed brass
HA 41 K	chrome
HA 41 KS	black chrome
HA 41 C	polished copper
HA 41 CB	brushed copper
HA 41 R	polished stainless steel
HA 41 RB	brushed stainless steel

Size: centre to centre:
60x42x6mm 40mm

Mounting:
The centre to centre measure is 40mm
Screw: M4 x 25mm are included



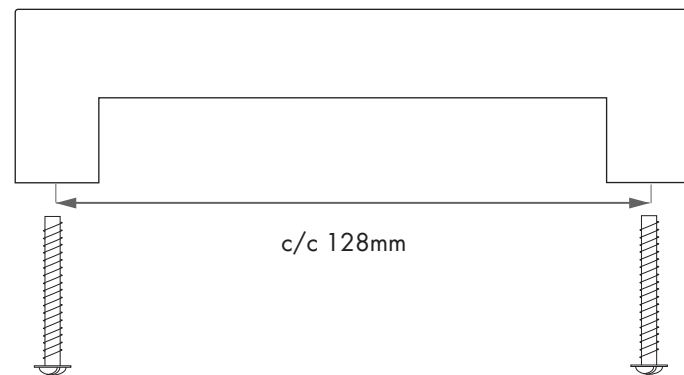
CLEAN CUT 148 - HANDLE

The Clean Cut 148 is very nice to combine with the other handles in the collection Clean Cut. Make your own mix in the kitchen or closet.

Art.No.	Material:
HA 40 M	polished brass
HA 40 MB	brushed brass
HA 40 K	chrome
HA 40 KS	black chrome
HA 40 C	polished copper
HA 40 CB	brushed copper
HA 40 R	polished stainless steel
HA 40 RB	brushed stainless steel

Size: centre to centre:
148x42x6mm 128mm

Mounting:
The centre to centre measure is 128mm
Screw: M4 x 25mm are included



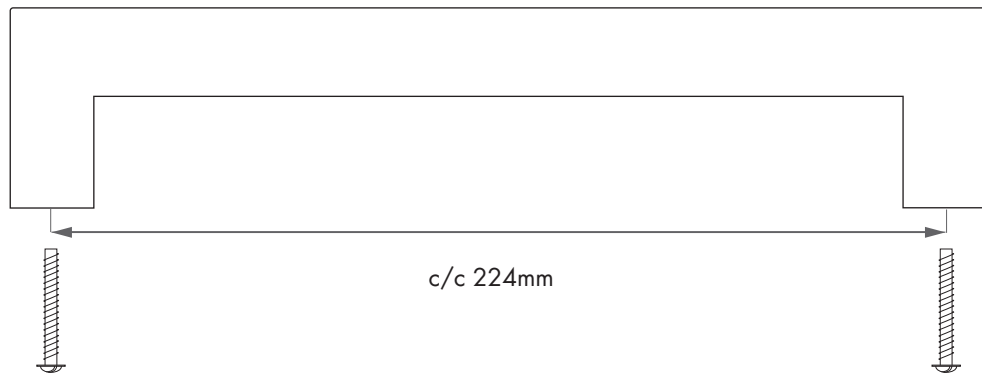
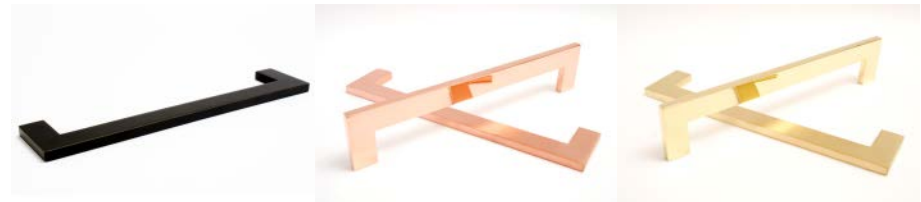
CLEAN CUT 244 - HANDLE

The Clean Cut 244 has extra thick material. It is perfect on the wardrobe or if you prefer, the kitchen cabinets.

Art.No.	Material:
HA 42 M	polished brass
HA 42 MB	brushed brass
HA 42 K	chrome
HA 42 KS	black chrome
HA 42 C	polished copper
HA 42 CB	brushed copper
HA 42 R	polished stainless steel
HA 42 RB	brushed stainless steel

Size: centre to centre:
244x50x8mm 224mm

Mounting:
The centre to centre measure is 224mm
Screw: M4 x 25mm are included



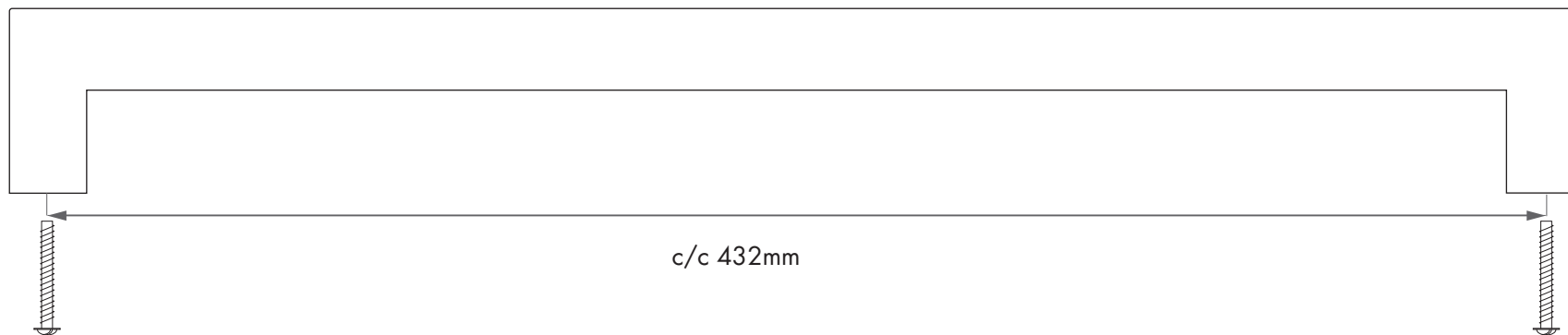
CLEAN CUT 452 - HANDLE

The Clean Cut 452 has extra thick material. It is perfect on the wardrobe or if you prefer, the kitchen cabinets.

Art.No.	Material:
HA 46 M	polished brass
HA 46 MB	brushed brass
HA 46 K	chrome
HA 46 KS	black chrome
HA 46 C	polished copper
HA 46 CB	brushed copper
HA 46 R	polished stainless steel
HA 46 RB	brushed stainless steel

Size: centre to centre:
452x50x8mm 432mm

Mounting:
The centre to centre measure is 432mm
Screw: M4 x 25mm are included



SQUARE - WALL HANGER

A beautiful and exclusive wall hanger with room for several hangers.

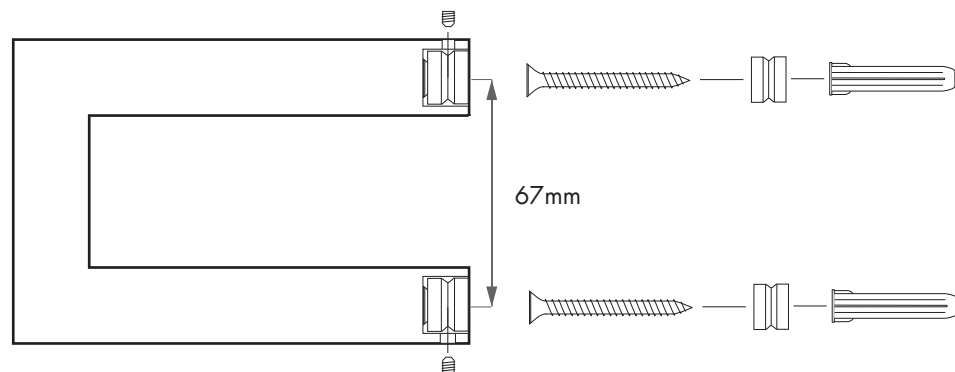
Wall mount and screws are included.

Art.No.	Material:
KH 1 M	polished brass
KH 1 MB	brushed brass
KH 1 K	chrome
KH 1 KS	black chrome
KH 1 C	polished copper
KH 1 CB	brushed copper

Size: centre to centre:
120x87x20mm 67mm

Mounting:

Screw up the two wall mounts, with center to center 67 mm, place the hanger on top of the wall mounts and fix it with the grub screws.

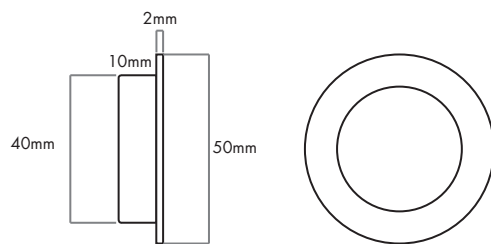


SLIDING DOOR HANDLE

Handle for sliding doors.

Art.No. Material:
SKJ 1 M polished brass
SKJ 1 MB brushed brass
SKJ 1 K chrome

Size:

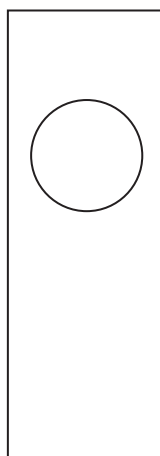


BACKPLATE 170 - FOR SLIDING DOORS

Backplate for sliding doors. Clean, simple and beautiful.

Art.No. Material:
LS 10 M polished brass
LS 10 MB brushed brass
LS 10 K chrome

Size:
170x60x2mm
Together with the handle SKJ 1, the thickness is 4mm.



CLEAN CUT - DOOR HANDLE

This is an exclusive and elegant handle in solid materials.
Comes with an 8x90mm spindle and a small grub screw.

Art.No.	Material:
TR 1 M	polished brass
TR 1 MB	brushed brass
TR 1 K	chrome
TR 1 AS	black aluminium

Size:
140x60x6mm

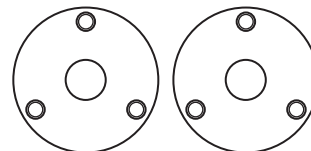
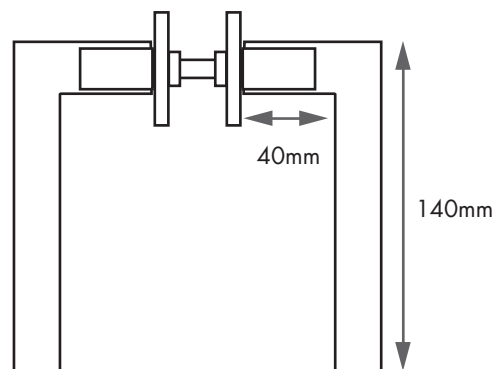


CLEAN CUT - ROSE

The rose comes with three wood screws.

Art.No.	Material:
RS 4 M	polished brass
RS 4 MB	brushed brass
RS 4 K	chrome
RS 4 AS	black aluminium

Size:
55x6mm



KEYHOLE ESCUTCHEON

Our keyhole escutcheon are available in solid polished brass, brushed brass, black aluminium and chrome.
Screws are included.

Art.No.	Material:
NY 2 M	polished brass
NY 2 MB	brushed brass
NY 2 K	chrome
NY 2 AS	black aluminium

Size:
55x6mm



BATHROOM TURN AND RELEASE

Our bathroom locks are available in solid polished brass, brushed brass, black aluminium and chrome.
Comes with a 5x45mm spindle and screws.

Art.No.	Material:
WCS 4 M	polished brass
WCS 4 MB	brushed brass
WCS 4 K	chrome
WCS 4 AS	black aluminium

Size:
55x6mm



EURO PROFILE ESCUTCHEON

Euro profile escutcheon in solid polished brass, brushed brass, black aluminium and chrome.
Wood screws are included.

Art.No.	Material:
CY EU 2 M	polished brass
CY EU 2 MB	brushed brass
CY EU 2 K	chrome
CY EU 2 AS	black aluminium

Size:
55x6mm



BACKPLATE

We have several backplates to choose from.
Here you can see some examples. Screws are included.

Material:

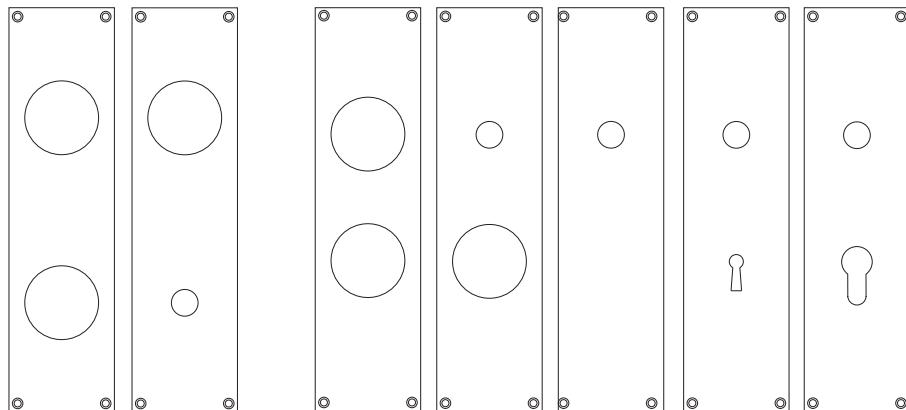
LSH xx M polished brass
LSH xx MB brushed brass
LSH xx K chrome
LSH xx AS black aluminium

Size:

230x60x2mm

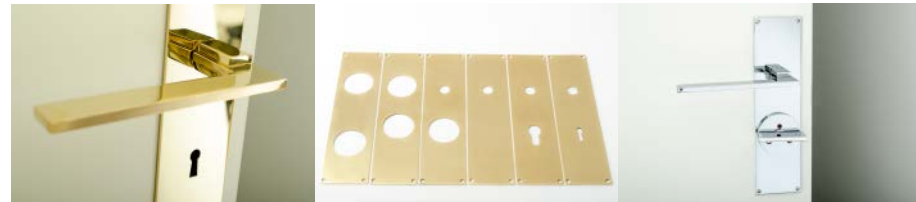
There is two different center to center measures depending
on what lockcase you have. Center to center 105mm or 72mm

PLEASE CONTACT US FOR FURTHER INFORMATION.



LSH 12 LSH 25
c/c 105mm c/c 105mm

LSH 13 LSH 15 LSH 16 LSH 19 LSH 22
c/c 72mm c/c 72mm c/c 72mm c/c 72mm c/c 72mm



PUTS

PUTS cleaner works on most metal surfaces like; stainless steel, chrome, copper, brass, aluminium, silver and gold. The ingredience are kind to the environment and do not make marks and scratches on the surface.

How to use:

Shake the bottle well. Put a few drops of PUTS on a damp sponge/cloth. Clean the product. Be careful with surrounding materials because the cleaner can leave white stains. Rinse carefully under water or wipe off with clean damp sponge/cloth. Wipe dry from all excess cleaner and water.

