



L I A

'Cutting through darkness'

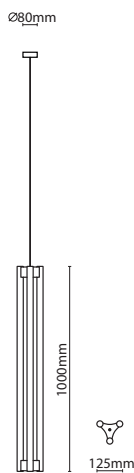
Designed by
Peter Straka
Vienna 2005 - 07

L I A's three-flamed elegance captivates when on, yet this suspension light almost disappears into its surrounding when the lights are off.



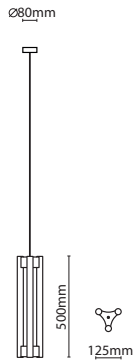
Process: The brass is cut, bent in its shape and polished. Then all the components are nickel plated or the brass is brushed and painted with a clear lacquer to maintain the natural effect of the brass. Lastly all parts are assembled to the L I A lighting object.

L I A Suspension 100



Type	Suspension light
Material	Brass
Environment	Indoors
Dimension	1000 mm
Cable Length	Standard mounting 1500 mm
Weight	1.4 kg
Certification	IP20 CE
EU/UK	230 V
Ceiling Rose	Ø 80 x 25 mm; flat Ø 100
Lamps	3 x linear opal LED S14s*, 3 x 16.5 W, 2700 K, dimmable, 3 x 1000 lm, energy class A
050 01 101 11	polished nickel with transparent cable
050 01 202 12	brushed brass with black fabric cable

L I A
Suspension 50



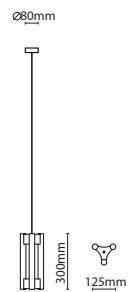
Type
Material
Environment
Dimensions
Cable Length
Weight
Certification
EU/UK
Ceiling Rose
Lamps

Suspension light
Brass
Indoors
500 mm
Standard mounting 1500 mm
1.1kg
IP20 CE
230 V
round 80 x 25 mm; flat Ø 100
Ø 80 x 25 mm
3 x linear opal LED S14s*, 3 x 9 W, 2700 K,
dimmable, 3 x 450 lm, energy class A

050 02 101 11
050 02 202 12

Polished nickel with transparent cable
Brushed brass with black fabric cable

L I A
Suspension 30



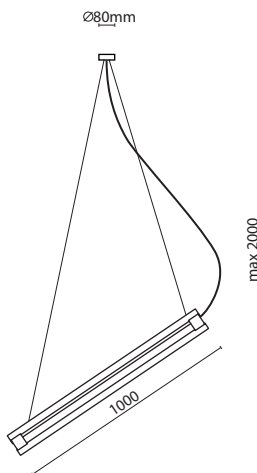
Type
Material
Environment
Dimension
Cable Length
Weight
Certification
EU/UK
Ceiling Rose
Lamps

Suspension light
Brass
Indoors
300 mm
Standard mounting 1500 mm
0.8 kg
IP20 CE
230 V
Ø 80 x 25 mm; flat Ø 100
3 x linear opal LED S14s*, 3 x 6 W, 2700 K,
dimmable, 3 x 250 lm, energy class A

050 03 101 11
050 03 202 12

polished nickel with transparent cable
brushed brass with black fabric cable

L I A
Suspension
Diagonal 100



Type
Material
Environment
Dimension
Cable Length
Weight
Certification
EU/UK
Ceiling Rose
Lamps

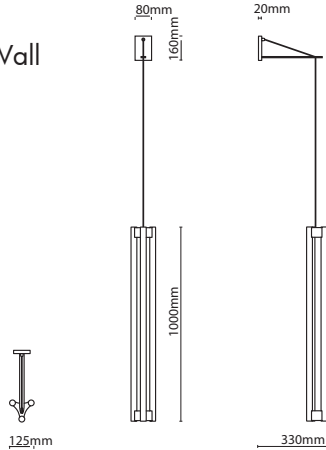
Suspension light
Brass
Indoors
1000/500/300 mm
Standard mounting 1500 mm
Max. 2000 mm
1.4 kg
IP20 CE
230 V
Ø 80 x 25 mm
3 x linear opal LED S14s*, 3 x 16.5 W, 2700
K, dimmable, 3 x 1000 lm, energy class A

050 04 101 11
050 04 202 12

polished nickel with transparent cable
brushed brass with black fabric cable

* LIA diagonal is available as LIA 100, 50 and 30

L I A
Suspension Wall
100

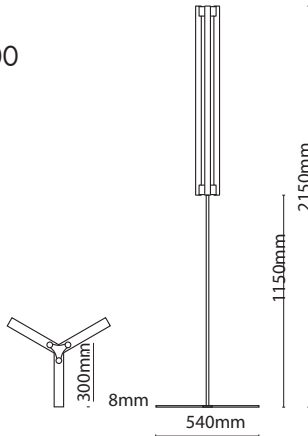


Type Suspension light
 Material Brass
 Environment Indoors
 Dimension 1000/500/300 mm
 Wall bracket 330 x 160 x 80 mm
 Cable Length Standard mounting 1500 mm
 Weight 1.4 kg
 Certification IP20 CE
 EU/UK 230 V
 Lamps 3 x linear opal LED S14s*, 3 x 16.5 W, 2700 K, dimmable, 3 x 1000 lm, energy class A

050 01 101 11 polished nickel with transparent cable
 050 01 202 12 brushed brass with black fabric cable
 050 11 101 11 polished nickel wall bracket brushed brass
 050 11 202 12 wall bracket

* LIA wall is available as LIA 100, 50 and 30

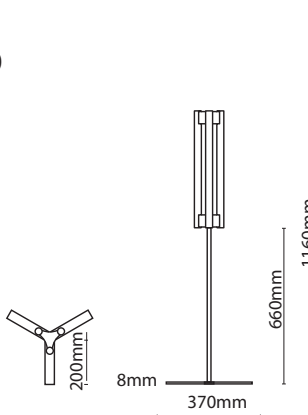
L I A
Floor 100



Type Floor light
 Material Brass
 Environment Indoors
 Dimension 2150 mm
 Cable Length 1500 mm
 Weight 2.3 kg
 Certification IP20 CE
 EU/UK 230 V
 Ceiling Rose 3 x linear opal LED S14s*, 3 x 16.5 W, 2700 K, dimmable, 3 x 1000 lm, energy class A
 Lamps

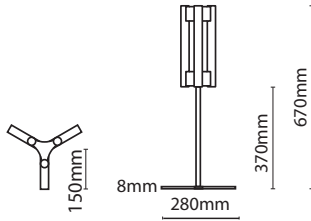
050 06 101 11 polished nickel with transparent cable
 050 06 202 12 brushed brass with black fabric cable

L I A
Floor 50



Type Floor light
 Material Brass
 Environment Indoors
 Dimension 1160 mm
 Cable Length 1500 mm
 Weight 1.6kg
 Certification IP20 CE
 EU/UK 230 V
 Ceiling Rose 3 x linear opal LED S14s*, 3 x 9 W, 2700 K, dimmable, 3 x 450 lm, energy class A
 Lamps

050 07 101 11 polished nickel with transparent cable
 050 07 202 12 brushed brass with black fabric cable

L I A
Table 30

Type	Floor light
Material	Brass
Environment	Indoors
Dimension	670 mm
Cable Length	1500 mm
Weight	1.2 kg
Certification	IP20 CE
EU/UK	230 V
Lamps	3 x linear opal LED S14s*, 3 x 6 W, 2700K, dimmable, 3 x 250 lm, energy class A
050 08 101 11	polished nickel with transparent cable
050 08 202 12	brushed brass with black fabric cable

* Under unfavorable conditions these lamps can lead to acoustic noise. In case of resonance even low noise can cause audible effect. The installation as well as the dimmer or the transformer (harmonics or electronic resonance) are possible influencing factors.

** Please contact sales@kaia.at for further information on dimmers etc. Please note KAIA Ltd cannot take any responsibility for the connection with your dimming or central control system. It is the customer's responsibility to ensure the compatibility with their systems.

www.kaia.at

sales@kaia.at