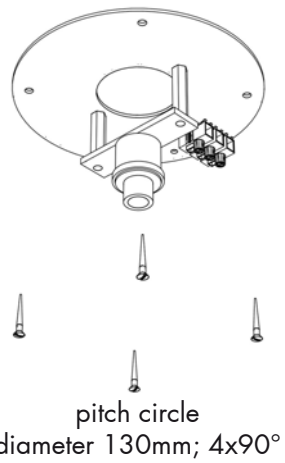
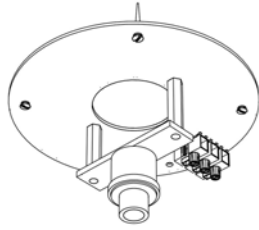


ORA Mounting instructions 1/2

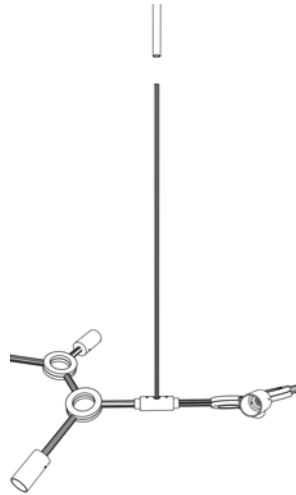
1.



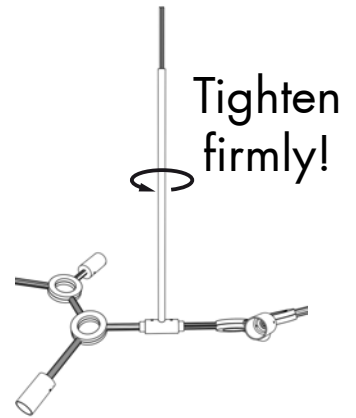
2.



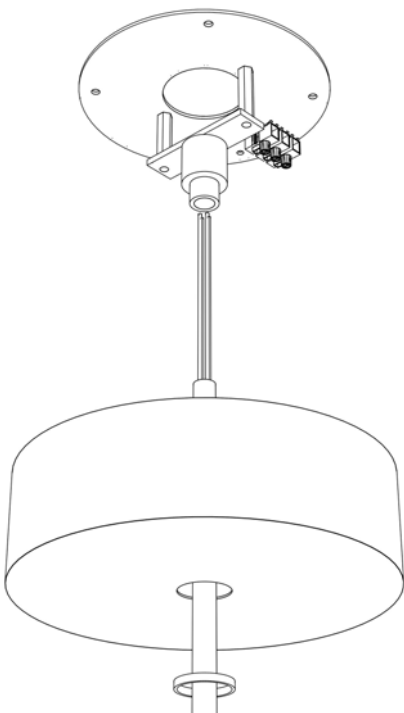
3.



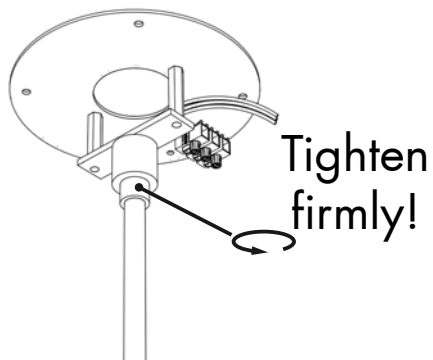
4.



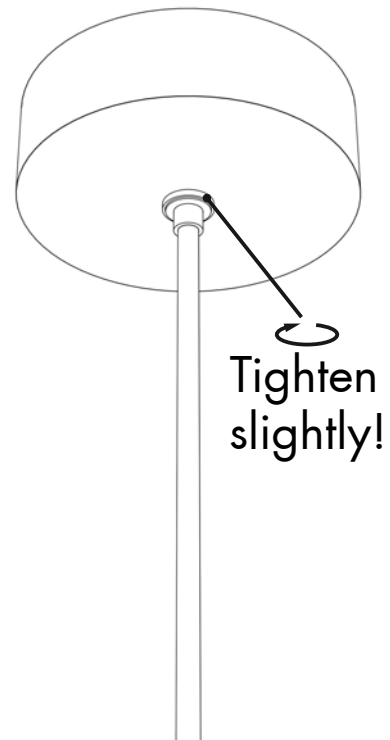
5.



6.

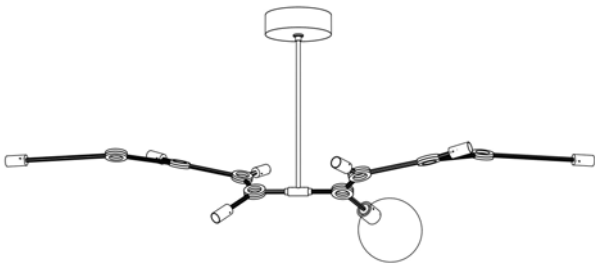


7.

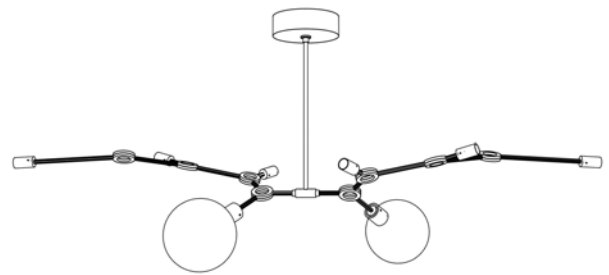


ORA Mounting instructions 2/2

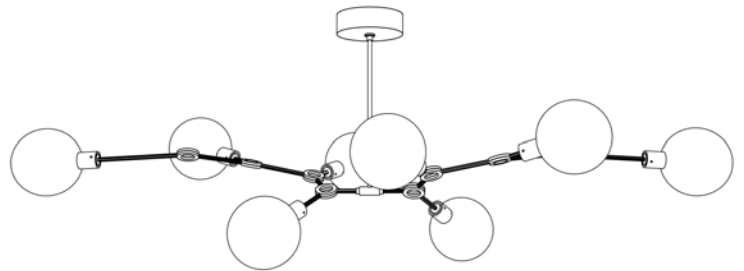
8.



9.



Alternate to mount the glass balls and start from the inside to the outside



Adjust the adjustable screws to the glass ball opening. There has to be a minimum of 1 mm distance between the metal and the glass



Screw in the lamp



Carefully apply the glass ball



Carefully fix loosely with the supplied knurled-head screw by hand. Do not use a screw driver. Do not screw too tight, ensure there is at least 1 mm tolerance between the glass and the screw

